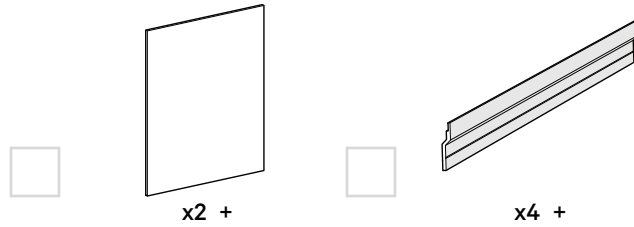


What's in the Box

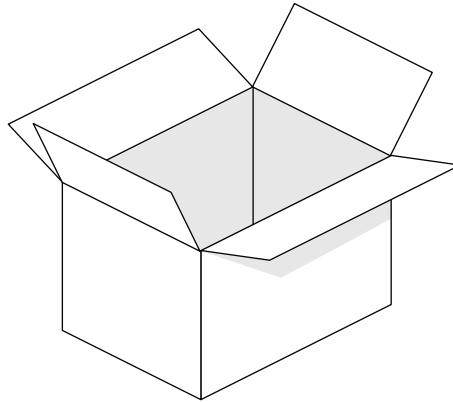
Dimension Stele LINXX



DMOL - DMIB - DMOR



Packed with Care by: _____

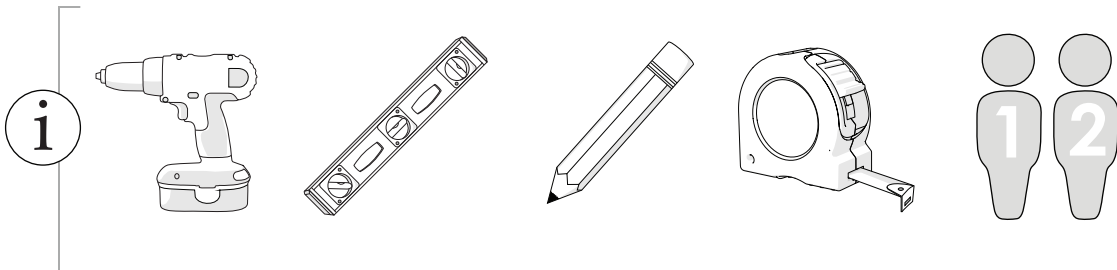
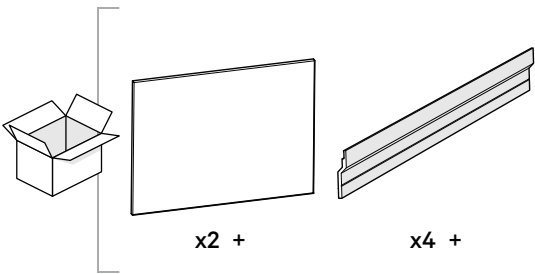
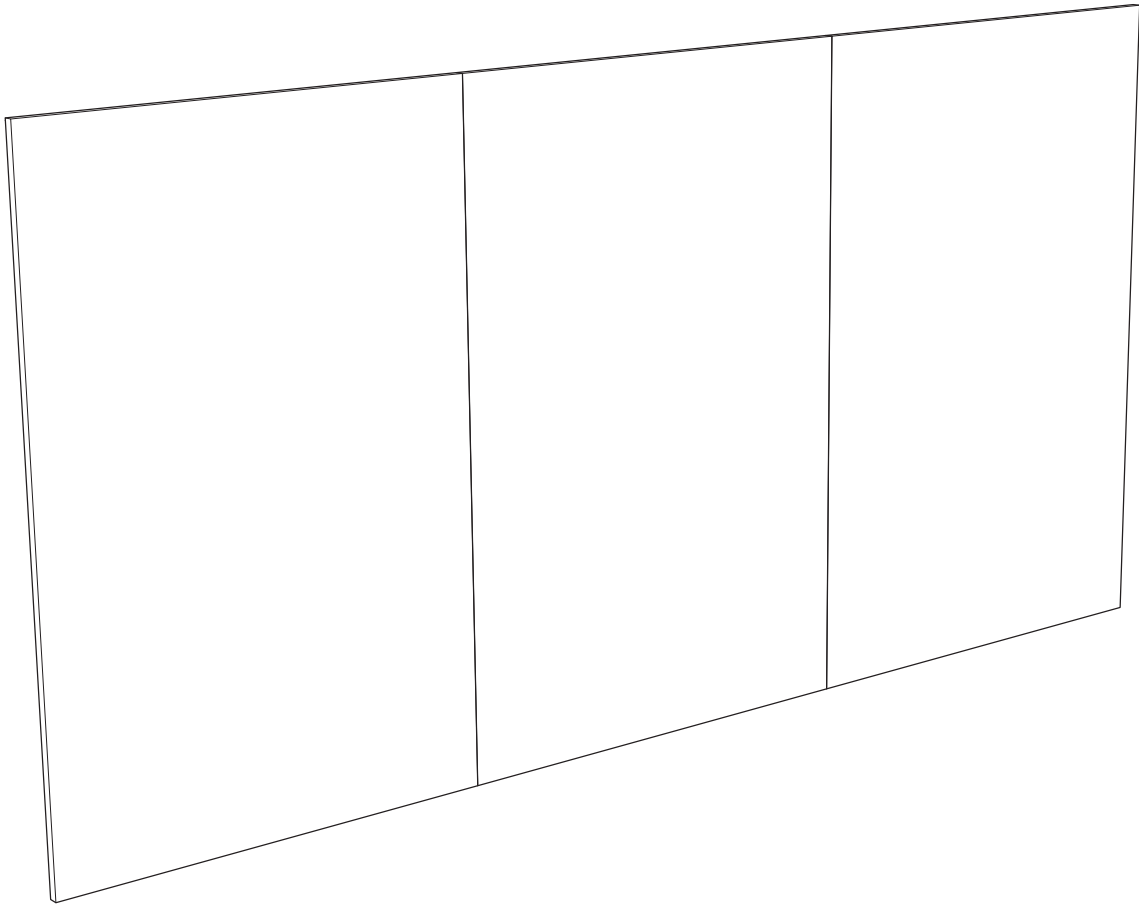


Assembly & Installation

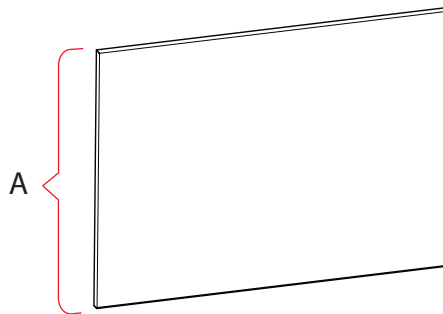
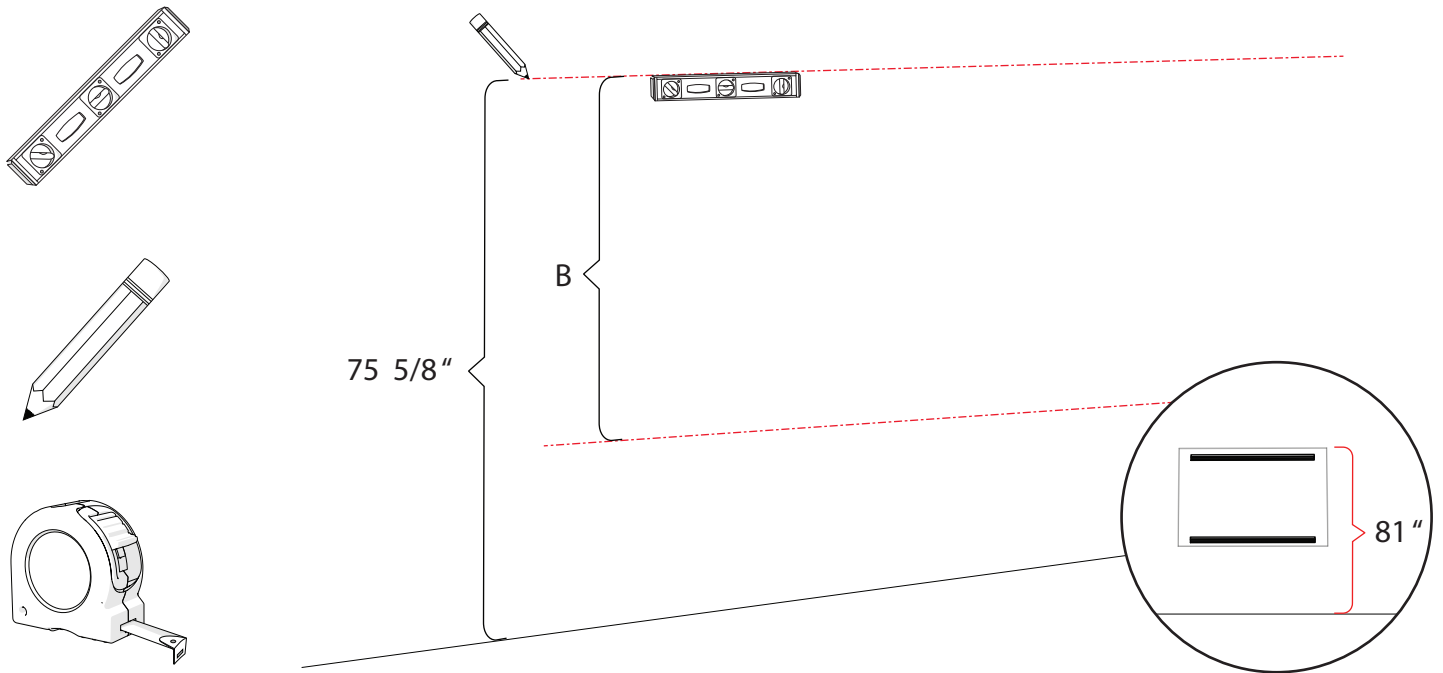
Dimension Stele LINXX



DMOL - DMIB - DMOR

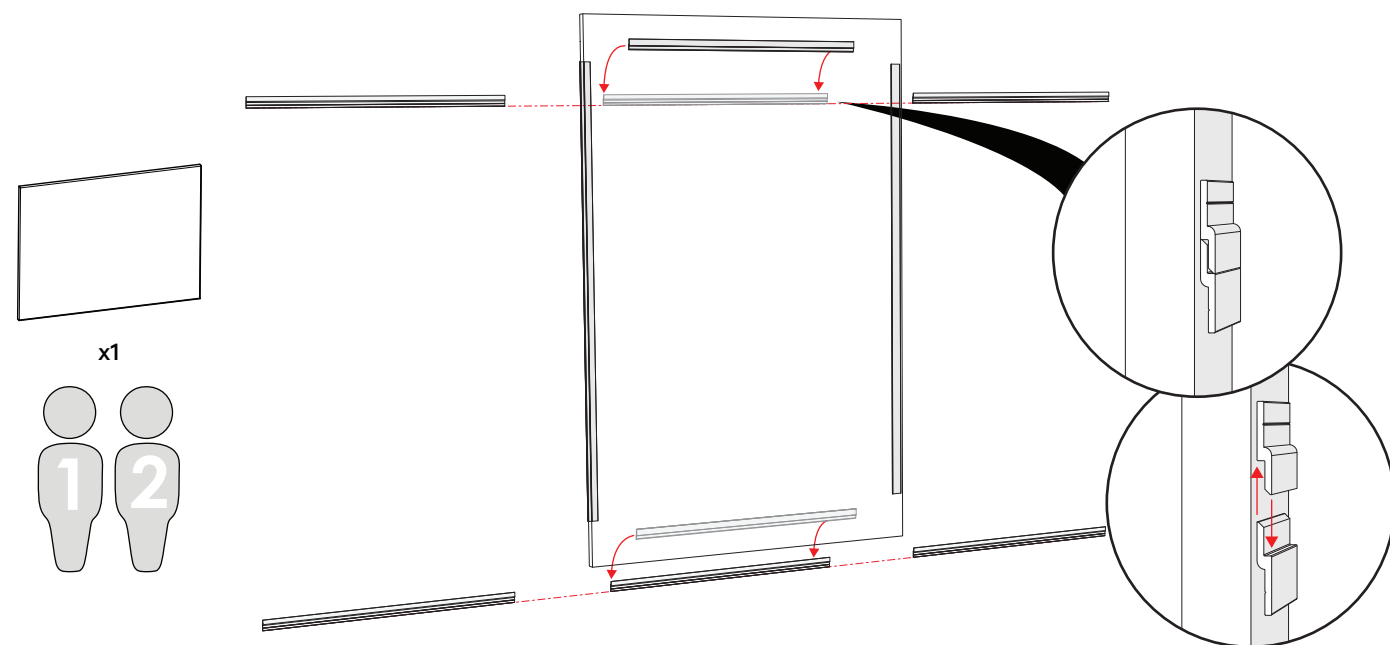
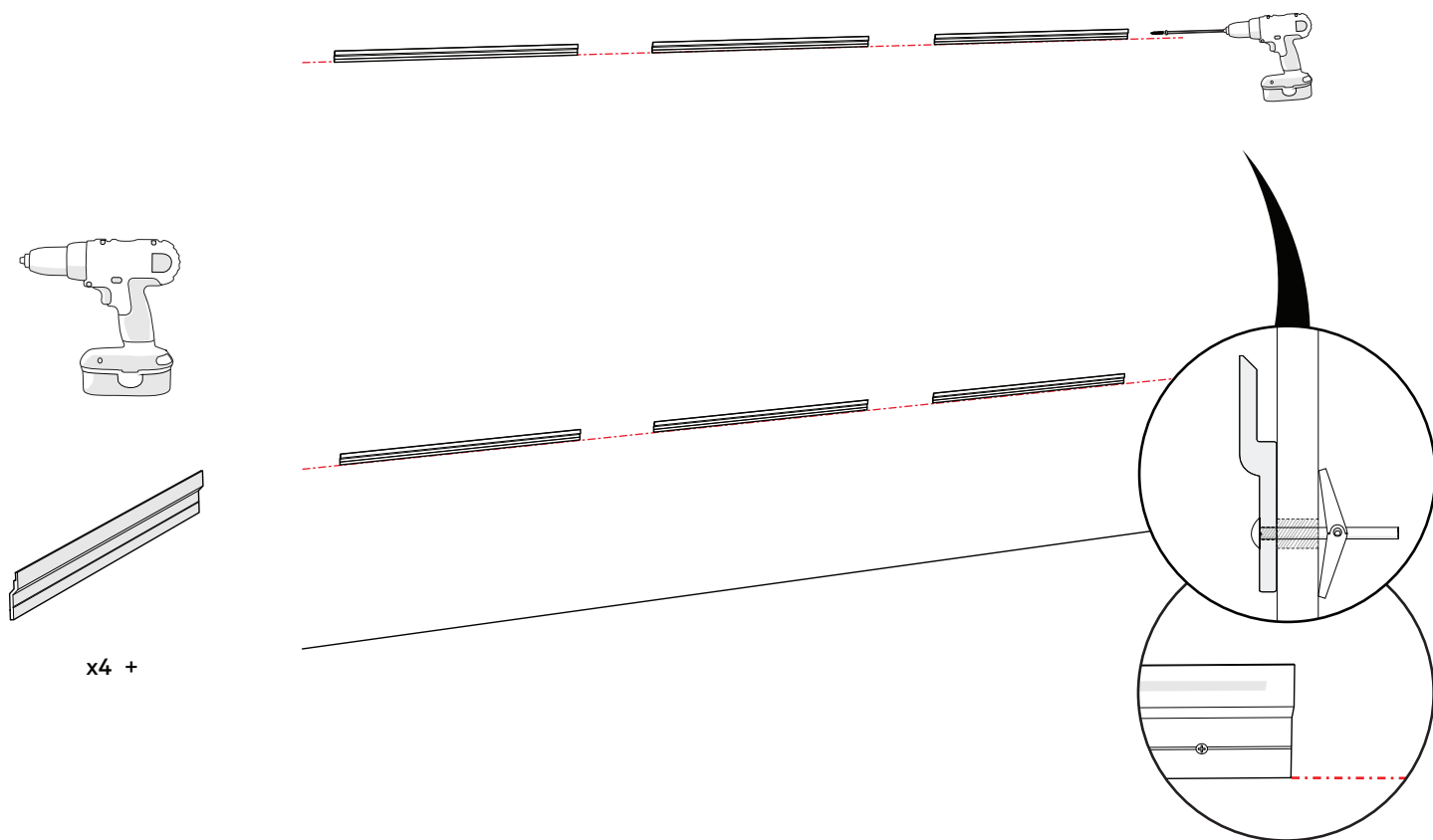


Assembly & Installation



$$(B) = (A) - 13 \frac{7}{16} "$$

Assembly & Installation



Assembly & Installation

