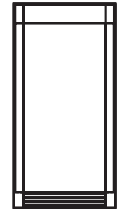


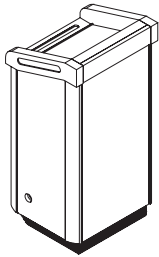
202 EganLectern

The Classic 'Front of House' lectern updated with the 202 design. Aluminum extrusions frame your choice of real wood veneer or durable Etex finish. Lockable storage and wiring grommets for field set-up of laptops, tablets and microphone. A 17° angled surface with a lip on the bottom is suitable for reference notes. Two casters on the presenter's side assure the lectern can only be moved by tipping the unit onto the casters. This design prevents 'run-away' when you lean upon the lectern.



S2LF

202 EganLectern (S2LF)



- Lower
- 1 3/4" ID. Grommets on both sides and top worksurface
- Finish Options: Model may be specified with different finish combinations. See Finish Options below for details

Finish Combinations

Code	Dimensions
S2LF	24"w x 48"h x 21"d

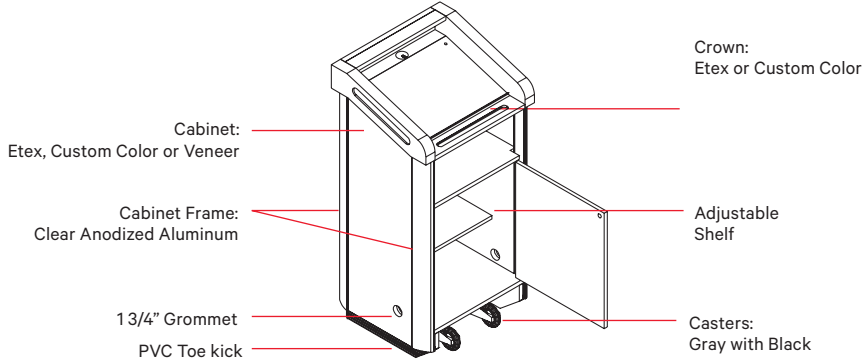
Crown	Lower Cabinet	Price
Etex	Etex	\$2 460
Etex*	Custom Color*	\$2 610
Same Custom Color		\$2 610
Custom Color†	Custom Color†	\$2 760
Etex	Veneer	\$3 440
Custom Color	Veneer	\$3 590

* Custom Color and Etex in any combination
 † Two Custom Colors in any combination
 • For Custom Stain add \$145

Lectern Options



Code	Price	Description
B	\$200	Light - 12" electric goose neck lamp complete with dimmer switch.
T	\$170	Clock - Liquid Crystal Display clock with front control buttons. The clock is flush-mounted in the top right corner of the crown support. Battery included.



Select An Etex Finish

EganMetallic	Black	Charcoal	Gray	Platinum	Putty	Sand	Slate	Taupe
EM	BL	CL	GR	PT	PY	SN	SL	TA



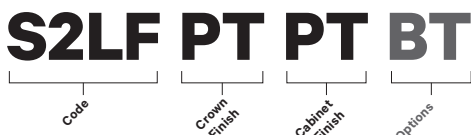
Select A Wood Veneer Finish

Light Oak	Medium Oak	Dark Oak	Black Oak
LO	MO	DO	BO

Cherry	Mahogany	Natural Maple	Walnut
CH	MA	MP	WA



How To Order:



Parcel Service items (📦) ship 'Freight Included'. Instant Ship products are identified by combining codes indicated in **RED**.