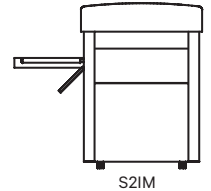


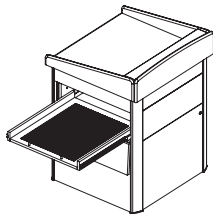
202 Mobile Instruction Center

202 Mobile Instruction Centers are technology-driven lecterns, well suited for specialized requirements. Shelf space accommodates computers and other presentation media equipment. A large drawer accommodates document cameras or overhead/data projectors. The S2IM is our most popular Custom Response product (see page 13).



S2IM

202 Mobile Instruction Center (S2IM)



Code	Dimensions
S2IM	34"w x 47 1/2"h x 32 1/2"d

Finish Combinations

Crown	Lower Cabinet	Price
Etex	Etex	\$5 590
Etex*	Custom Color*	\$5 750
	Same Custom Color	\$5 750
Custom Color†	Custom Color†	\$5 890
Etex	Veneer	\$7 430
Custom Color	Veneer	\$7 580

- Aluminum extrusion "bumper" corners to help prevent damage when moving
- The large worksurface provides ample space for a monitor and reference material
- The front panel opens for access to two, supplied 6-outlet powerstrips
- An articulating arm supports a keyboard and mouse pad
- Worksurface: 32"w x 25"d
- Drawer: 23 1/4"w x 8 1/4"h x 27"d
- Equipment Storage Area: 26"w x 20"h x 28"d (with 2 adjustable shelves)
- Grommets located on upper crown facing and bottom shelf with 2 1/4" ID

- For Custom Stain, add \$145.
- * Custom Color and Etex in any combination.
- † Two Custom Colors in any combination

Lectern Options



Code	Price	Description
B	\$200	Light - 12" electric goose neck lamp complete with dimmer switch.
T	\$170	Clock/Timer - Liquid Crystal Display clock/timer with front control buttons. The clock is flush-mounted in the top right corner of the crown support. Battery included.

Select An Etex Finish

EganMetallic	Black	Charcoal	Gray	Platinum	Putty	Sand	Slate	Taupe
EM	BL	CL	GR	PT	PY	SN	SL	TA



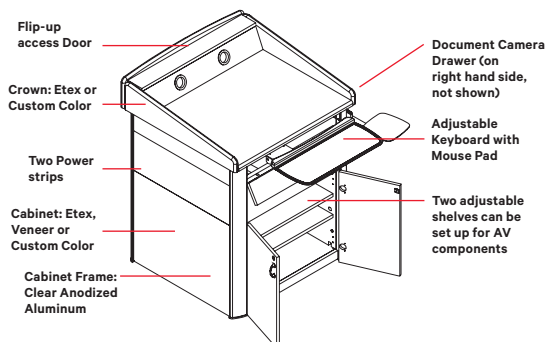
Select A Wood Veneer Finish

Light Oak	Medium Oak	Dark Oak	Black Oak
LO	MO	DO	BO

Cherry	Mahogany	Natural Maple	Walnut
CH	MA	MP	WA



How To Order:



S2IM CL PT BT

Code Crown Finish Body Finish Options

S2IM CC BO BT

Code Crown Finish Body Finish Options

S2IM CL CC BT

Code Crown Finish Body Finish Options

To specify S2IM with multiple finishes or colors please note:

- Both Crown (Top) and body require finish specifications
- Crown is available in Etex and Custom Color only
- Body (Base) is available in Etex, Custom Color, Wood Veneer and Custom Stain
- For Custom Color, specify your desired color
- Custom Color Plus is available on this product
- Custom applications of this product are very popular; see Custom Response (page 13)

Parcel Service items (📦) ship 'Freight Included'.
Instant Ship products are identified by combining codes indicated in RED.

