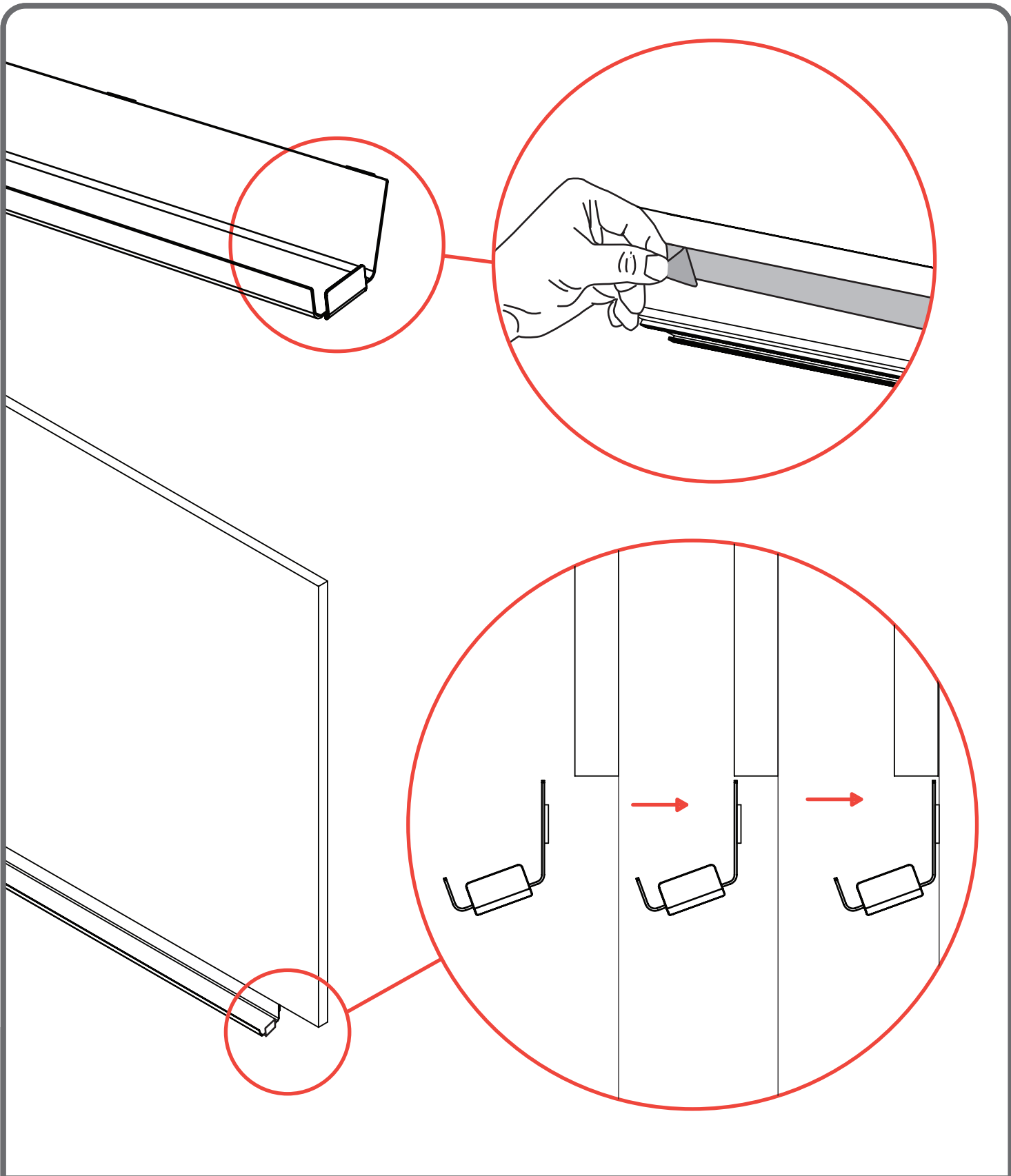


024H098 14/02/PDF © 2012 Egan ViewBoard Inc. Printed in Canada. Specifications are subject to change without notice.



PROPRIETARY AND CONFIDENTIAL:
 THE INFORMATION CONTAINED IN THIS DRAWING IS THE SOLE PROPERTY OF
 EGAN VISUAL INC. ANY REPRODUCTION IN PART OR AS A WHOLE WITHOUT
 THE WRITTEN PERMISSION OF EGAN VISUAL INC IS PROHIBITED.

ACDT Aluminum Tray for Dimension Boards



EGAN VISUAL INC.
 300 Hanlan Road
 Woodbridge, ON L4L 3P6

Tel: (905) 851-2826 Fax: (905) 851-3426
 (800) 263-2316 Email: evc@egan.com



PRODUCT CODE: --	MATERIAL: --	DRAWN BY: YB	DATE DRAWN: 11/01/2012
RMC: --	FINISH: --	APPROVED BY: --	DATE APPROVED: DD/MON/YY
NC CODE: --	DO NOT SCALE DRAWING	SCALE: NTS	UNITS: INCHES
GENERAL TOLERANCE: ± 0.010 UNLESS SPECIFIED OTHERWISE		DRAWING NO: 024H098(DIMENSION TRAY)	SHEET: 1 OF 1

