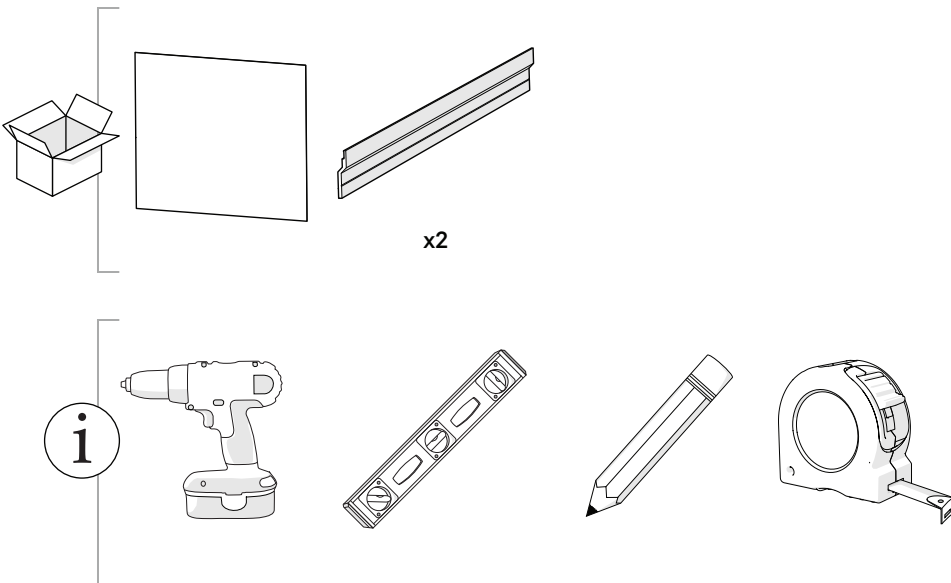
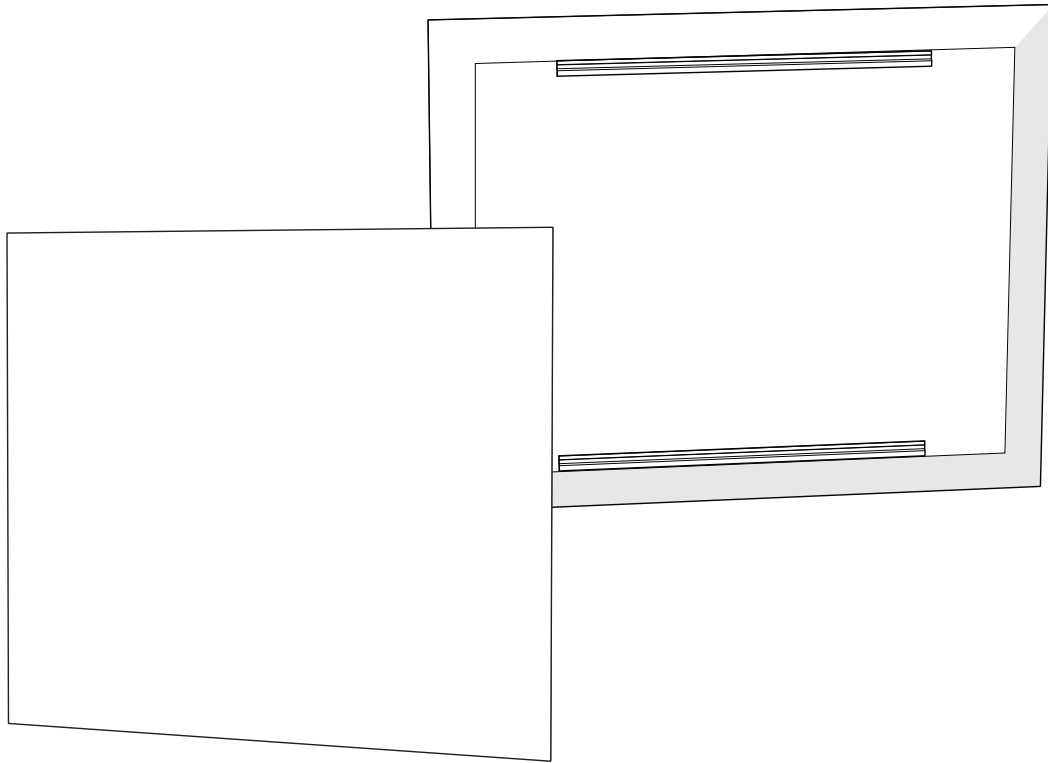


Assembly & Installation

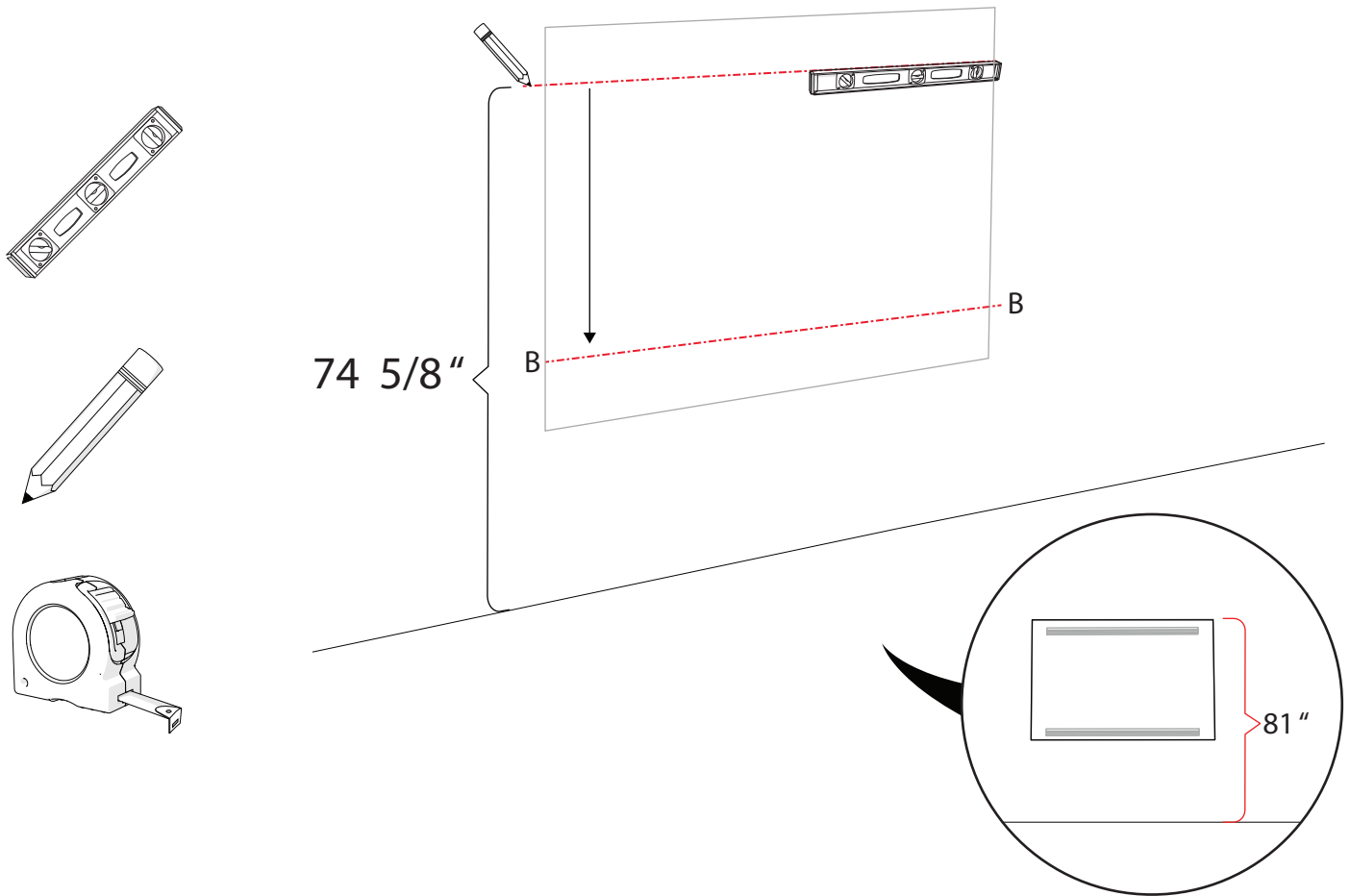
Dimension Stratus



DMS



Assembly & Installation



$$(B) = A - 8 \frac{7}{16}''$$

Assembly & Installation

