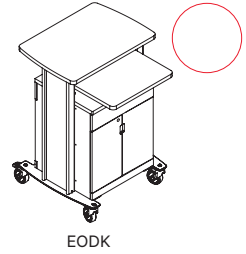


EganONE Dekke™

The EganONE Dekke™ starts with all the functionality of the EganONE Pro Cart™ and becomes a lectern-capable, standing-height collaboration center for small group impromptu sessions. Professional grade construction: Etex finish, robust and clean Clear Anodized (CA) aluminum verticals, laser-cut steel feet, and industrial strength, total-lock casters featuring a 220-lb weight rating per wheel.

Cabinet and drawer storage areas for binders, samples, and documents. Highly mobile, with its 4" diameter profiled wheels rolling easily across floor seams, small ridges, breaks, cables, elevator gaps, and other floor surface elements found in the modern or post-industrial workspace.

Technology capable: accomodates standard and short throw projectors. Inside, find an industry-standard AV rack with adjustable shelf. Additionally, the second or third decks can accommodate a laptop or keyboard as required. Front and back access doors provide easy access to equipment.



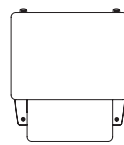
EODK

EganONE Dekke (EODK)

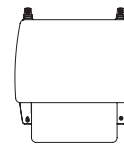
Code	Dimensions	Price	CC Etex finish per color
EODK	28 1/4"w x 41 1/4"h x 29 3/4"d	\$3 050	\$190

Top Configuration

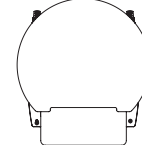
Code	Description
RE	Rectangular
CU	Curved
SE	Secanted Circle
CI	Circular



RE



CU



SE



CI

Etex Finish

EganMetallic	Black	Charcoal	Gray	Platinum	Putty	Sand	Slate	Taupe
EM	BL	CL	GR	PT	PY	SN	SL	TA



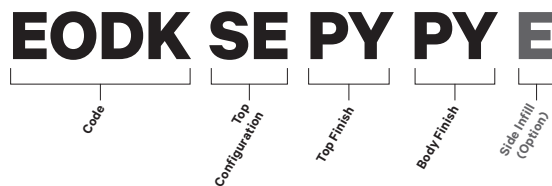
Custom Color

Side Infill

Code	Description	Price
E	EVS ¹	\$95
P	Etex Panel	\$0

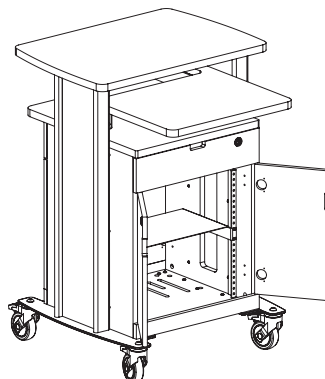
¹ Magnet-compatible

How To Order:



Product Notes:

- Standard: lock on the drawer and cabinet, 4" total lock casters, 19" industry standard AV rack with one (1) shelf
- Top, Body and Infill Finish can be specified as separate standard Etex colors at no upcharge
- Custom Top Configurations available in our Custom Response Program



Parcel Service items (📦) ship 'Freight Included'. Instant Ship products are identified by combining codes indicated in **RED**.