

EganONE Pro Cart™

The EganONE design intent contemplates a small plurality of people working together temporarily as they collaborate to achieve one unified voice or vision going forward. EganONE products carry a modern, slightly industrial look and design, characterized by Etex and anodized aluminum features. The EganONE Pro Cart™ brings you all the functionality you want in one cart.



EOPC

Professional Grade construction: Etex finish, robust and clean Clear Anodized (CA) aluminum verticals, laser-cut steel feet, and industrial strength, total-lock casters featuring a 220 lb weight rating per wheel.

Project Cart capable: cabinet and drawer storage areas for binders, samples, and documents.

Projector Cart capable: accomodates standard, short throw, and ultra-short throw projectors, which can be secured through the top.

EganONE Pro Cart (EOPC)

Code	Dimensions	Price	CC Etex finish per color
EOPC	28 1/4" w x 30 1/4" h x 26" d	\$2 380	\$145

Etex Finish

EganMetallic	Black	Charcoal	Gray	Platinum	Putty	Sand	Slate	Taupe
EM	BL	CL	GR	PT	PY	SN	SL	TA



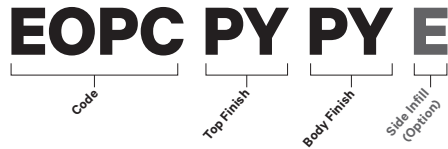
Custom Color

Side Infill

Code	Description	Price
E	EVS ¹	\$85
P	Etex Panel	\$0

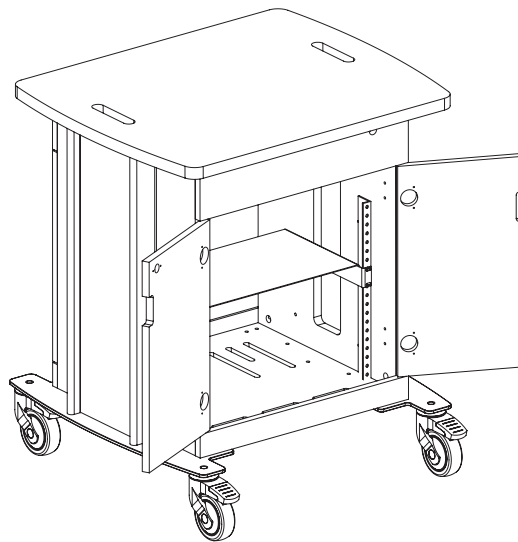
¹ Magnet-compatible

How To Order:



Product Notes:

- Standard: lock on the drawer and cabinet, 4" total lock casters, 19" industry standard AV rack with one shelf
- Top, Body and Side Finish can be specified as separate standard Etex colors at no upcharge
- Product ships fully assembled



Parcel Service items (📦) ship 'Freight Included'.
Instant Ship products are identified by combining codes indicated in **RED**.

