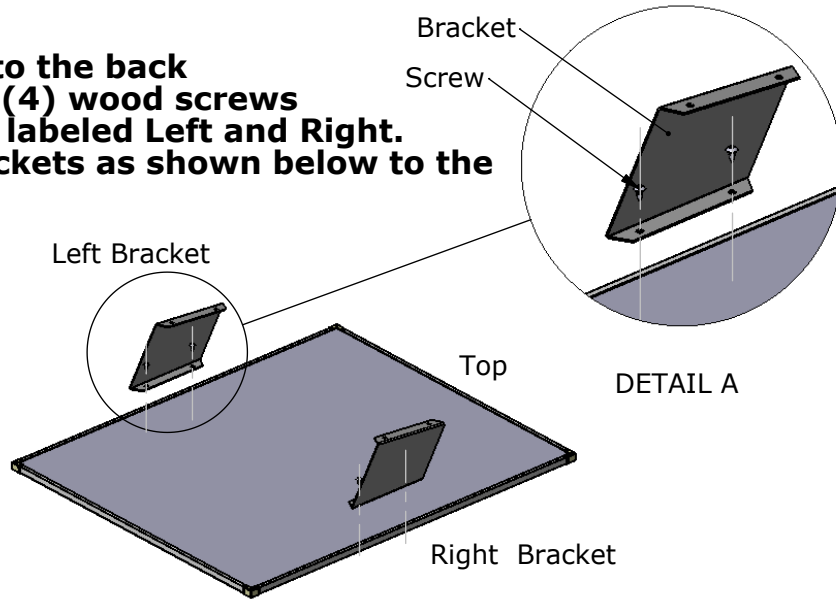


# Flipchart Assembly

**EGAN**

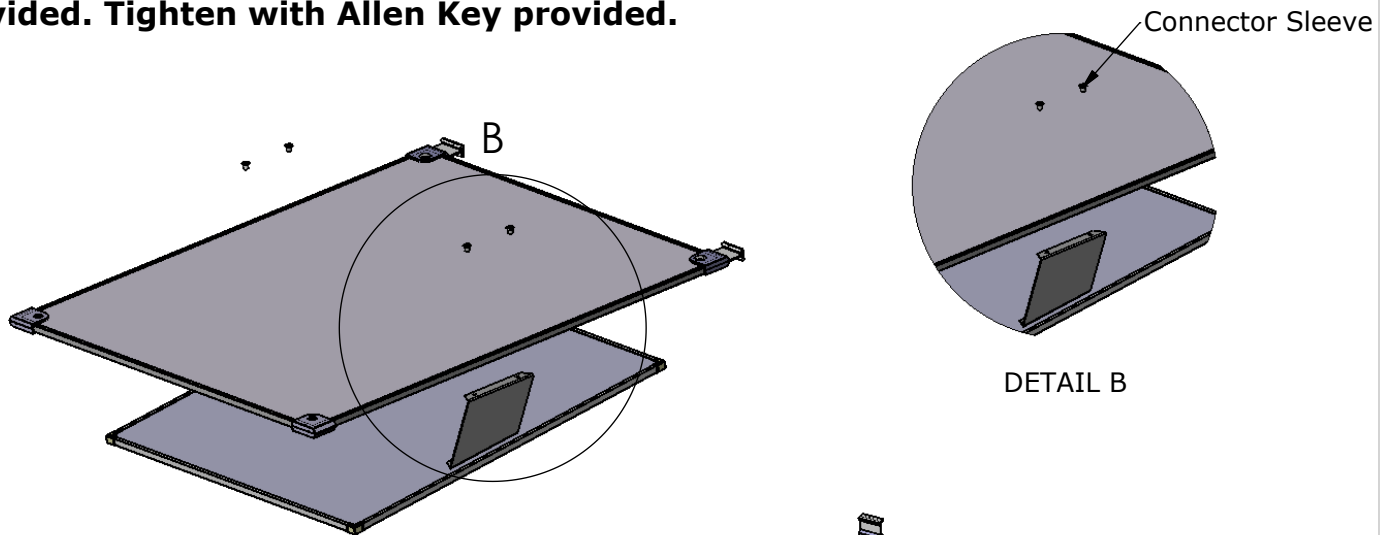
## Step 1

**Attach joiner brackets to the back of the front board with (4) wood screws provided. Brackets are labeled Left and Right. Please position the brackets as shown below to the top of the board.**



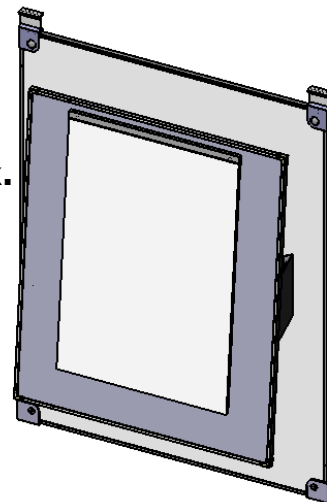
## Step 2

**Position Back board onto the front board as shown below. Connect the two boards together with the 1/4-20 bolts and connector sleeve provided. Tighten with Allen Key provided.**



## Step 3

**Hang flipchart assembly onto Egan System Track.**



Comments  
or  
Questions?

CALL US!

USA  
&  
CANADA : 1-800-263-2387