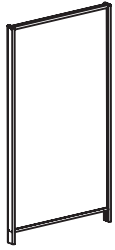


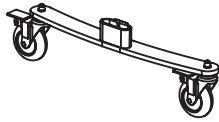
Egan Lite Mobile

4-Point Base Installation Instruction

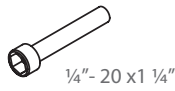
VLF



1x



2x



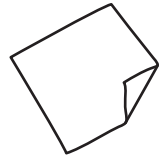
2x



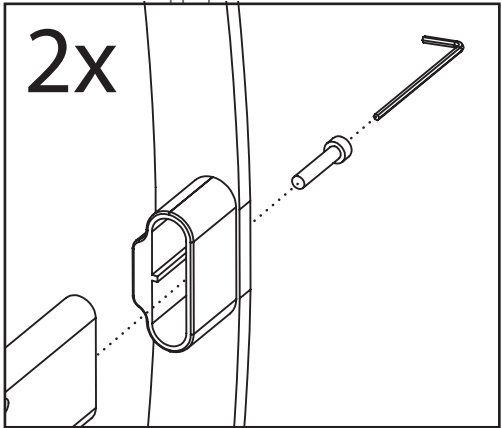
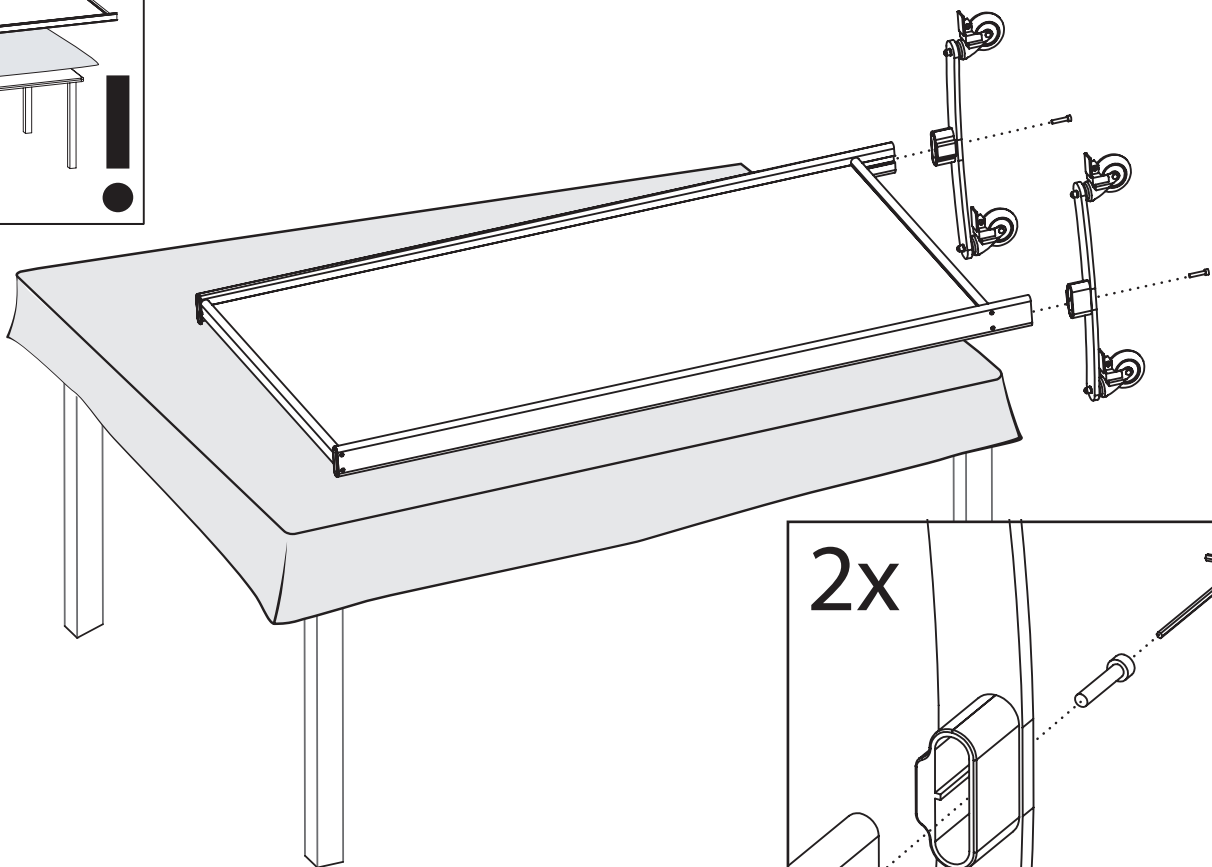
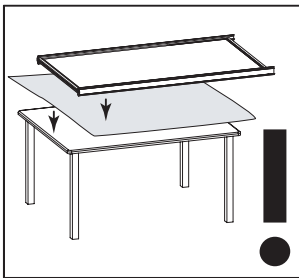
1x



2x



1x



Production/Quality Control Sign-Off

Name: _____ Signature: _____

Name: _____ Signature: _____



<http://goo.gl/uOnwL>