

1

2

3

4

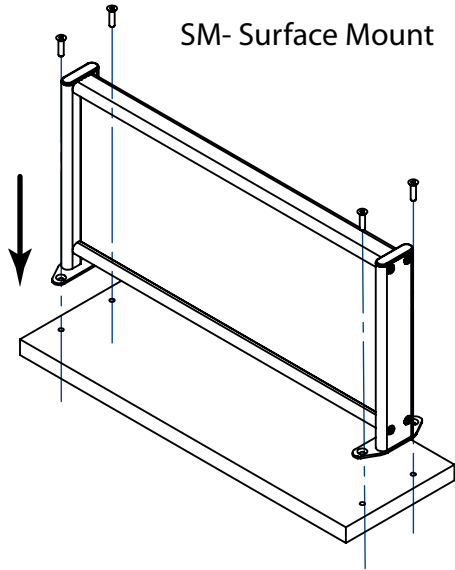
5

C

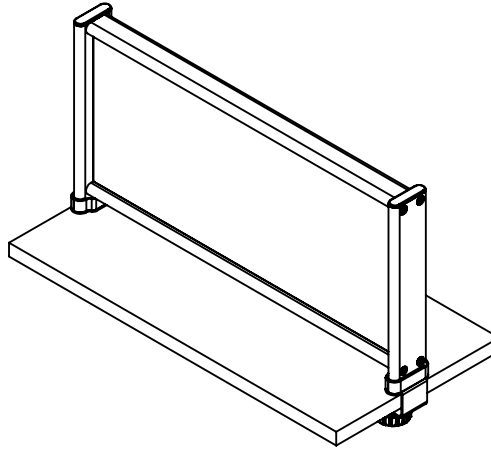
B

A

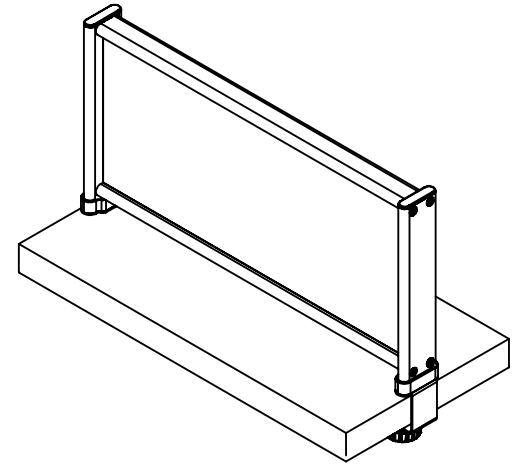
SM- Surface Mount



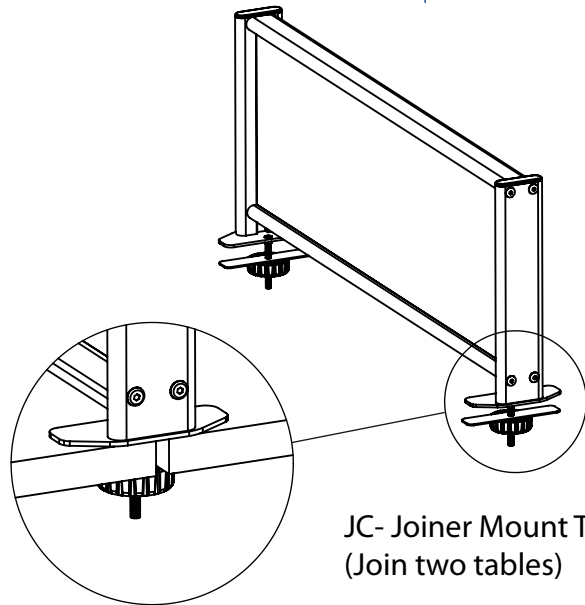
C1- Cross Table Clamp  
(7/8" - 1 1/8" table thickness)



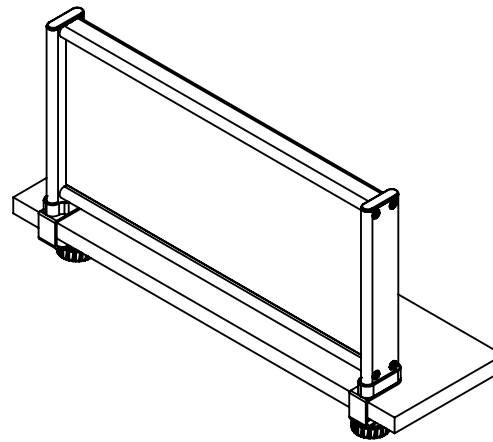
C2- Cross Table Clamp  
(1 1/8" - 1 1/2" table thickness)



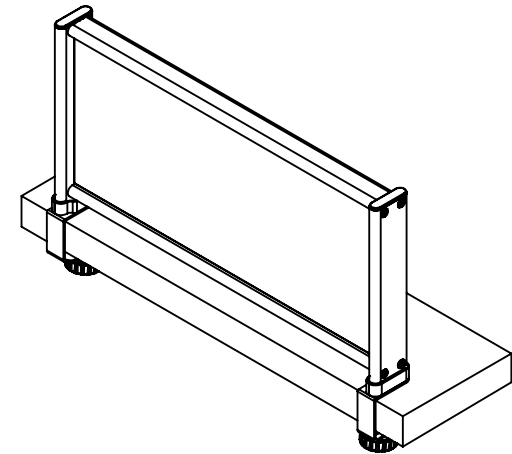
JC- Joiner Mount Table Clamp  
(Join two tables)




E1- Edge Mount Table Clamp  
(7/8" - 1 1/8" table thickness)



E2- Edge Mount Table Clamp  
(1 1/8" - 1 1/2" table thickness)



--	--	DD/MON/YY	--
R1	YB	21/11/2013	Changed table thickness and added Joiner mount option
REVISION	INITIALS	DATE	REVISION DESCRIPTION
<p>PROPRIETARY AND CONFIDENTIAL: THE INFORMATION CONTAINED IN THIS DRAWING IS THE SOLE PROPERTY OF EGAN VISUAL INC. ANY REPRODUCTION IN PART OR AS A WHOLE WITHOUT THE WRITTEN PERMISSION OF EGAN VISUAL INC IS PROHIBITED.</p>			
 <p>EGAN VISUAL INC. 300 Hanlan Road Woodbridge, ON L4L 3P6</p> <p>Tel: (905) 851-2826 (800) 263-2316</p> <p>Fax: (905) 851-3426 Email: evc@egan.com</p>		<p>M-Series TableScreens - Mounting Options</p> <p>PRODUCT CODE: -- MATERIAL: -- DRAWN BY: mc DATE DRAWN: 07/12/12</p> <p>RMC: -- FINISH: -- APPROVED BY: -- DATE APPROVED: DD/MON/YY</p> <p>NC CODE: -- DO NOT SCALE DRAWING SCALE: 1:10 UNITS: INCHES SHEET: 1 OF 1</p> <p>GENERAL TOLERANCE: ± 0.010 UNLESS SPECIFIED OTHERWISE DRAWING NO: M-Series Mount Options</p>	

