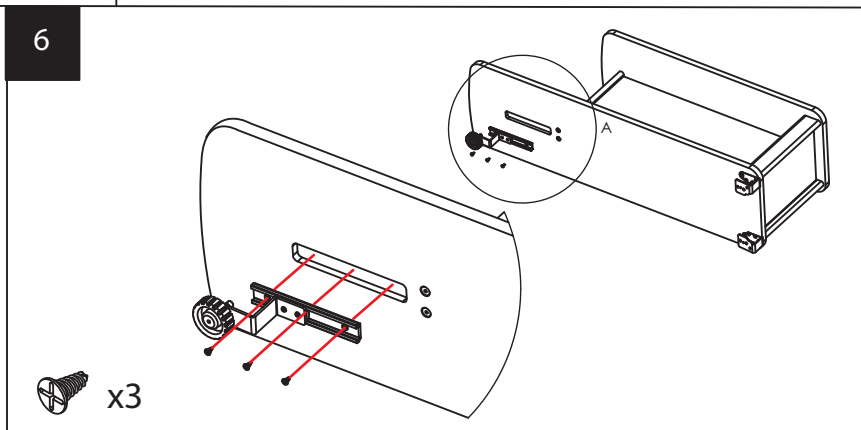
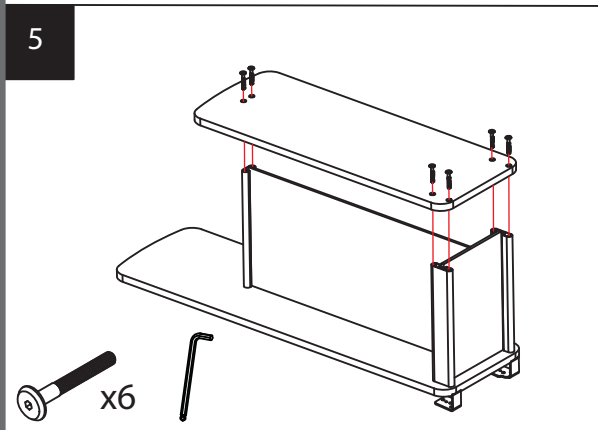
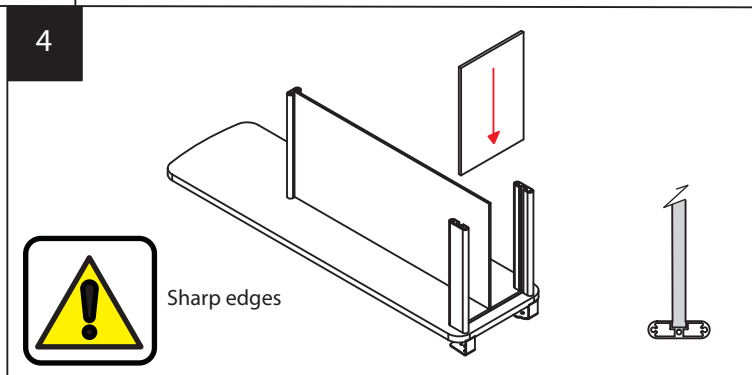
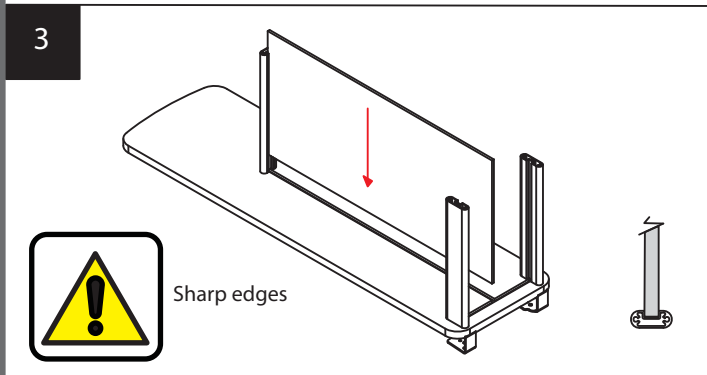
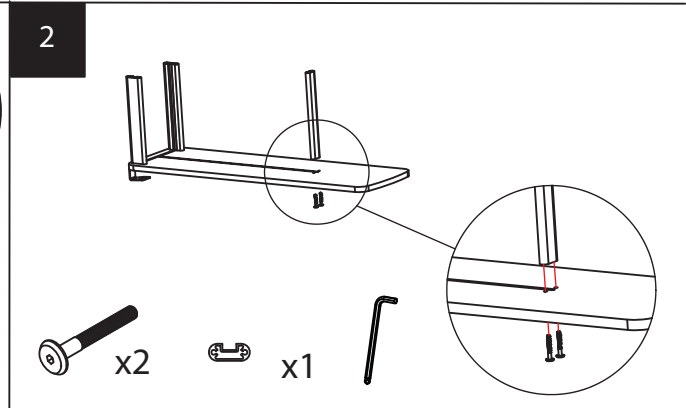
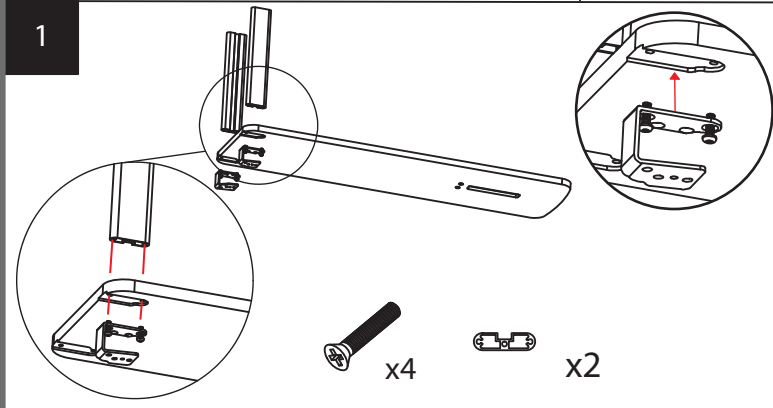
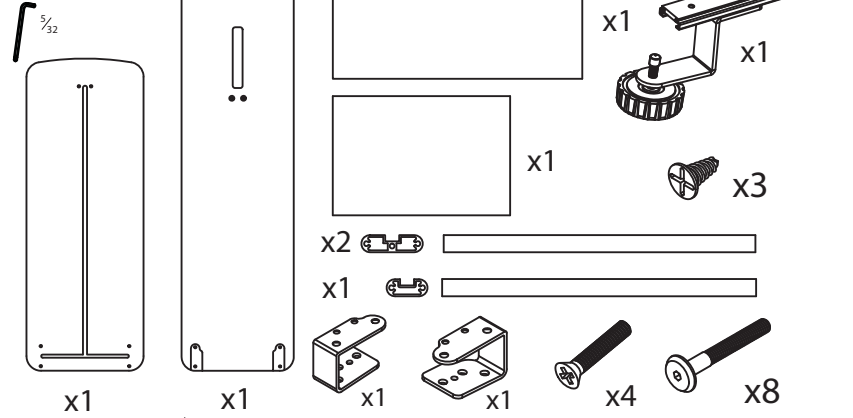


Tools Req.
#2 Phillips Screwdriver



PROPRIETARY AND CONFIDENTIAL:
THE INFORMATION CONTAINED IN THIS DRAWING IS THE SOLE PROPERTY OF
EGAN VISUAL INC. ANY REPRODUCTION IN PART OR AS A WHOLE WITHOUT
THE WRITTEN PERMISSION OF EGAN VISUAL INC IS PROHIBITED.



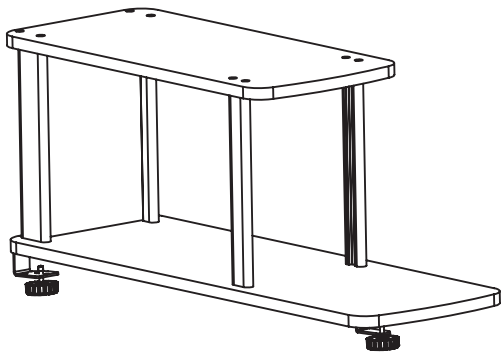
EGAN VISUAL INC.
300 Hanlan Road
Woodbridge, ON L4L 3P6

Tel: (905) 851-2826 Fax: (905) 851-3426
(800) 263-2316 Email: evc@egan.com



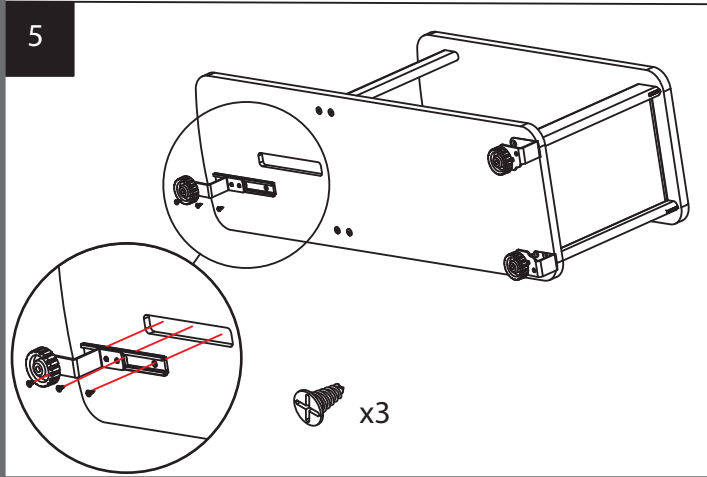
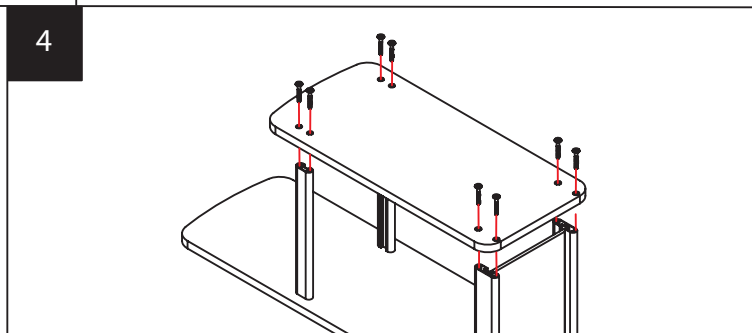
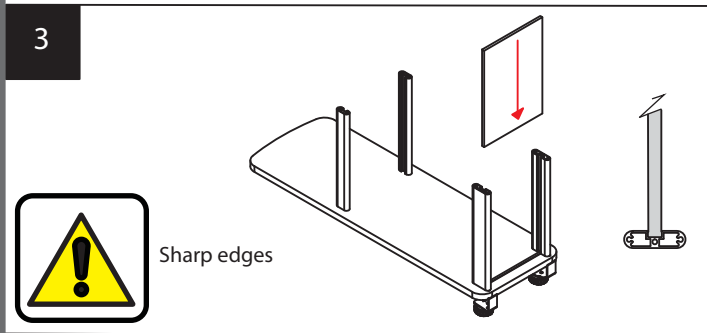
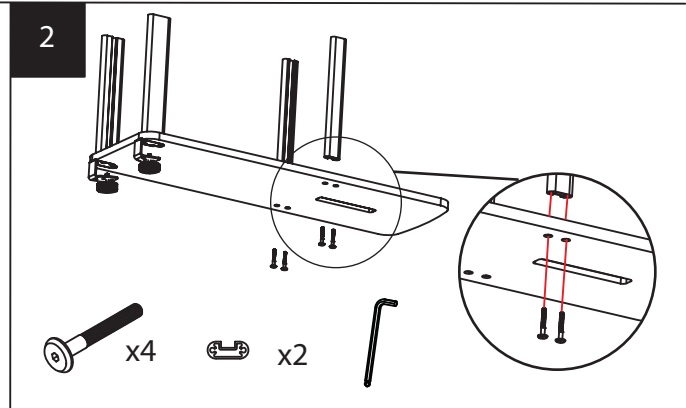
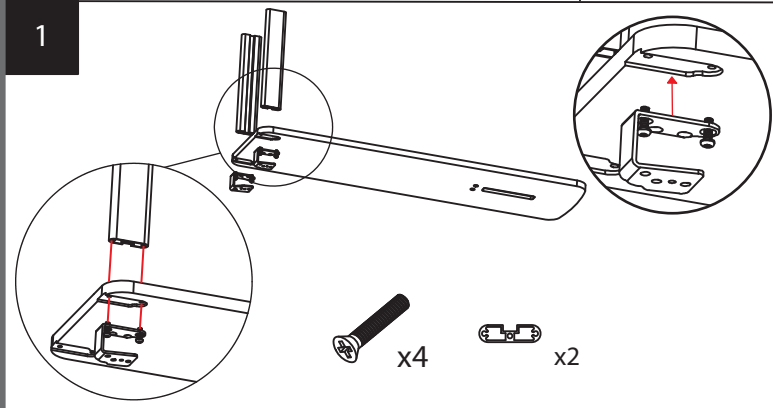
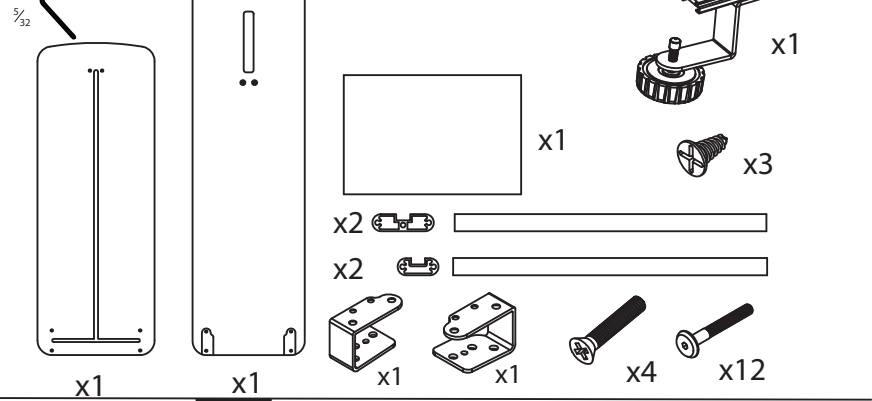
PRODUCT CODE: OM3P	MATERIAL: --	DRAWN BY: JD	DATE DRAWN: 15/08/2012
RMC: --	FINISH: --	APPROVED BY: --	DATE APPROVED: DD/MON/YY
NC CODE: --	DO NOT SCALE DRAWING	SCALE: NTS	UNITS: --
GENERAL TOLERANCE: ±0.15 UNLESS SPECIFIED OTHERWISE		DRAWING NO: OM3P	SHEET: 1 OF 2

024H119_R1_15/08/PDF © 2012 Egan TeamBoard Inc. Printed in Canada. Specifications are subject to change without notice.



Tools Req.

#2 Philips Screwdriver



PROPRIETARY AND CONFIDENTIAL:
 THE INFORMATION CONTAINED IN THIS DRAWING IS THE SOLE PROPERTY OF
 EGAN VISUAL INC. ANY REPRODUCTION IN PART OR AS A WHOLE WITHOUT
 THE WRITTEN PERMISSION OF EGAN VISUAL INC IS PROHIBITED.



EGAN VISUAL INC.
 300 Hanlan Road
 Woodbridge, ON L4L 3P6

Tel: (905) 851-2826 Fax: (905) 851-3426
 (800) 263-2316 Email: evc@egan.com



Mezzanine 4 Post Assembly WI-0310 Rev 1

PRODUCT CODE: OM4P	MATERIAL: --	DRAWN BY: JD	DATE DRAWN: 15/08/2012
RMC: --	FINISH: --	APPROVED BY: --	DATE APPROVED: DD/MON/YY
NC CODE: --	DO NOT SCALE DRAWING	SCALE: NTS	UNITS: --
GENERAL TOLERANCE: ±0.15 UNLESS SPECIFIED OTHERWISE		DRAWING NO: OM4P	SHEET: 1 OF 2