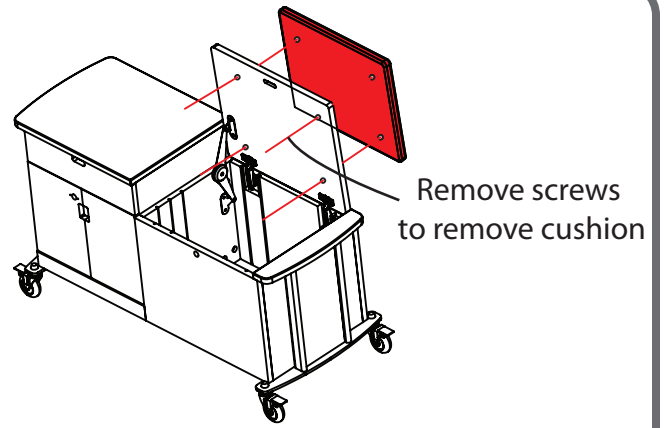
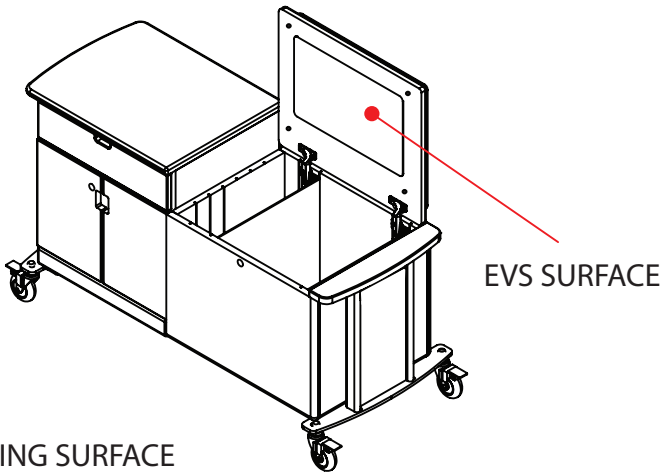


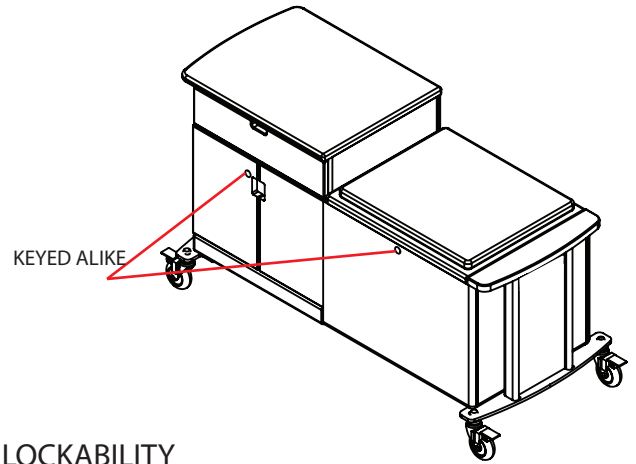
LOCKING CASTERS



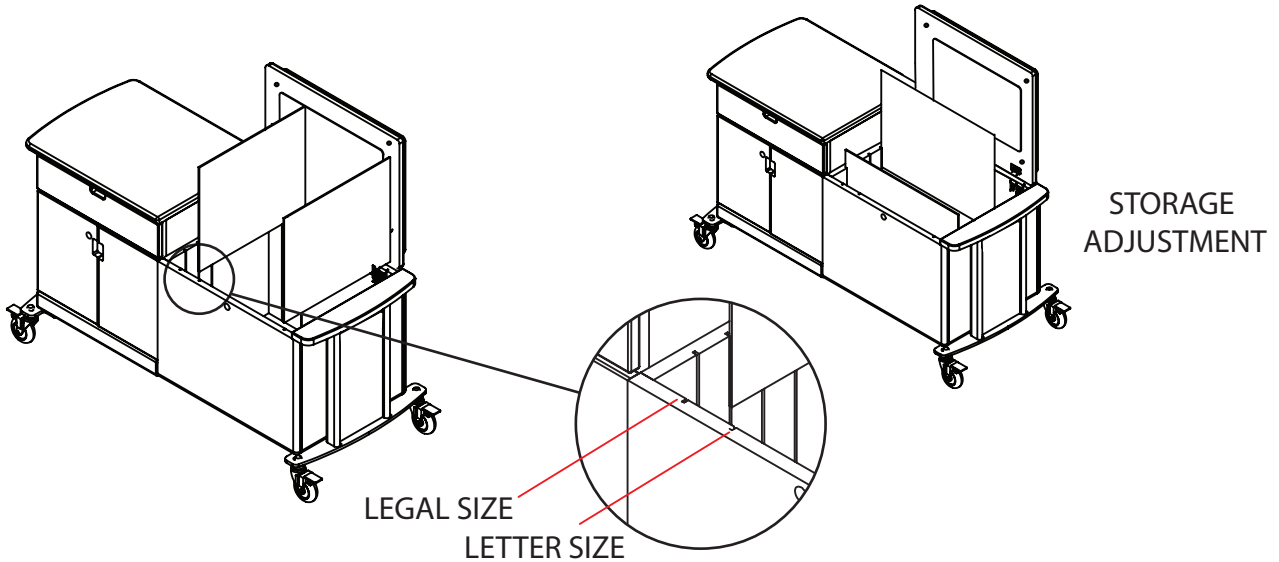
REMOVABLE CUSHION



WRITING SURFACE



LOCKABILITY



DIVIDER FUNCTIONS

PROPRIETARY AND CONFIDENTIAL:
THE INFORMATION CONTAINED IN THIS DRAWING IS THE SOLE PROPERTY OF
EGAN VISUAL INC. ANY REPRODUCTION IN PART OR AS A WHOLE WITHOUT
THE WRITTEN PERMISSION OF EGAN VISUAL INC IS PROHIBITED.

MyTEU FUNCTIONS

EGAN VISUAL INC.
300 Hanlan Road
Woodbridge, ON L4L 3P6
Tel: (905) 851-2826 Fax: (905) 851-3426
(800) 263-2316 Email: evc@egan.com



| | | | |
|---|----------------------|-----------------|--------------------------|
| PRODUCT CODE: -- | MATERIAL: -- | DRAWN BY: JD | DATE DRAWN: 18/06/2012 |
| RMC: -- | FINISH: -- | APPROVED BY: JW | DATE APPROVED: DD/MON/YY |
| INC CODE: -- | DO NOT SCALE DRAWING | SCALE: NTS | UNITS: -- SHEET: 1 OF 1 |
| GENERAL TOLERANCE: UNLESS SPECIFIED OTHERWISE | | DRAWING NO: | |

