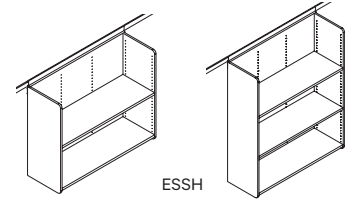
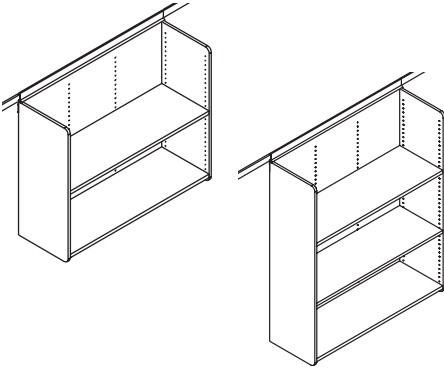


# Shelving

EganSystem Office Shelving is a unique track solution designed with a continuous track hanger that runs across the width of the product to evenly distribute weight to safely support the shelves and cabinets. The hanger slides easily across the track for quick, simple re-configuration. With GripTrack (GT) and EganSystem Security Locks (QB), shelves are prevented from unwanted movement.



## EganSystem Office Shelving (ESSH)



Code	Dimensions	Price
<b>One fixed shelf (not shown)</b>		
ESSH361	36" w x 16" h x 12 1/2" d	\$590
ESSH421	42" w x 16" h x 12 1/2" d	\$620
ESSH481	48" w x 16" h x 12 1/2" d	\$680
<b>One fixed, one adjustable shelf</b>		
ESSH362	36" w x 29" h x 12 1/2" d	\$710
ESSH422	42" w x 29" h x 12 1/2" d	\$750
ESSH482	48" w x 29" h x 12 1/2" d	\$790
<b>One fixed, two adjustable shelves</b>		
ESSH363	36" w x 43" h x 12 1/2" d	\$830
ESSH423	42" w x 43" h x 12 1/2" d	\$890
ESSH483	48" w x 43" h x 12 1/2" d	\$960

- Meets California State 2001 building code, section 1632A. See below for details
- Shelves adjustable on 1 1/4" centers, bottom shelf fixed
- GripTrack required for Security Lock option. Maximum load: 60 lbs./shelf
- Supported from recommended 81" high SystemTrack or GripTrack
- Shelves can be repositioned anywhere along the track
- Orders for under six (6) units are shipped 'knocked-down', assembly required
- The optional Security Lock is a patent pending device that prevents the shelf or cabinet from lifting off the GripTrack under seismic activity. See bottom of this page for installation details

## Select An Etext Finish

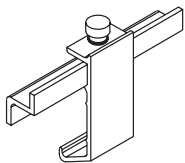
EganMetallic	Black	Charcoal	Gray	Platinum	Putty	Sand	Slate	Taupe
EM	BL	CL	GR	PT	PY	SN	SL	TA



## How To Order:

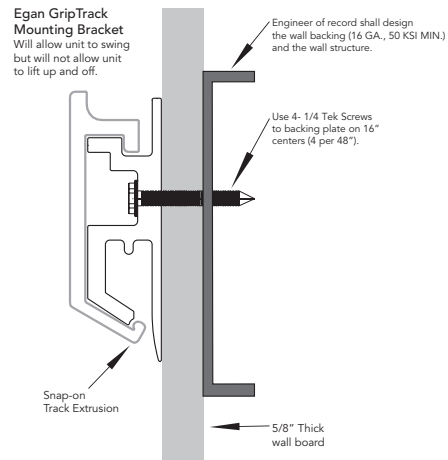


## EganSystem Security Lock (QB)



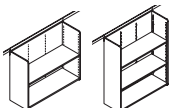
Code	Description	Price
QB	Security Locks for product security. One (1) pair.	\$95

- Egan Security Locks are designed to lock single units or a series of EganSystem Office products to the track. Great for security and to prevent shelves from lifting up and off the track. Requires GripTrack



### Product Notes:

- EganSystem Office Shelves ESSH codes are approved for wall mounting in accordance with California State 2001 building code section 1632A when installed Egan GripTrack as per California State OSHPD standards
- For Custom Color, add 15%. \$145 minimum



Parcel Service items (📦) ship 'Freight Included'. Instant Ship products are identified by combining codes indicated in **RED**.