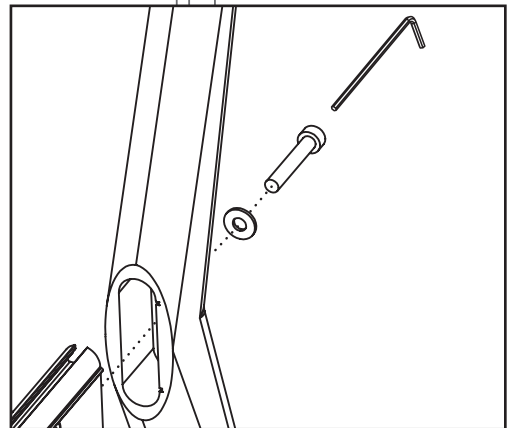
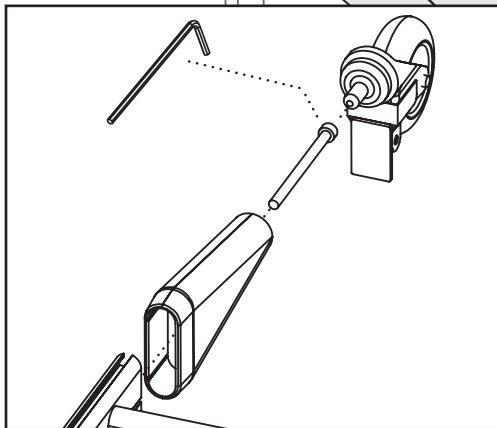
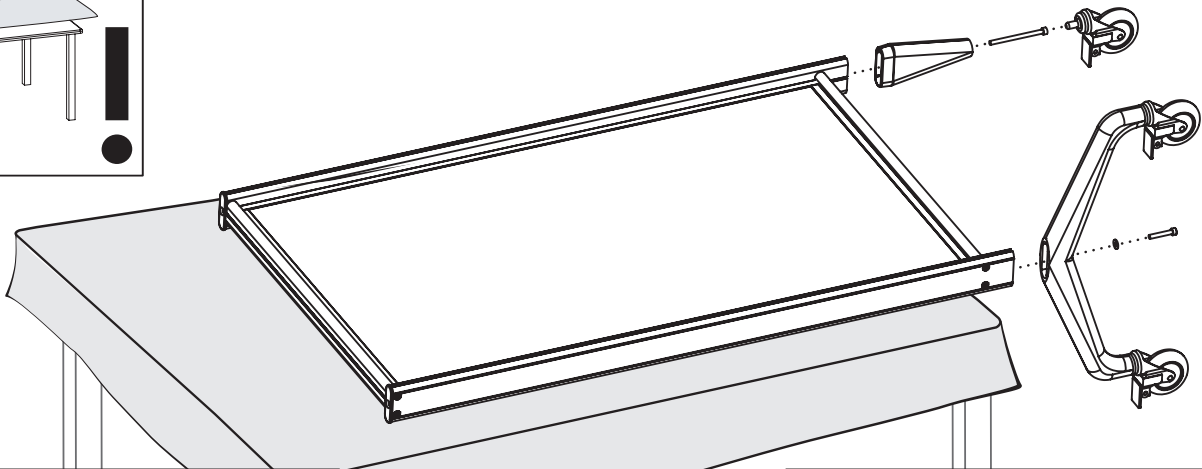
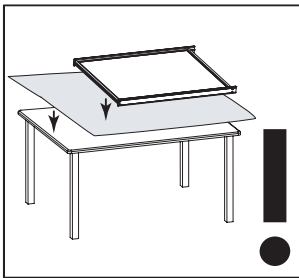
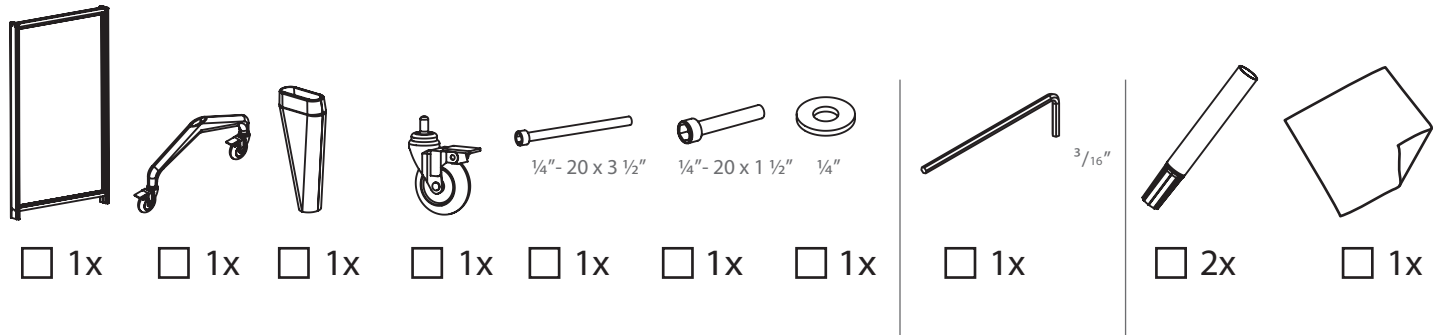


V-Series Mobiles

3-Point Base Installation Instruction

VST, VCT



Production/Quality Control Sign-Off

Name: _____ Signature: _____

Name: _____ Signature: _____



<http://goo.gl/Jcufk>