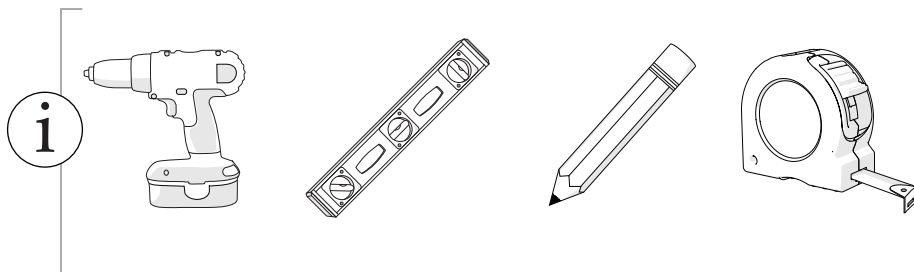
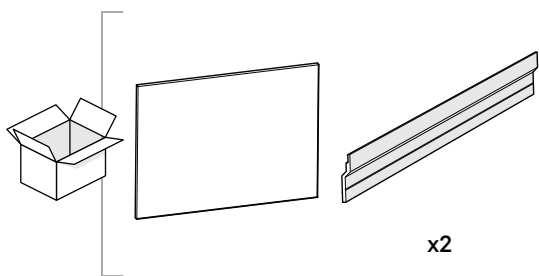
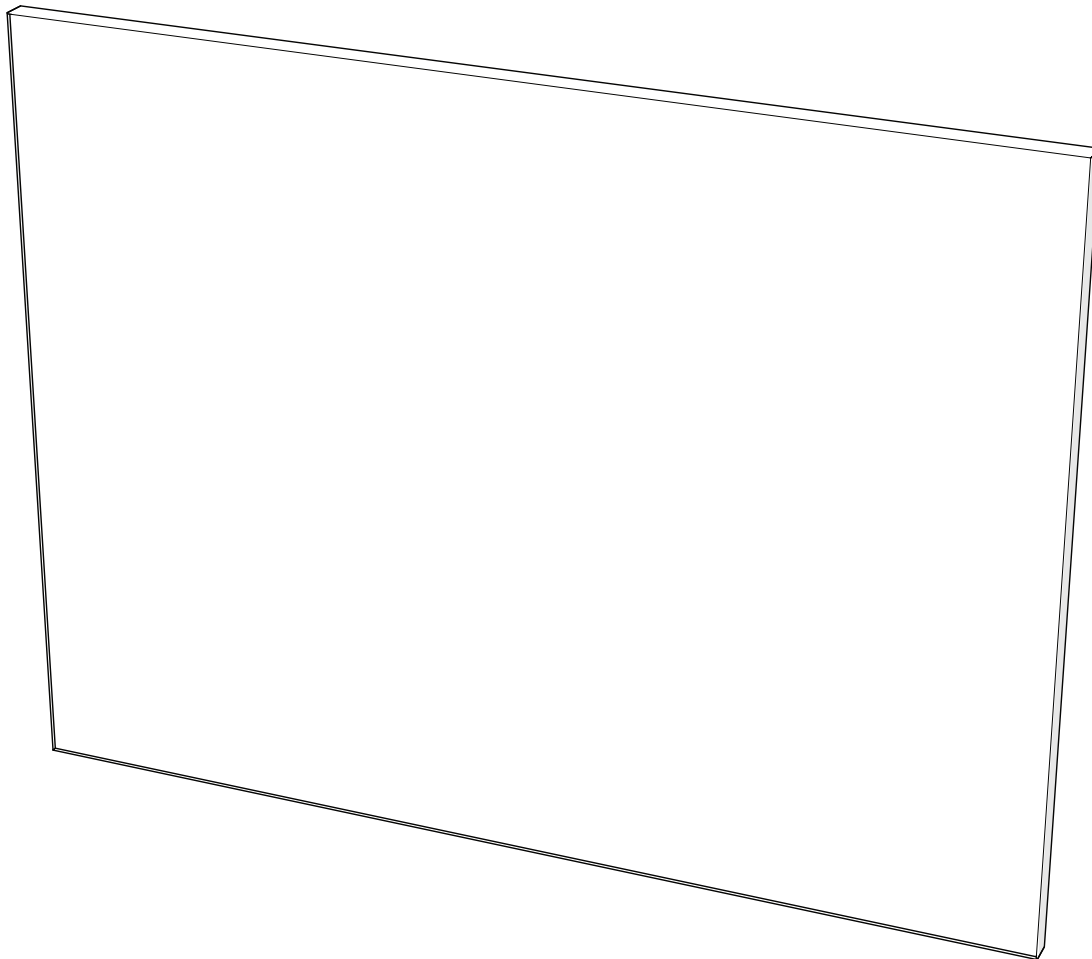


Assembly & Installation

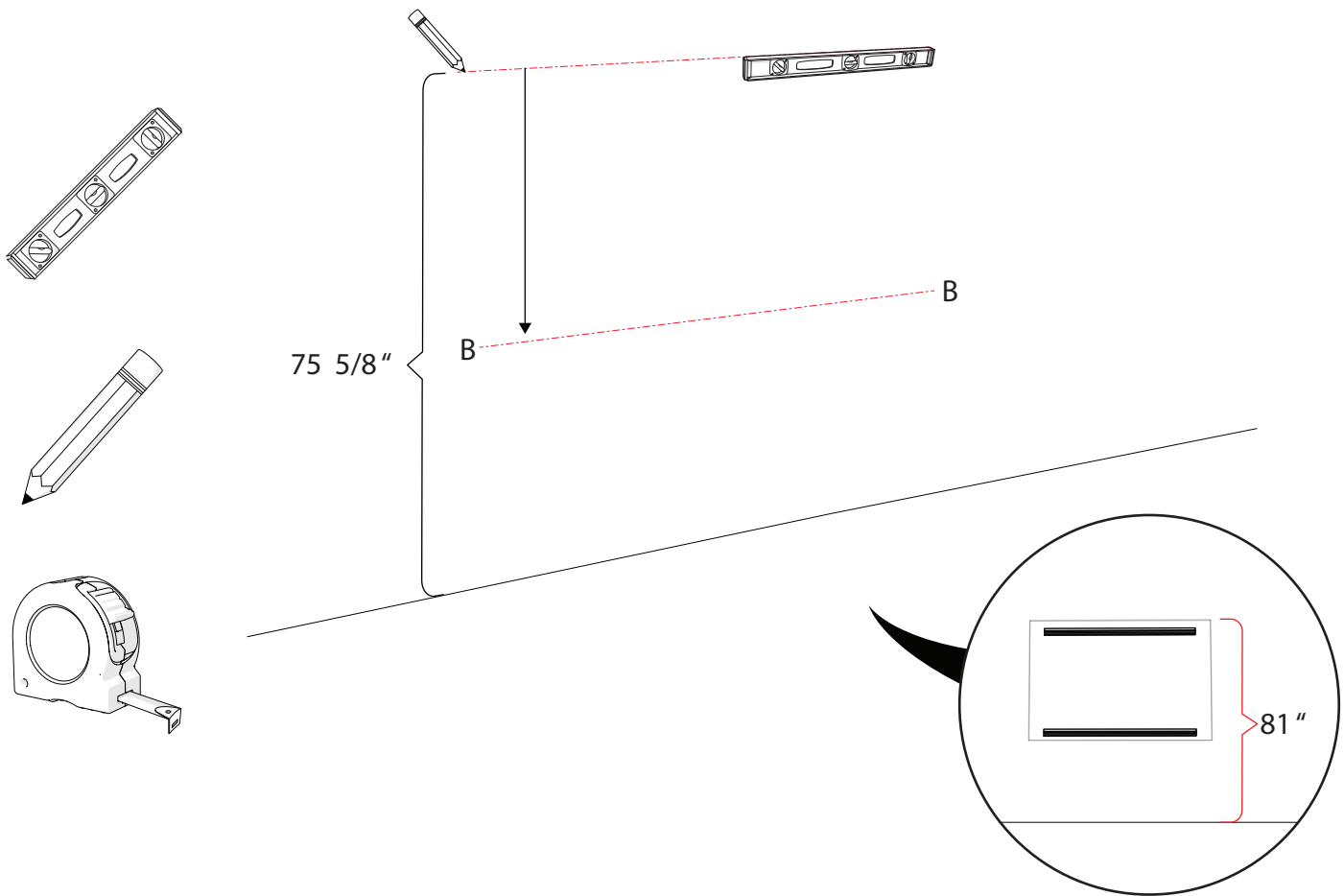
Dimension Stele



DM



Assembly & Installation



$$(B) = A - 7 \frac{7}{16}''$$

Assembly & Installation

