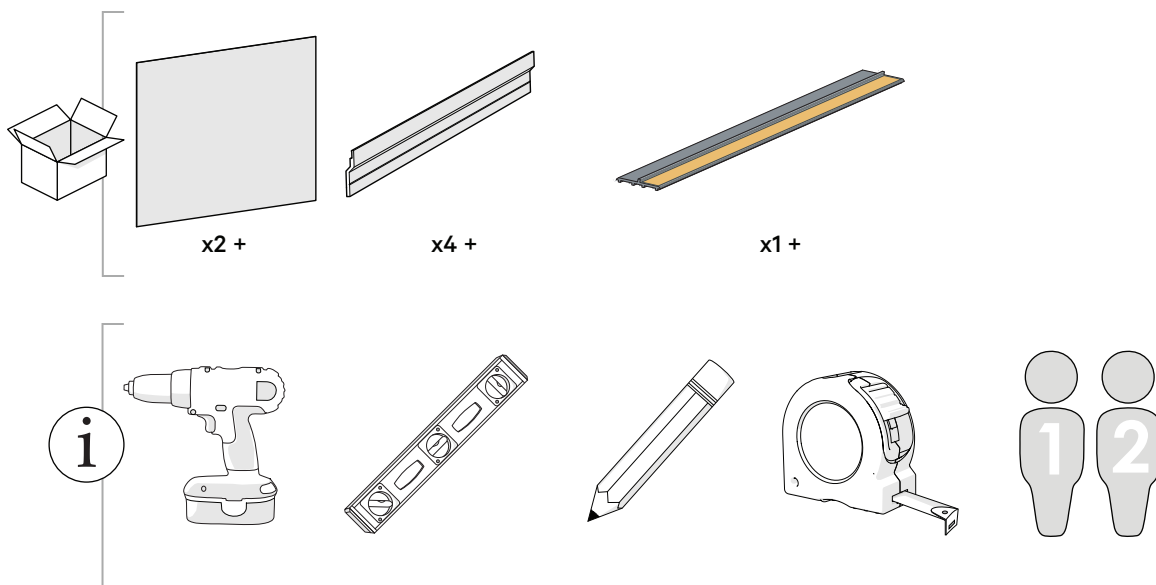
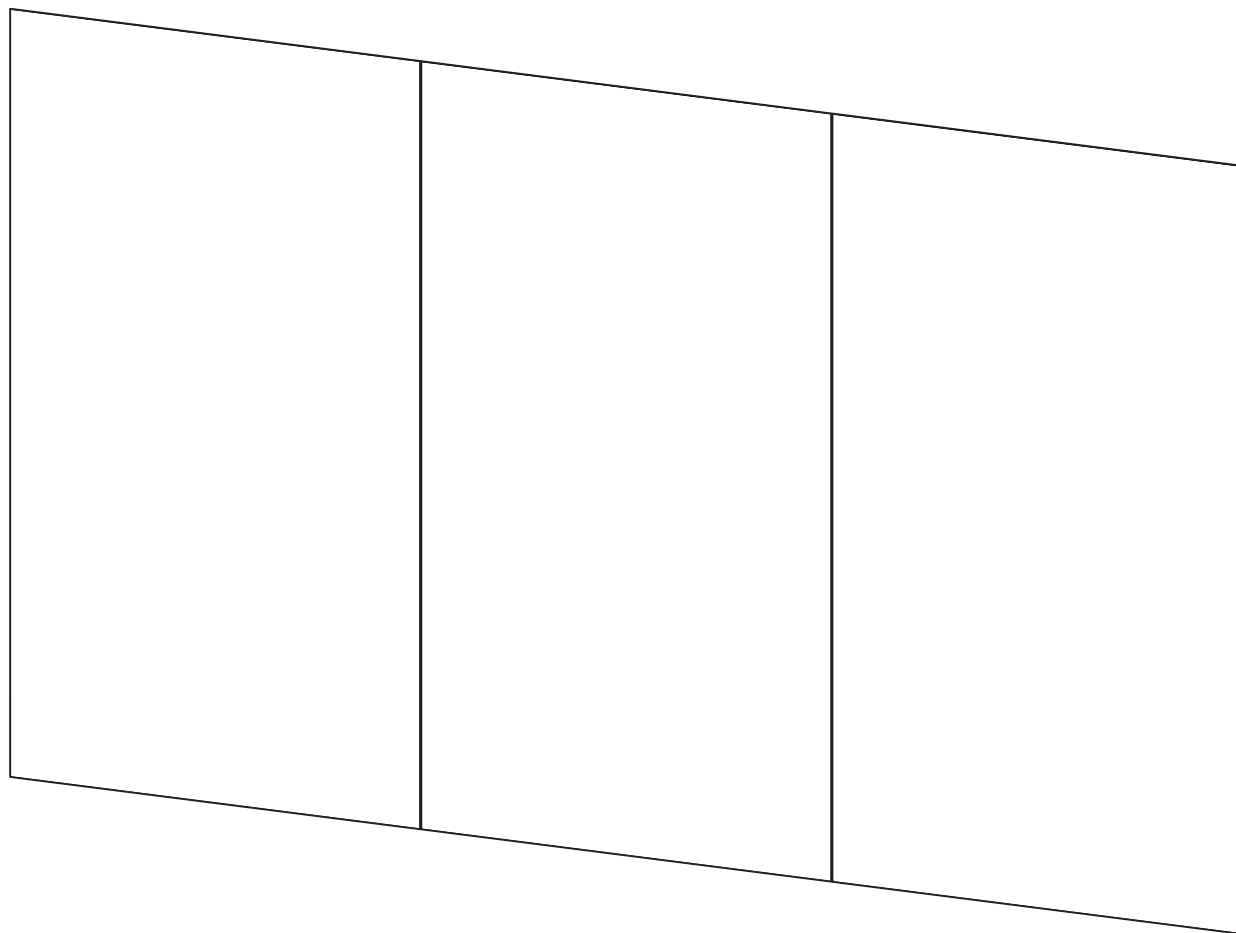


Assembly & Installation

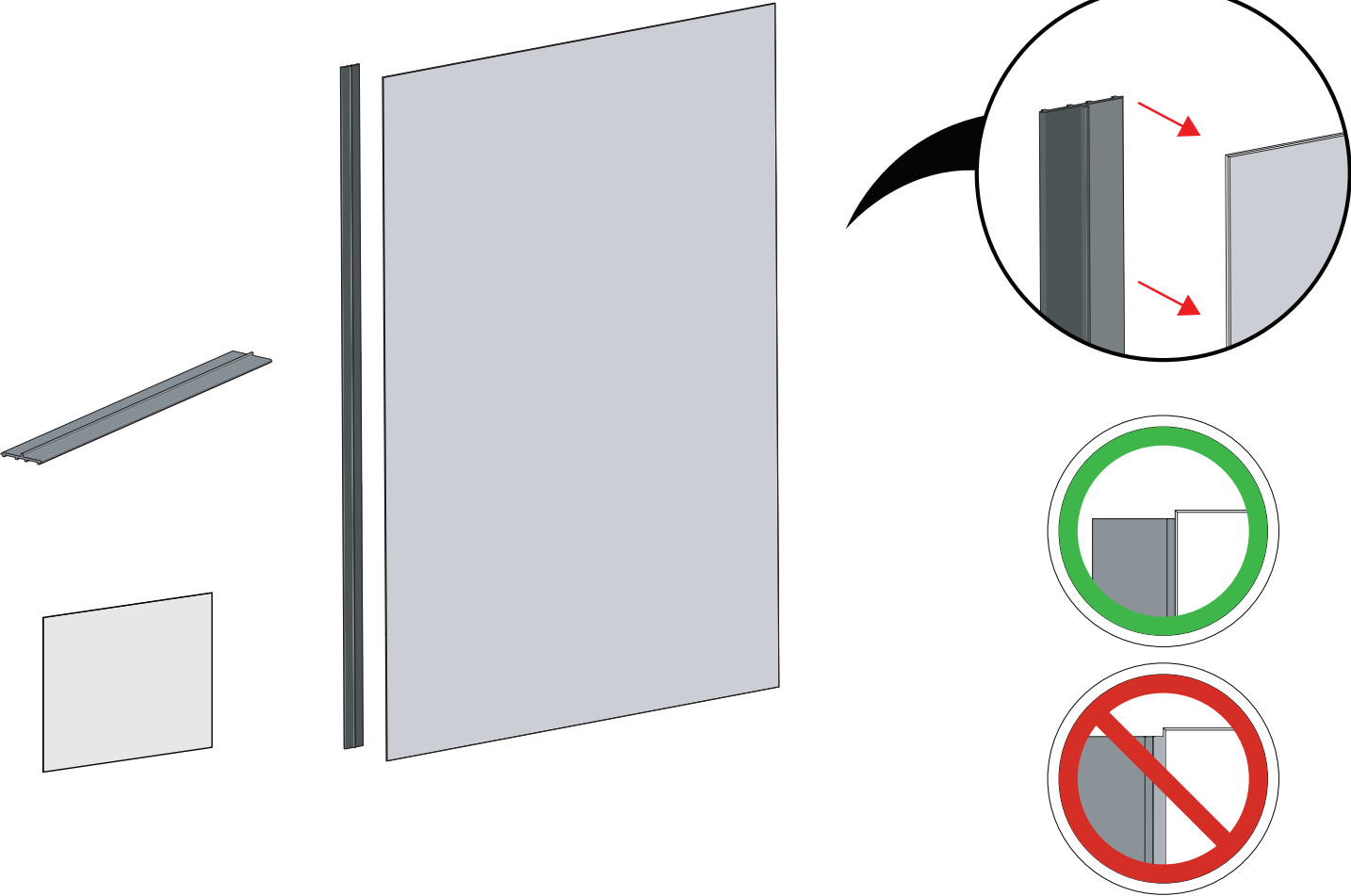
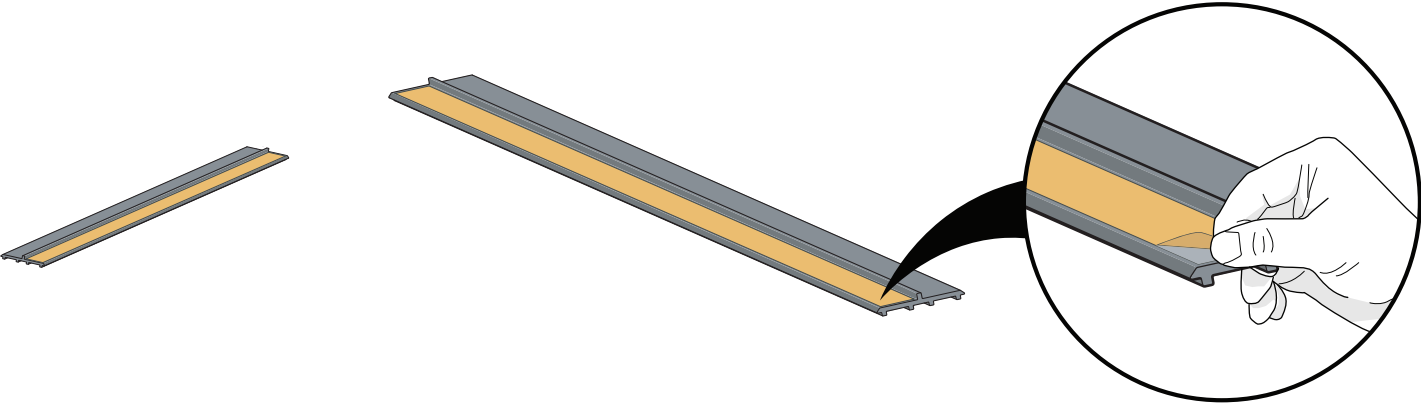
GlassWrite LINXX



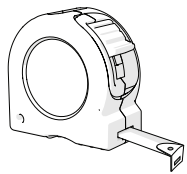
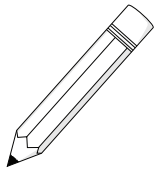
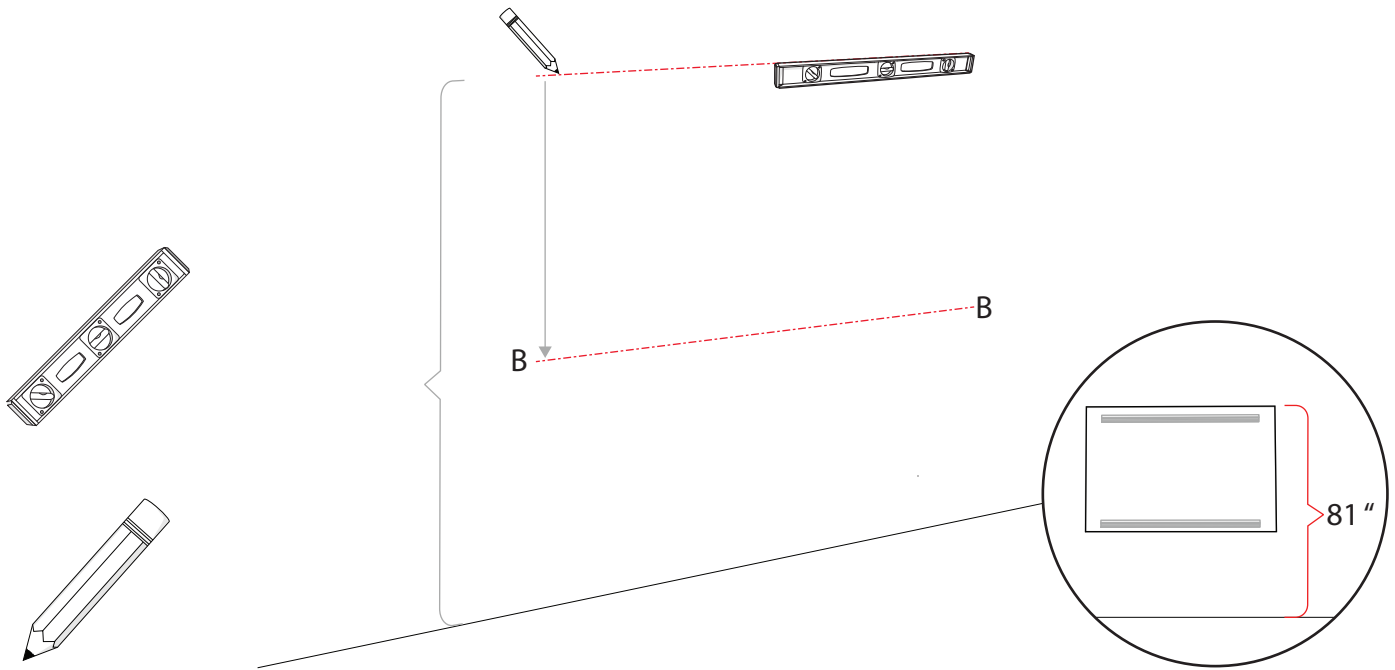
DGM, DG



Assembly & Installation

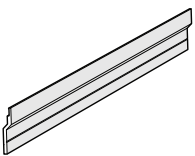


Assembly & Installation

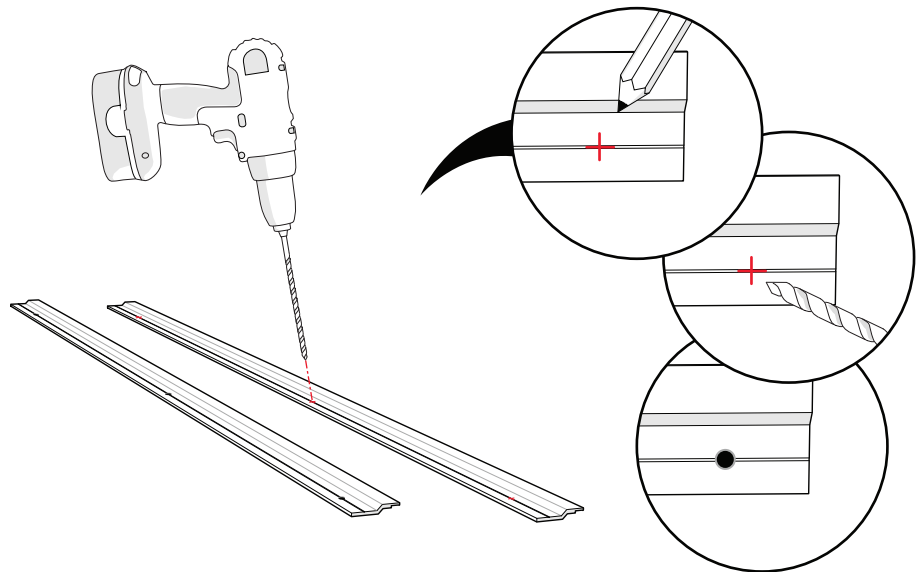
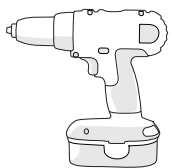
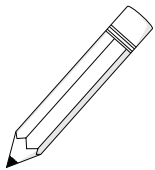


$(B) = A - 7 \frac{7}{16}"$

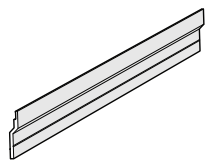
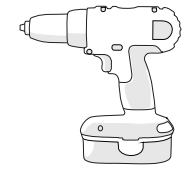
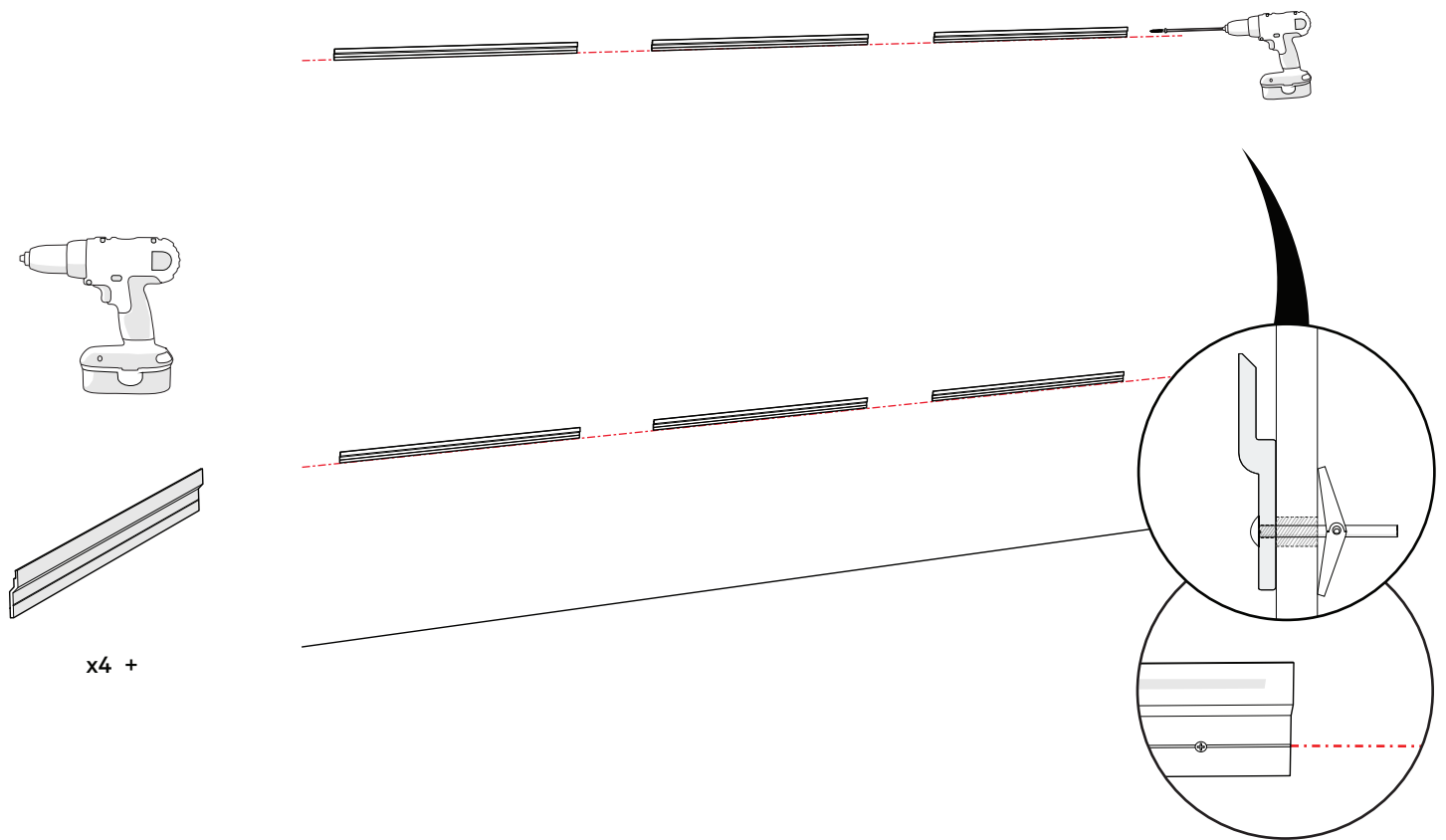
A diagram of a rectangular panel with a red bracket on the left side labeled **A**. To the right of the panel, the equation $(B) = A - 7 \frac{7}{16}"$ is shown.



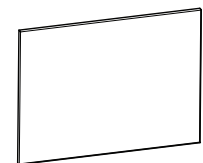
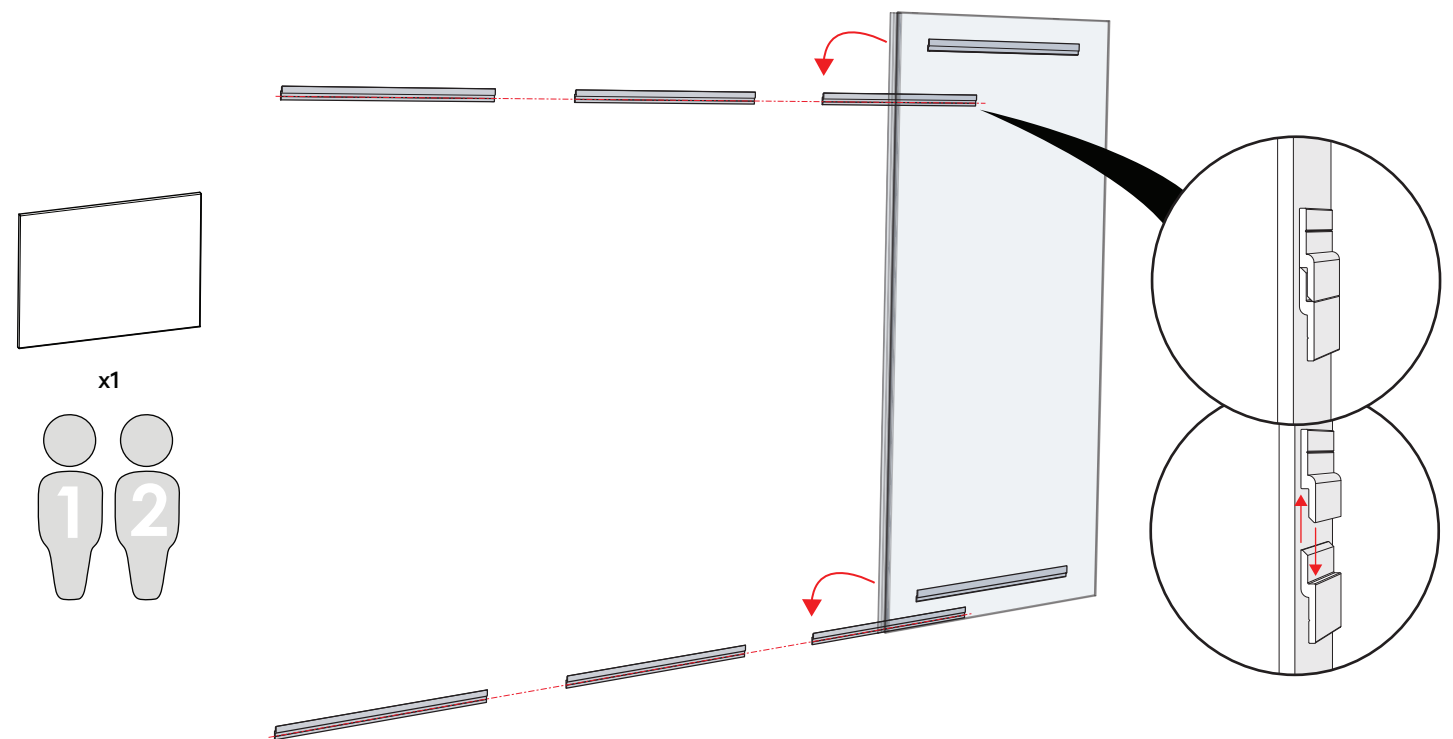
x2



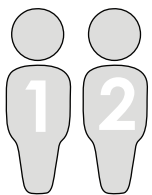
Assembly & Installation



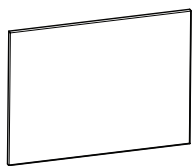
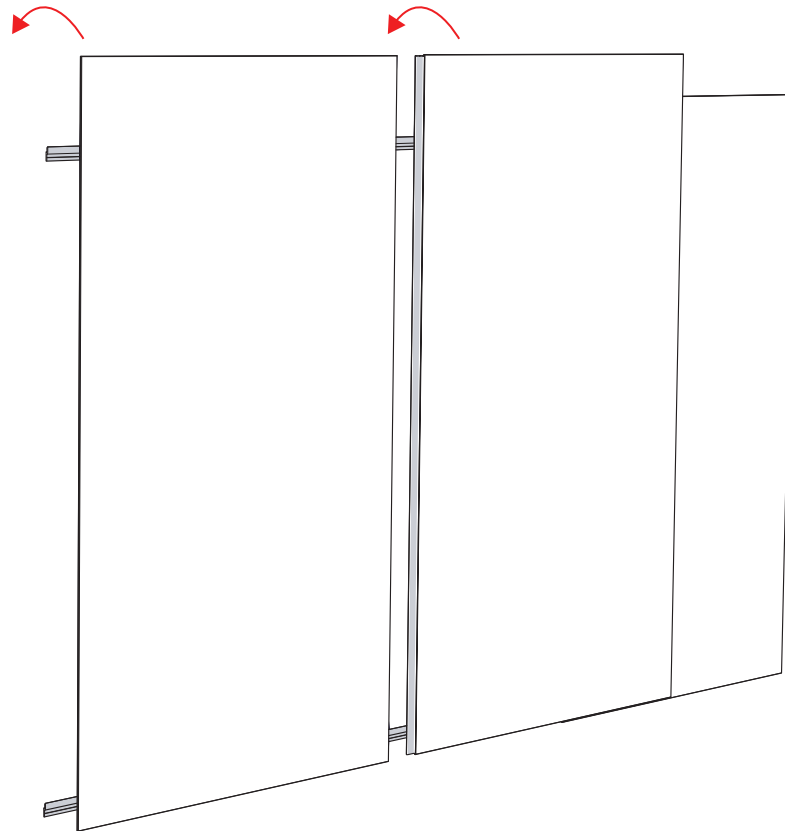
x4 +



x1



Assembly & Installation



x1 +

