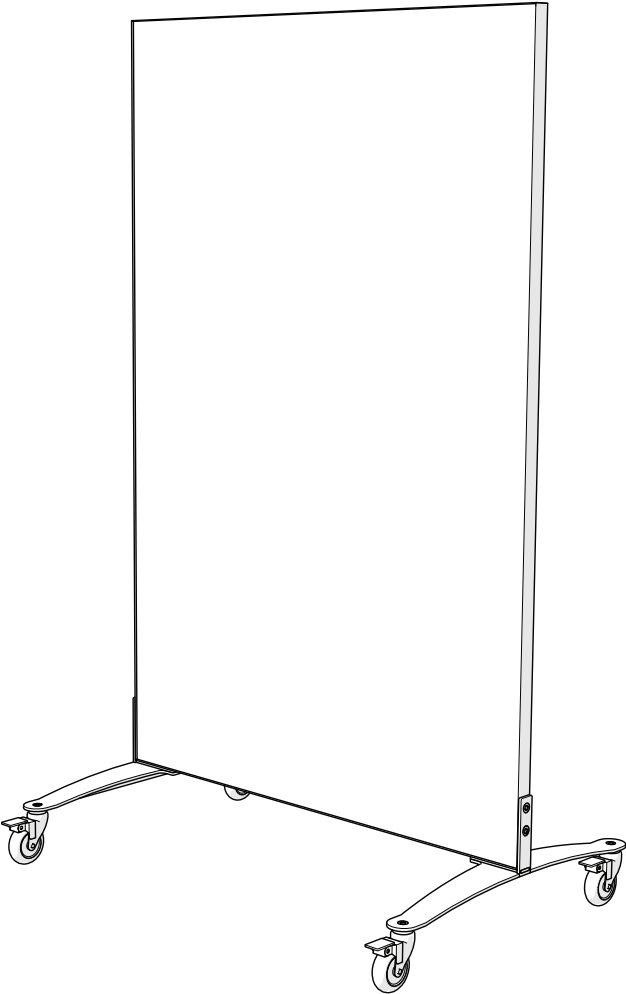
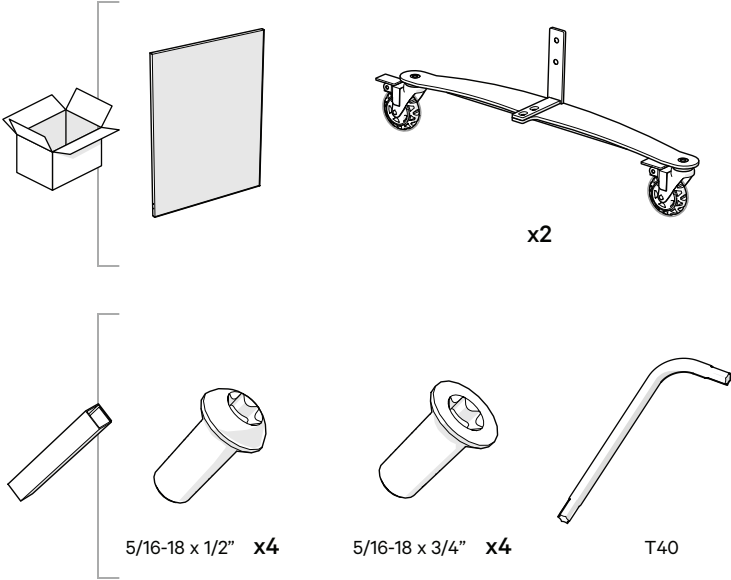


# Assembly & Installation

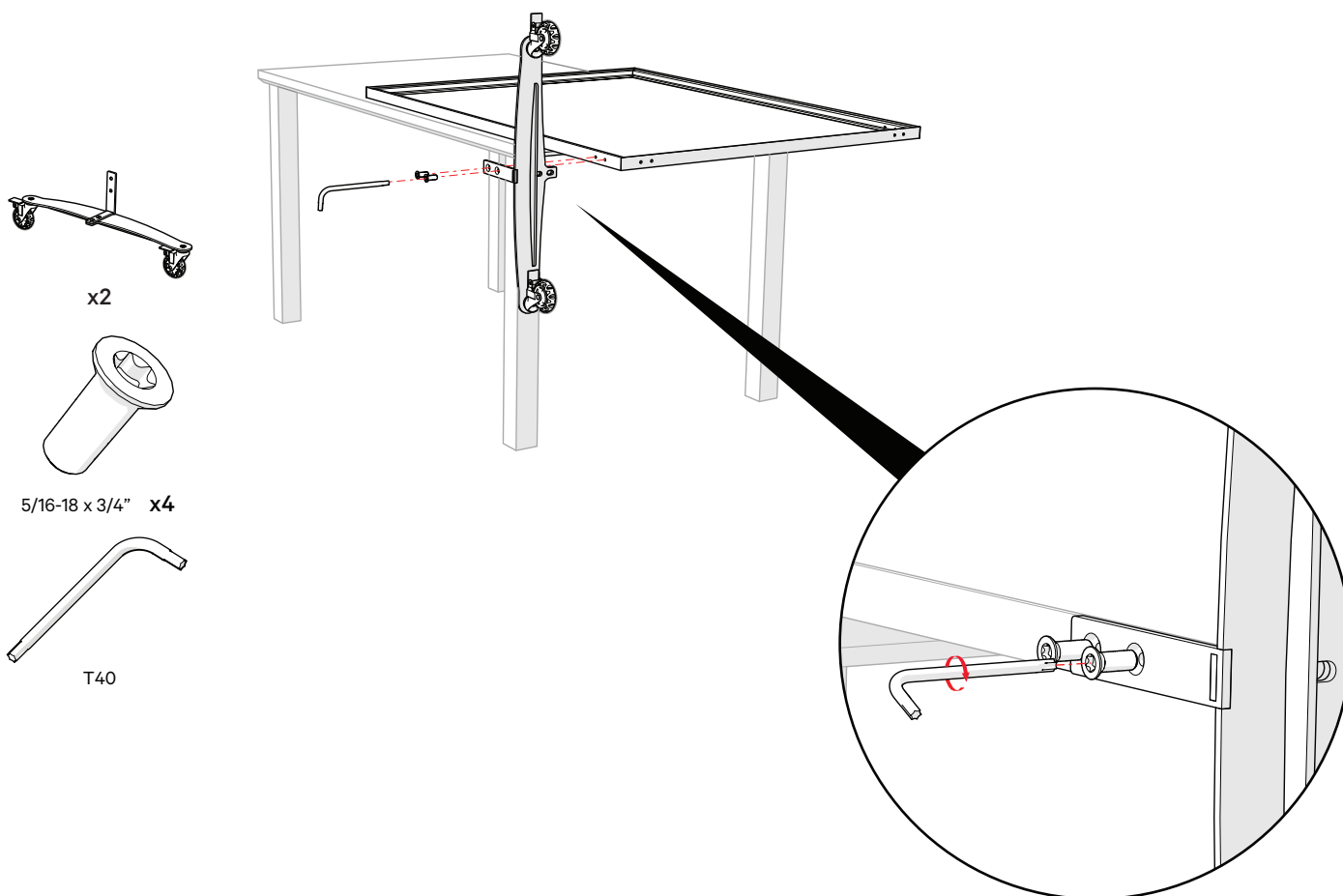
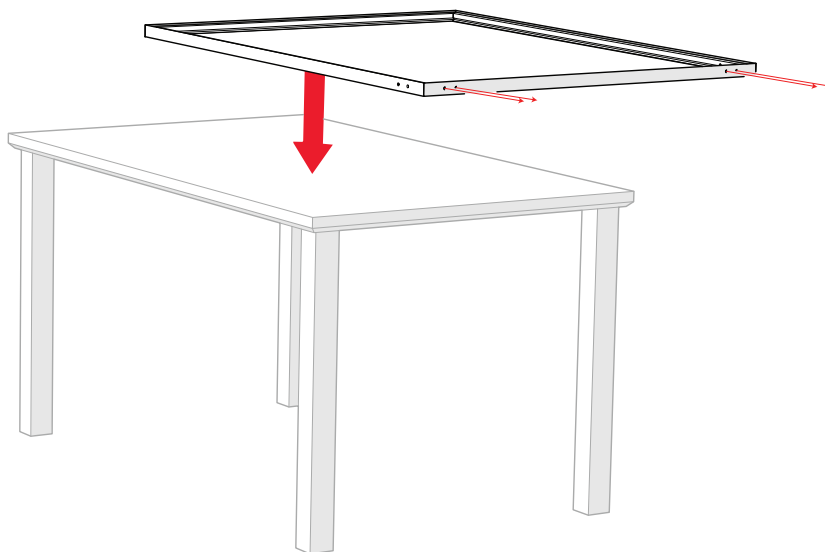
# Architrave Mobile



ARCM



# Assembly & Installation



# Assembly & Installation

