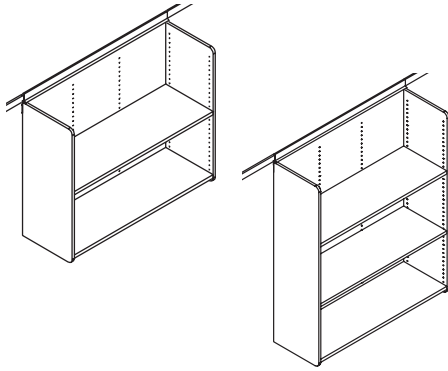


Shelving

EganSystem Office Shelving is a unique track solution designed with a continuous track hanger that runs across the width of the product to evenly distribute weight to safely support the shelves and cabinets. The hanger slides easily across the track for quick, simple re-configuration. With GripTrack (GT) and EganSystem Security Locks (QB), shelves are prevented from unwanted movement.



Dimensions	Price	Notes	
One fixed shelf (not shown)			
36" w x 16" h x 12 1/2" d	\$650	<ul style="list-style-type: none"> Meets California State 2001 building code, section 1632A. See below for details Shelves adjustable on 1 1/4" centers, bottom shelf fixed GripTrack required for Security Lock option. Maximum load: 60 lbs./shelf Supported from recommended 81" high SystemTrack or GripTrack Shelves can be repositioned anywhere along the track Orders for under six (6) units are shipped 'knocked-down', assembly required The optional Security Lock is a patent pending device that prevents the shelf or cabinet from lifting off the GripTrack under seismic activity. See bottom of this page for installation details 	
42" w x 16" h x 12 1/2" d	\$720		
48" w x 16" h x 12 1/2" d	\$780		
One fixed, one adjustable shelf			
36" w x 29" h x 12 1/2" d	\$870		
42" w x 29" h x 12 1/2" d	\$950		
48" w x 29" h x 12 1/2" d	\$1 010		
One fixed, two adjustable shelves			
36" w x 43" h x 12 1/2" d	\$1 020		
42" w x 43" h x 12 1/2" d	\$1 080		
48" w x 43" h x 12 1/2" d	\$1 210		

Custom sizes available - Select next larger size and add \$150 to list / item

1. PRODUCT CODE

Code	Description
ESSH	EganSystem Office Shelf

2. SHELVES

Code	Description
1	1 Fixed Shelf
2	1 Fixes, 1 Adjustable Shelf
3	1 Fixed, 2 Adjustable Shelves

3. SHELF FINISH

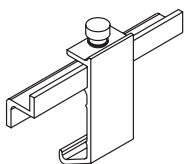
EganMetallic	Black	Charcoal	Gray	Platinum	Putty	Sand	Slate	Taupe
EM	BL	CL	GR	PT	PY	SN	SL	TA

HOW TO ORDER

ESSH 42 2 PT



SECURITY LOCK



Code	Description	Price
QB	Security Locks for product security. One (1) pair.	

Egan Security Locks are designed to lock single units or a series of EganSystem Office products to the track. Great for security and to prevent shelves from lifting up and off the track. Requires GripTrack

