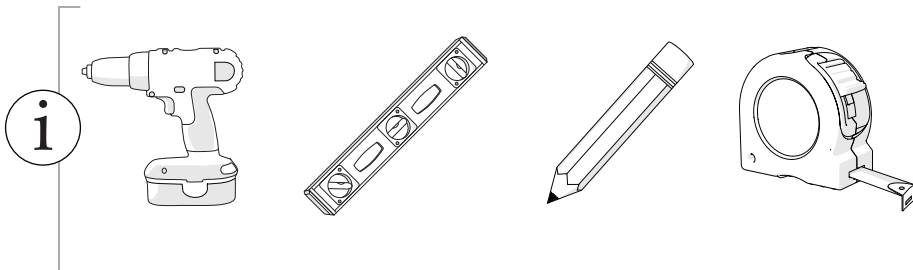
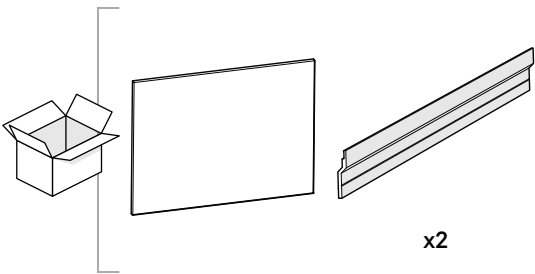
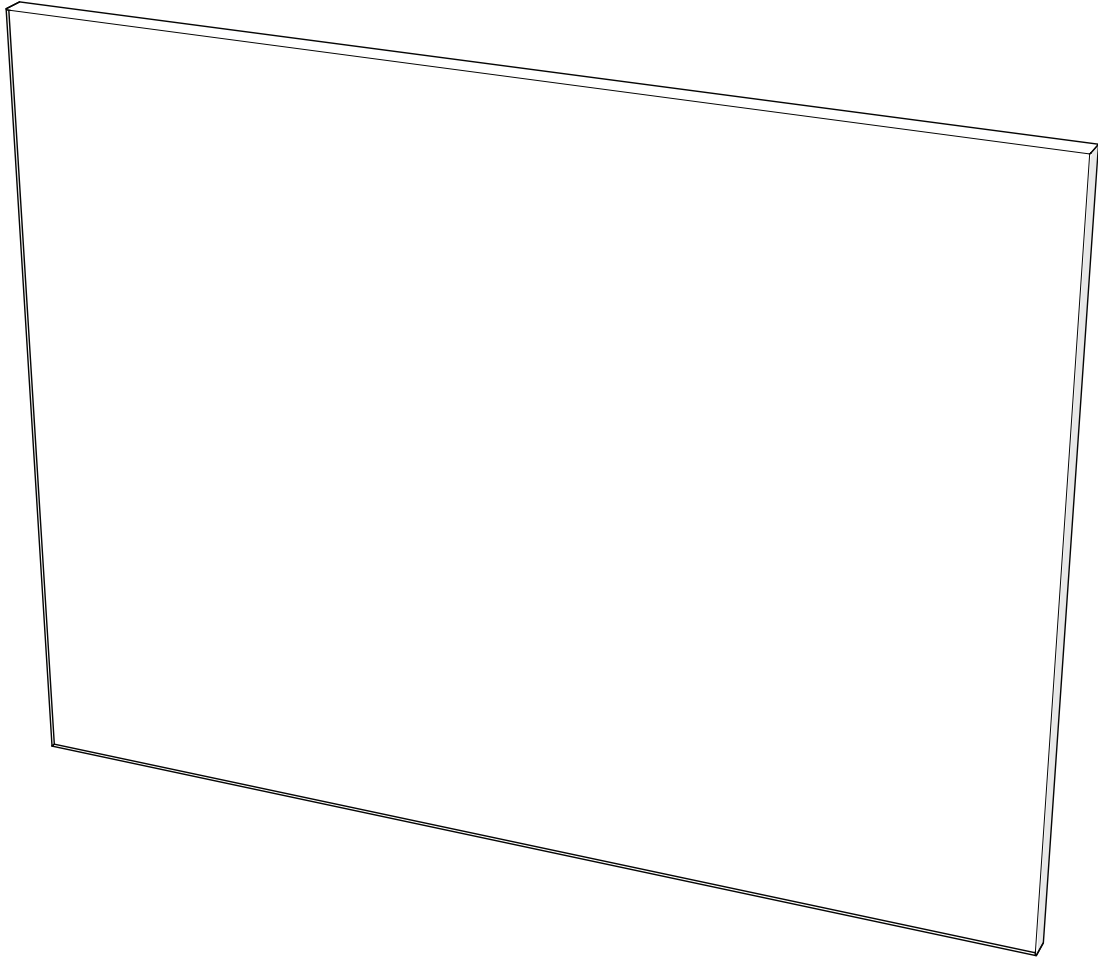


Assembly & Installation

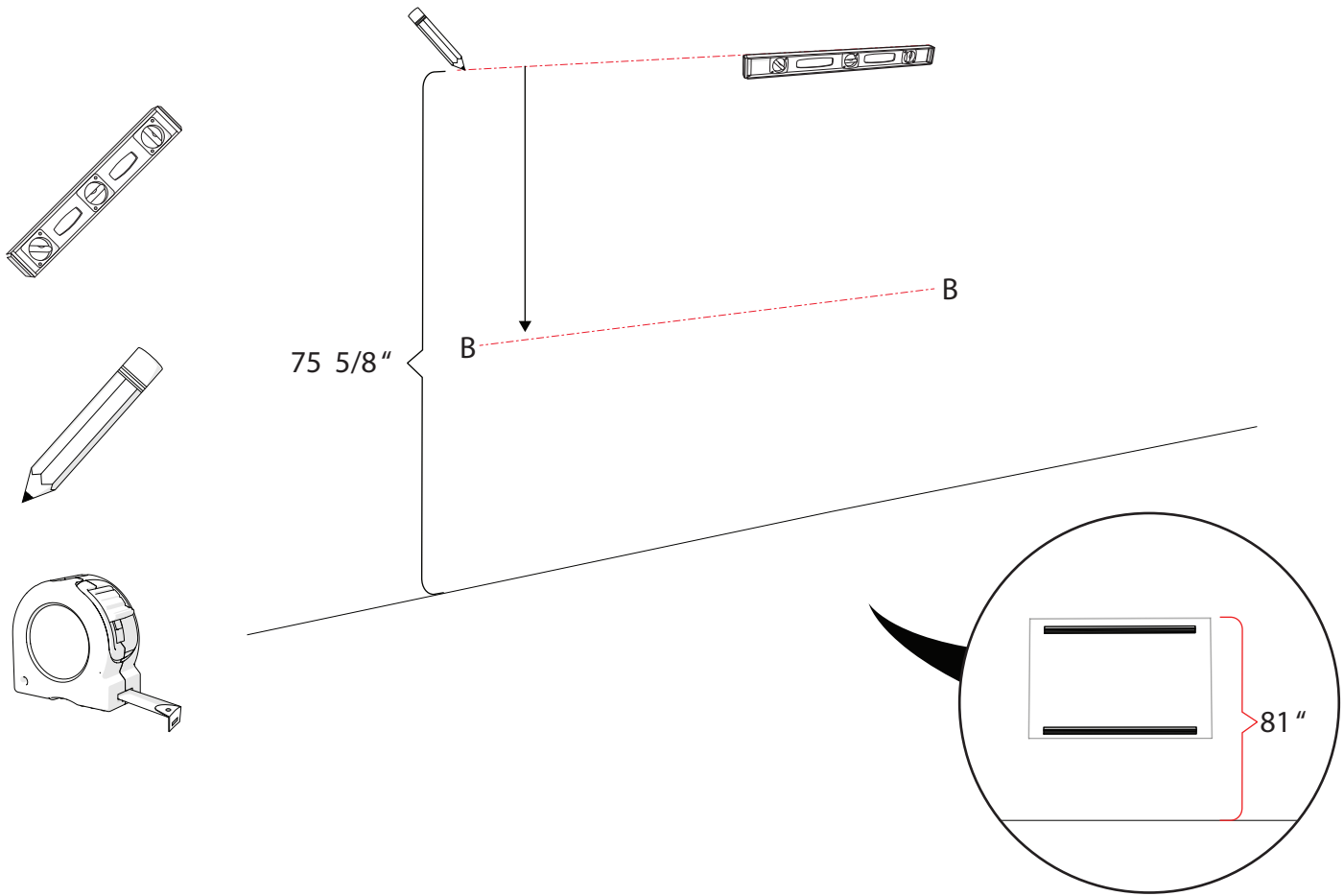
Dimension 13



DM13



Assembly & Installation



$$(B) = A - 7 \frac{7}{16}''$$

Assembly & Installation

