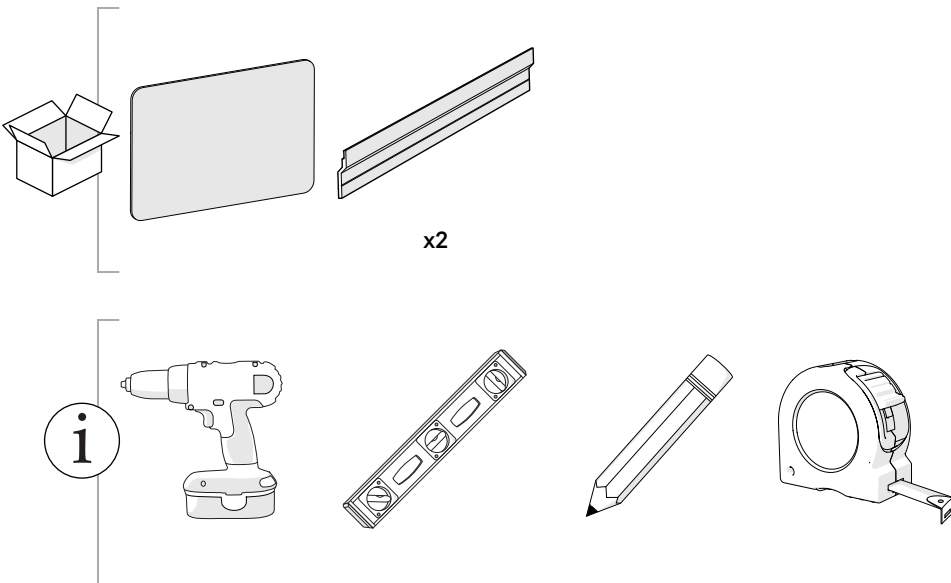
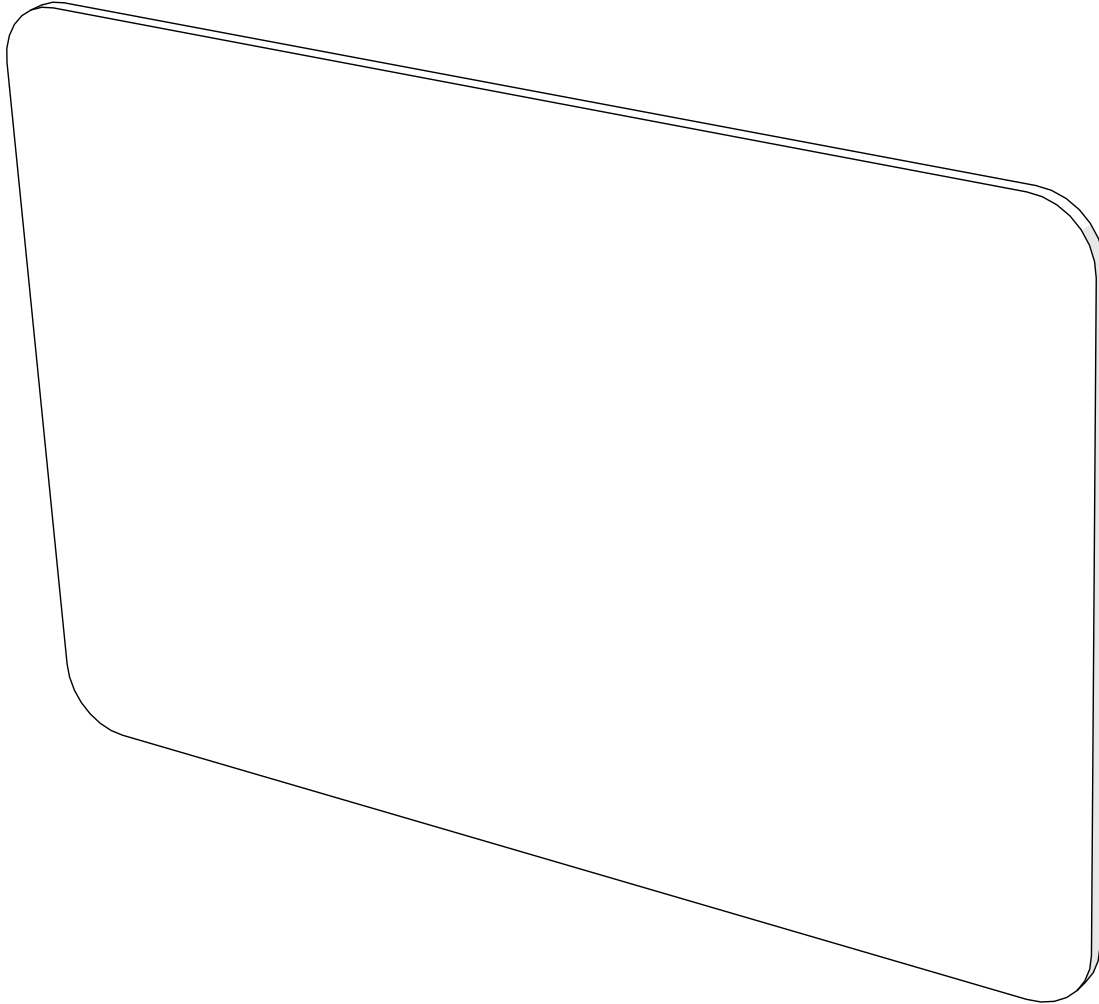


# Assembly & Installation

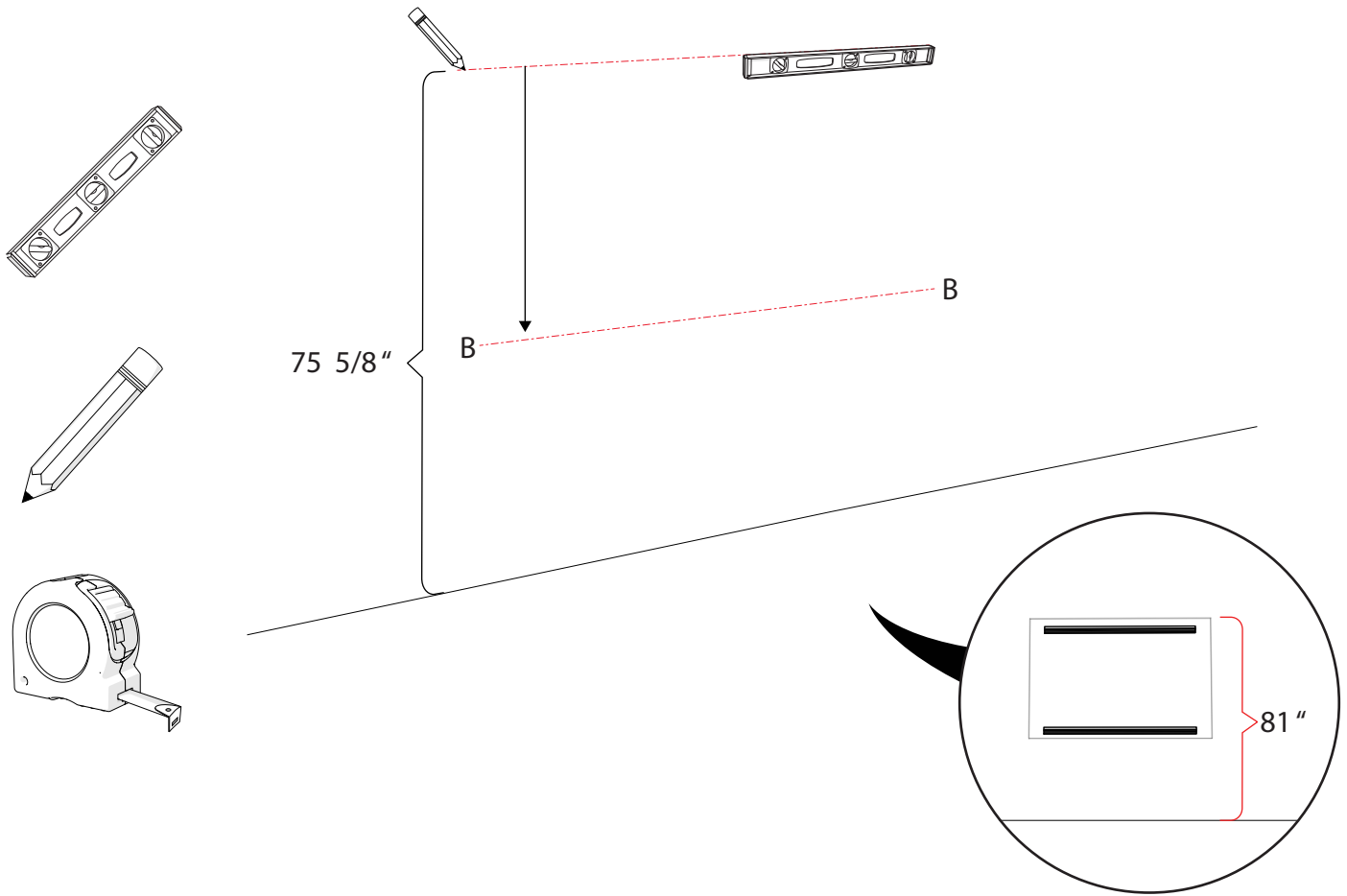
# Dimension Curve



DMR



# Assembly & Installation



$$(B) = A - 7 \frac{7}{16}''$$

# Assembly & Installation

