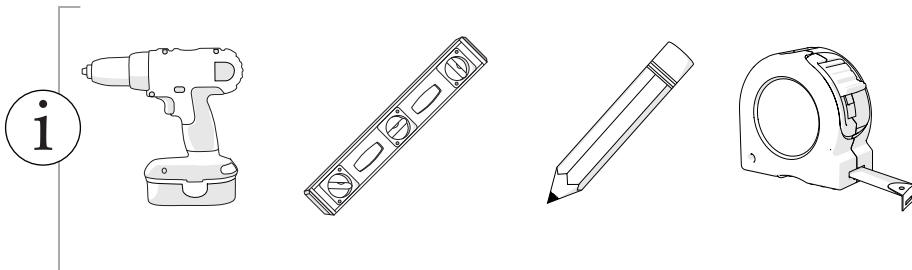
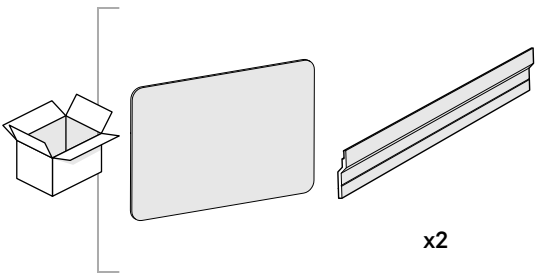
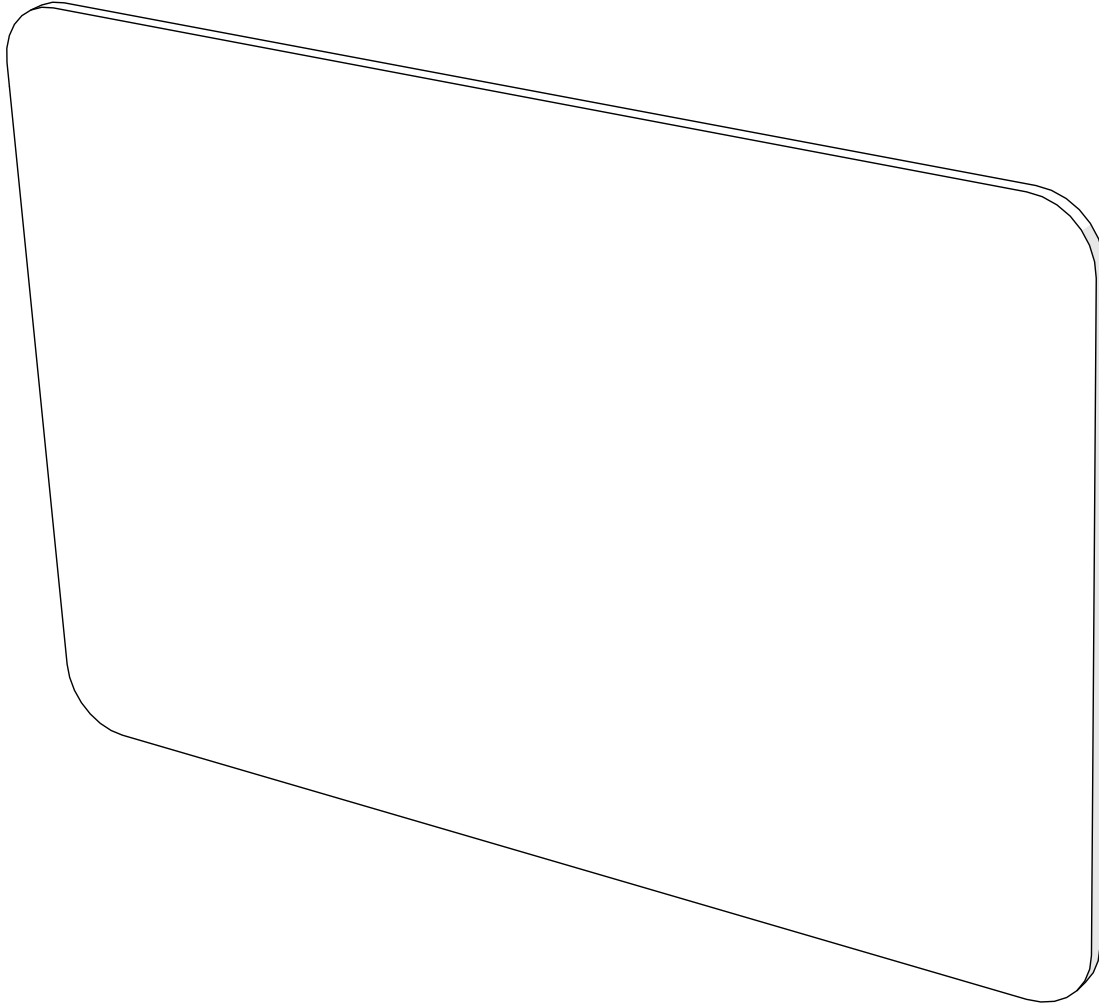


Assembly & Installation

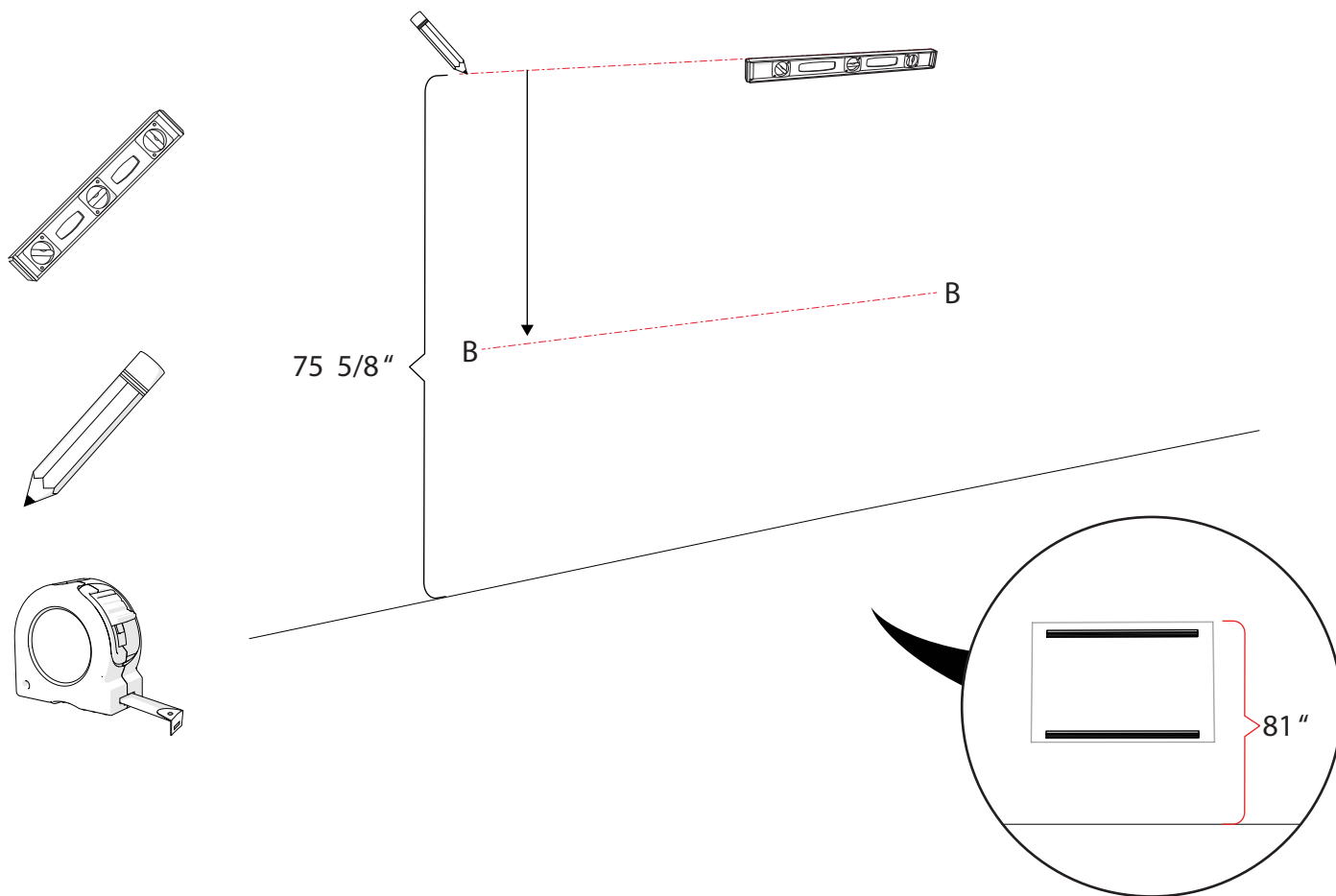
Dimension Fabric Curve



DTR



Assembly & Installation



$$(B) = A - 7 \frac{7}{16}''$$

Assembly & Installation

