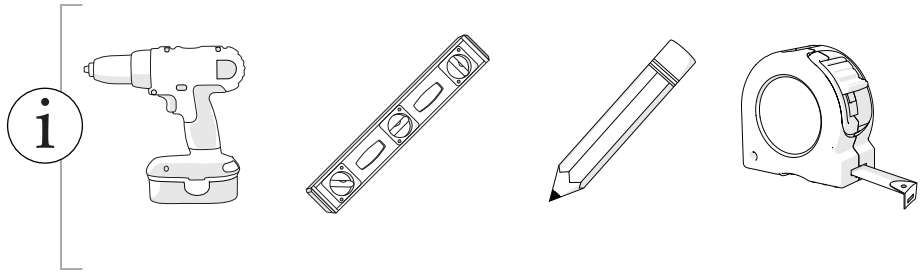
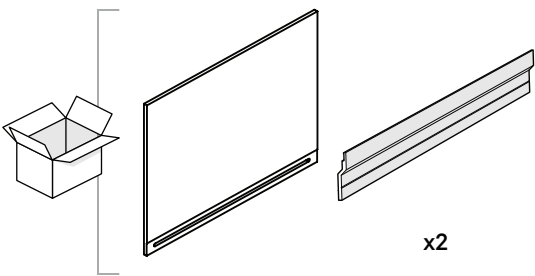
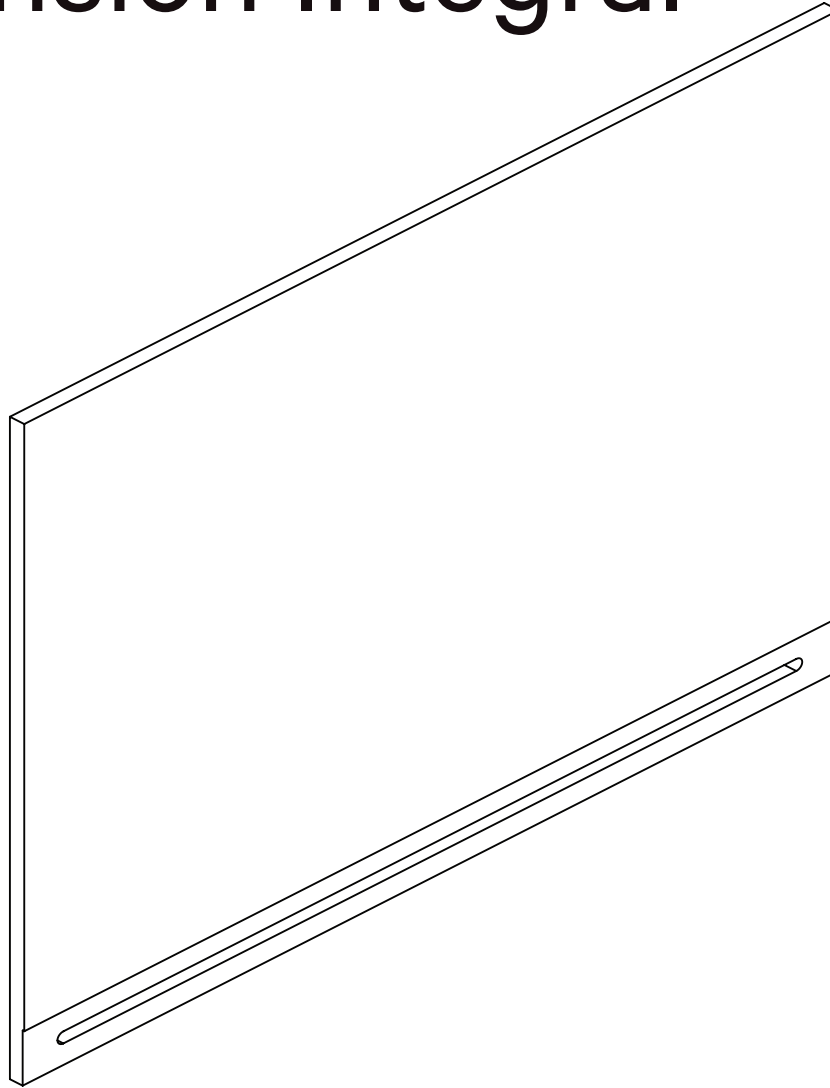


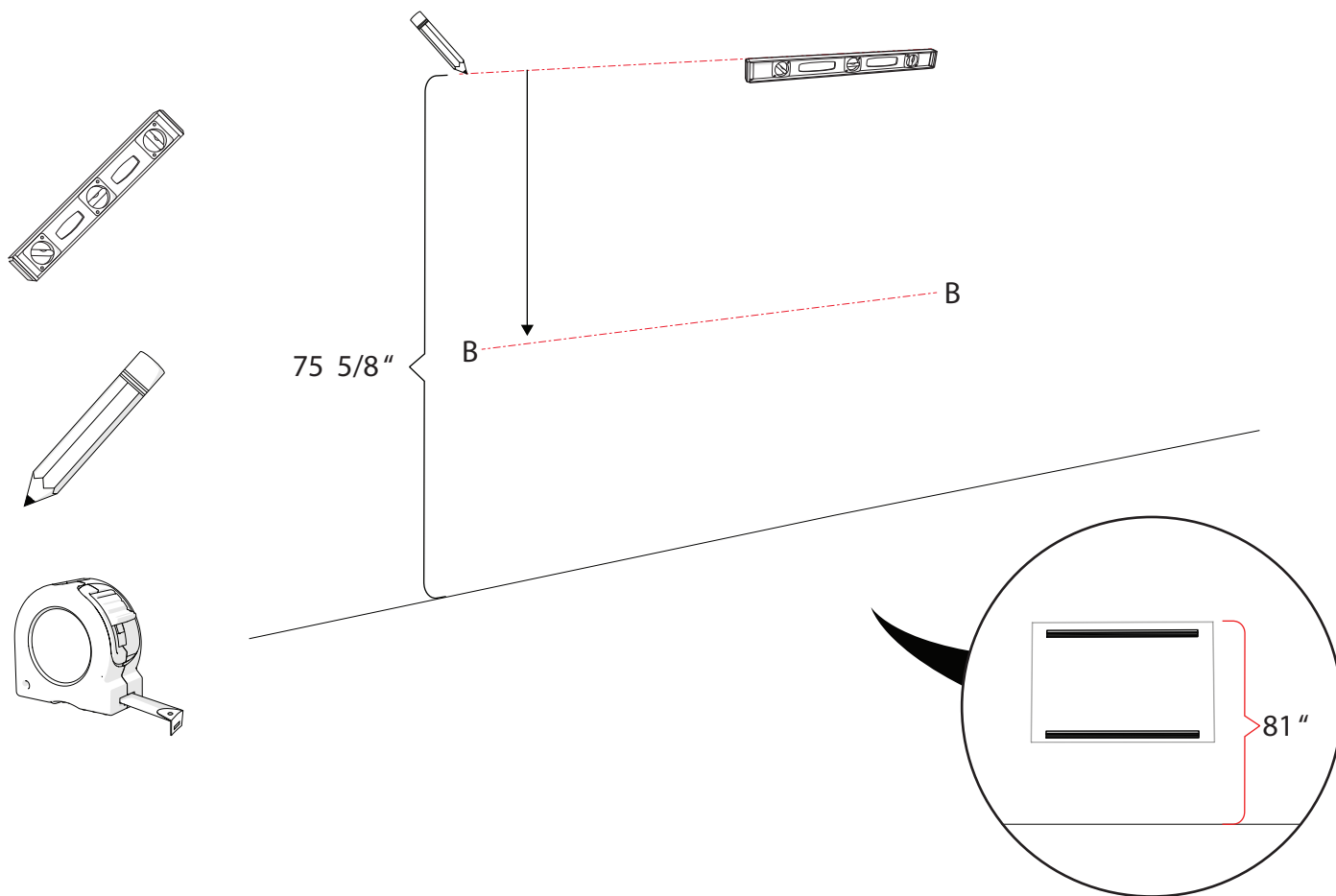
Assembly & Installation

Dimension Integral

DMI



Assembly & Installation



$$(B) = A - 7 \frac{7}{16}''$$

Assembly & Installation

