

Boxcore™ 29 TableScreens™

TableScreens can be specified with a different infill per side. Pricing reflects costs for 1 side only. Choose an infill for each side and add the price together for the total cost. If the infill is the same for both sides, simply double the cost in the chart below.

Table Shows Pricing Per Side of Board

Dimension	EVS /per side	GlassWriteMAG /per side	Tack EcoTack / per side	Tack Standard Fabric/ per side	Tack Grade A Fabric /per side
24" w x 12" h	\$335	\$505	\$335	\$370	\$450
24" w x 14" h	\$340	\$560	\$340	\$475	\$465
24" w x 18" h	\$345	\$665	\$345	\$380	\$470
24" w x 24" h	\$360	\$860	\$360	\$400	\$490
30" w x 12" h	\$355	\$590	\$355	\$390	\$495
30" w x 14" h	\$360	\$675	\$360	\$395	\$505
30" w x 18" h	\$375	\$805	\$375	\$415	\$530
30" w x 24" h	\$395	\$1 020	\$395	\$440	\$550
36" w x 12" h	\$365	\$675	\$365	\$400	\$505
36" w x 14" h	\$385	\$780	\$385	\$425	\$535
36" w x 18" h	\$405	\$945	\$405	\$445	\$570
36" w x 24" h	\$445	\$1 020	\$445	\$490	\$590
48" w x 12" h	\$380	\$870	\$380	\$420	\$525
48" w x 14" h	\$410	\$985	\$410	\$450	\$565
48" w x 18" h	\$445	\$1 198	\$445	\$490	\$615
48" w x 24" h	\$485	\$1 605	\$485	\$535	\$635
60" w x 12" h	\$410	\$1 065	\$410	\$450	\$584
60" w x 14" h	\$445	\$1 225	\$445	\$490	\$625
60" w x 18" h	\$480	\$1 495	\$480	\$530	\$670
60" w x 24" h	\$540	\$1 790	\$540	\$590	\$690
72" w x 12" h	\$435	\$1 240	\$435	\$480	\$630
72" w x 14" h	\$475	\$1 470	\$475	\$525	\$680
72" w x 18" h	\$510	\$1 785	\$510	\$560	\$720
72" w x 24" h	\$575	\$2 110	\$575	\$635	\$750

Custom sizes available - Select next larger size and add \$150 to list / item
 Custom Fabric Upcharge: \$150 List handling fee. Customer required to purchase fabric COM (customer's own material).

1. PRODUCT CODE

Code	Description
TSB	EVS Framed
TSGB	GlassWriteMAG

3. SURFACE

Code	Description
E	EVS
T	EcoTack/PET
F	Fabric

For a full list of Standard and Grade A fabric options, visit egan.com/fabrics-and-textiles/

4. FRAME & BASE

Code	Description
CA	Clear Anodized
WH	White
BL	Black
CC	Custom Color - \$ 150

GLASS COLOR

Code	Description
WH	White
CC	Infinite Palette

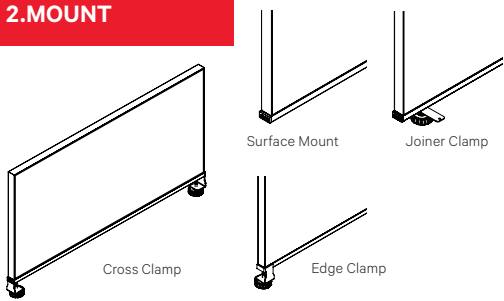
To see all 1,050 colors in the Egan Infinite Color Palette, visit egan.com

EGANINK

Specify EganINK on EVS or Glass for a minimum upcharge of \$200 or \$25/ sqft

TableScreens

2.MOUNT



Code	Description
E1	Install TableScreen along the edge of a 7/8" to 1 1/4" thick table using an Edge Clamp.
E2	Install TableScreen along the edge of a 1 1/4" to 1 3/4" thick table using an Edge Clamp.
C1	Install TableScreen across a surface of a 7/8" to 1 1/4" thick table using a Cross Clamp.
C2	Install TableScreen across a surface of a 1 1/4" to 1 3/4" thick table using a Cross Clamp.
SM	Install TableScreen across a surface or along the edge of a table using a Surface Mount.
JC	Install TableScreen along the seams of two adjacent tables using a Joiner Clamp.

HOW TO ORDER

TSB 24 12 JC E E WH CA I

1. Product Code Width Height 2. Mount 2. Surface Side 1 Side 2 4. Frame 4. Base EganINK File

WHAT'S IN THE BOX

Two (2) assorted color Dry-Erase Markers
 One (1) EganCloth