

Architrave TableScreen

TableScreens can be specified with a different infill per side. Pricing reflects costs for 1 side only. Choose an infill for each side and add the price together for the total cost. If the infill is the same for both sides, simply double the cost in the chart below.

Table Shows Pricing Per Side of Board

Dimension	EVS/per side	GlassWriteMAG /per side	Tack EcoTack/per side	Tack Standard Fabric/per side	Tack Grade A Fabric /per side
24"w x 12"h	\$ 270	\$ 415	\$ 285	\$ 300	\$ 340
24"w x 14"h	\$ 280	\$ 460	\$ 295	\$ 310	\$ 355
24"w x 18"h	\$ 285	\$ 545	\$ 300	\$ 315	\$ 360
24"w x 24"h	\$ 295	\$ 705	\$ 310	-	-
30"w x 12"h	\$ 290	\$ 485	\$ 305	\$ 320	\$ 380
30"w x 14"h	\$ 295	\$ 548	\$ 310	\$ 325	\$ 390
30"w x 18"h	\$ 305	\$ 660	\$ 320	\$ 335	\$ 405
30"w x 24"h	\$ 320	\$ 835	\$ 335	-	-
36"w x 12"h	\$ 298	\$ 548	\$ 310	\$ 330	\$ 385
36"w x 14"h	\$ 315	\$ 640	\$ 330	\$ 350	\$ 410
36"w x 18"h	\$ 335	\$ 775	\$ 350	\$ 370	\$ 340
36"w x 24"h	\$ 365	\$ 975	\$ 385	-	-
48"w x 12"h	\$ 310	\$ 715	\$ 325	\$ 340	\$ 400
48"w x 14"h	\$ 335	\$ 805	\$ 350	\$ 370	\$ 430
48"w x 18"h	\$ 360	\$ 985	\$ 380	\$ 395	\$ 465
48"w x 24"h	\$ 395	\$1 465	\$ 415	-	-
60"w x 12"h	\$ 335	\$ 870	\$ 350	\$ 370	\$ 450
60"w x 14"h	\$ 355	\$1 005	\$ 370	\$ 390	\$ 475
60"w x 18"h	\$ 390	\$1 220	\$ 410	\$ 430	\$ 515
60"w x 24"h	\$ 440	\$1 465	\$ 460	-	-
72"w x 12"h	\$ 355	\$1 015	\$ 370	\$ 390	\$ 490
72"w x 14"h	\$ 385	\$1 198	\$ 405	\$ 424	\$ 520
72"w x 18"h	\$ 420	\$1 465	\$ 440	\$ 460	\$ 560
72"w x 24"h	\$ 470	\$2 110	\$ 245	-	-

Custom sizes available - Select next larger size and add \$150 to list / item
 COM (customer's own material) Upcharge: \$150 List handling fee. Customer required to purchase fabric

1. PRODUCT CODE

Code	Description
TSA	EVS, Fabric, or EcoTack

3. SURFACE

Code	Description
E	EVS
T	EcoTack/PET
F	Fabric
GG	GlassWriteMAG
For a full list of Standard and Grade A fabric options, visit egan.com/fabrics-and-textiles/	

4. FRAME STAINS

Code	Description
LO	Light Oak
MO	Medium Oak
DO	Dark Oak
BO	Black Oak
CS	Custom Stain - \$ 250

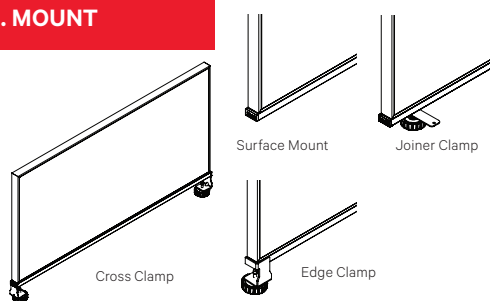
GLASS COLOR

Code	Description
WH	White
CC	Infinite Palette
To see all 1,050 colors in the Egan Infinite Color Palette, visit egan.com	

EGANINK

Specify EganINK on EVS or Glass for a minimum upcharge of \$200 or \$25/ sqft

2. MOUNT



Code	Description
E1	Install TableScreen along the edge of a 7/8" to 1 1/4" thick table using an Edge Clamp.
E2	Install TableScreen along the edge of a 1 1/4" to 1 3/4" thick table using an Edge Clamp.
C1	Install TableScreen across a surface of a 7/8" to 1 1/4" thick table using a Cross Clamp.
C2	Install TableScreen across a surface of a 1 1/4" to 1 3/4" thick table using a Cross Clamp.
SM	Install TableScreen across a surface or along the edge of a table using a Surface Mount.
JC	Install TableScreen along the seams of two adjacent tables using a Joiner Clamp.

HOW TO ORDER



WHAT'S IN THE BOX

Two (2) assorted color Dry-Erase Markers
 One (1) EganCloth