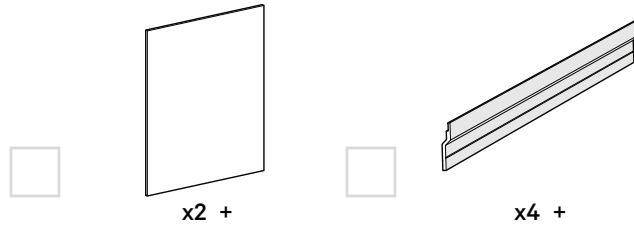


What's in the Box

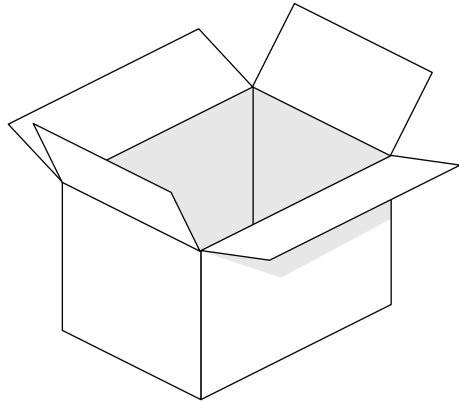
Dimension Stele LINXX



DMOL - DMIB - DMOR



Packed with Care by: _____

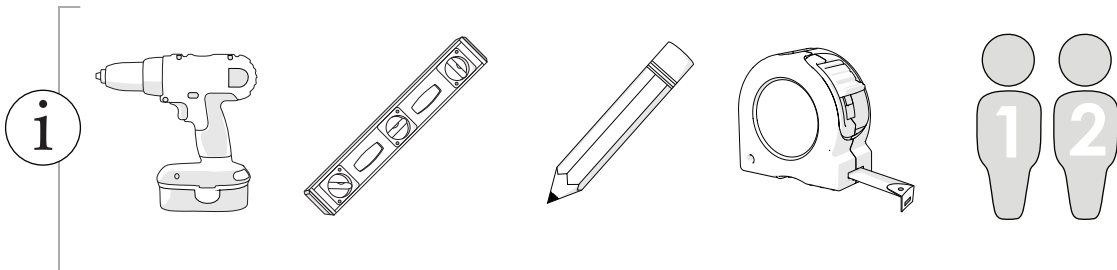
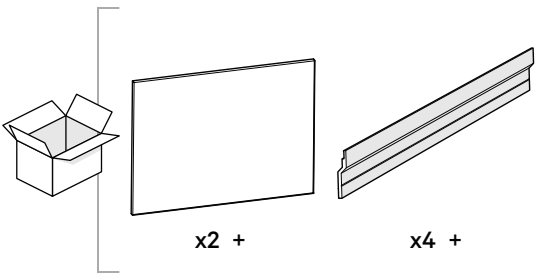
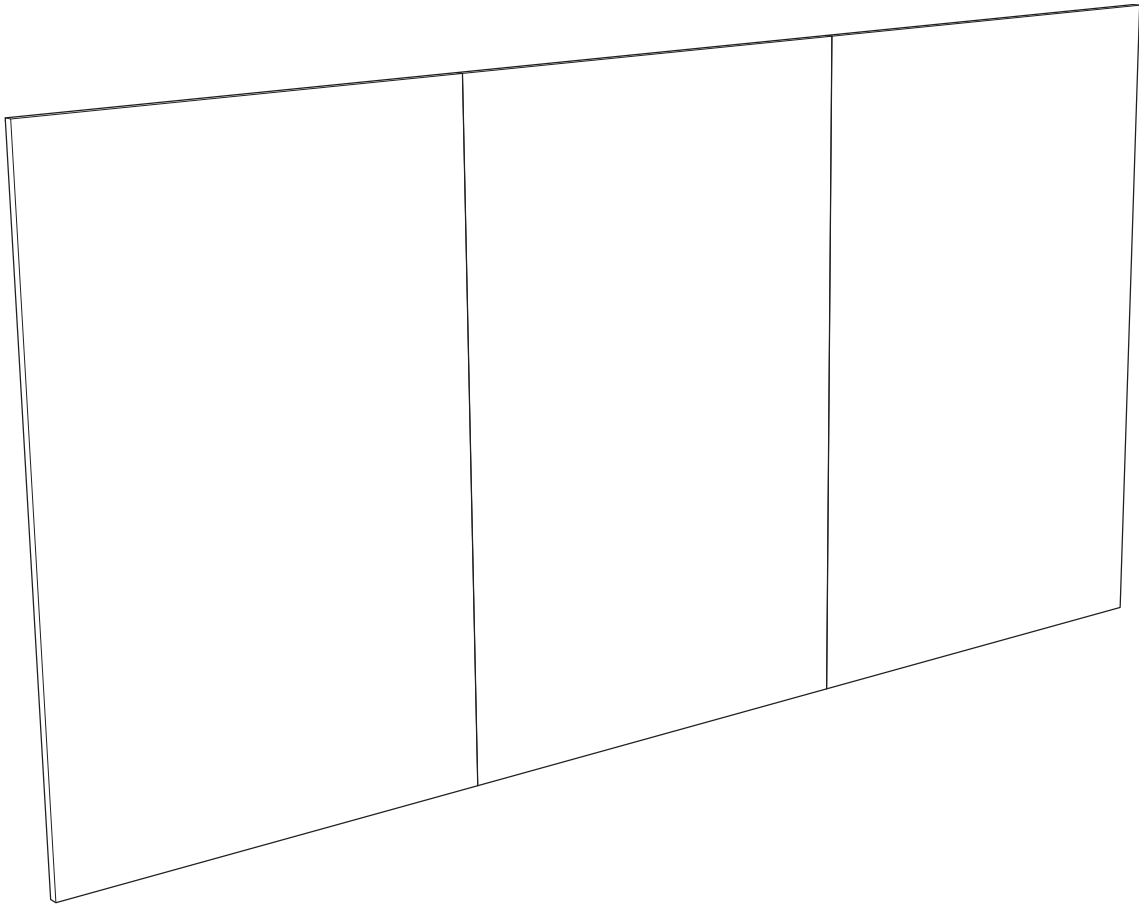


Assembly & Installation

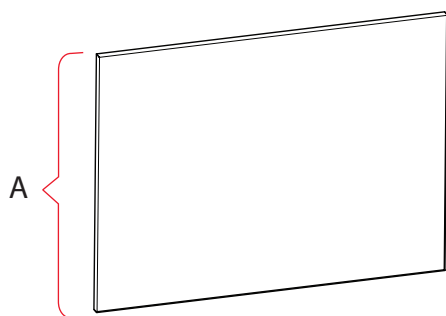
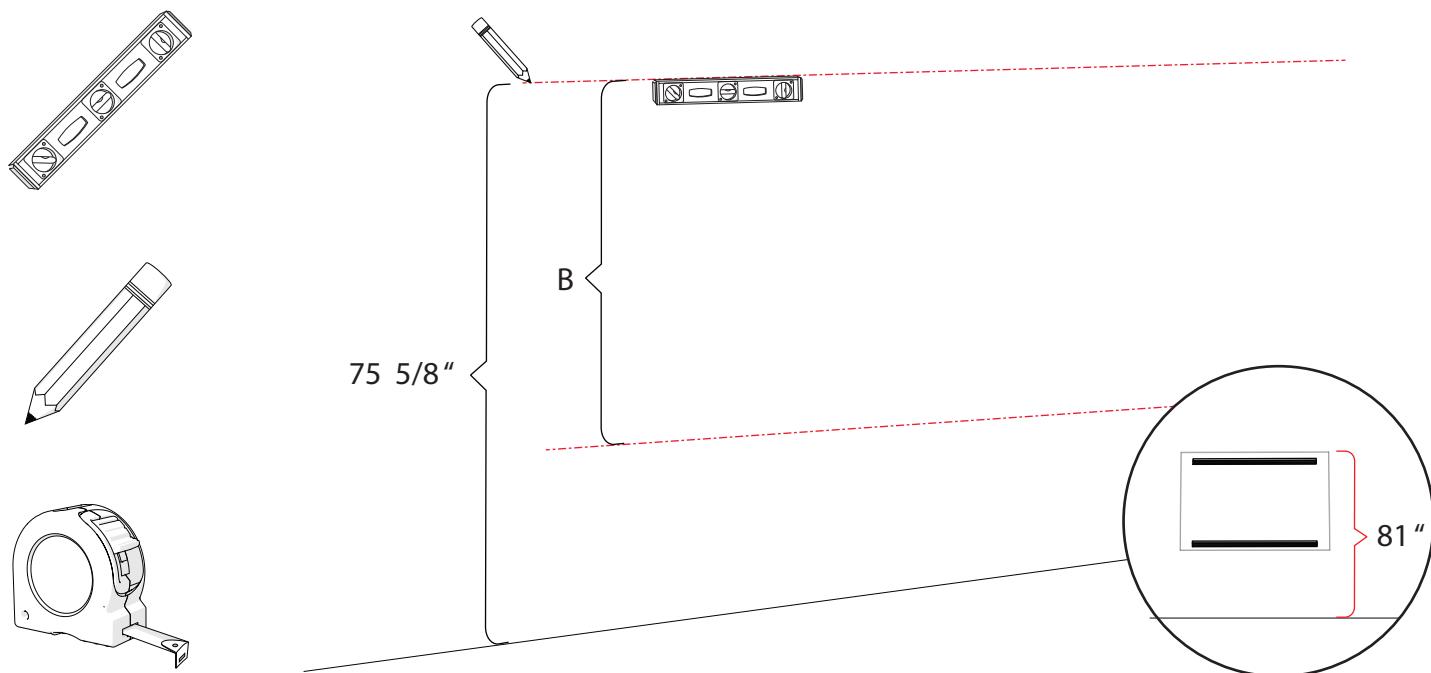
Dimension Stele LINXX



DMOL - DMIB - DMOR

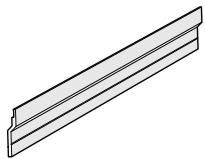
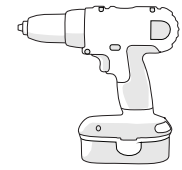
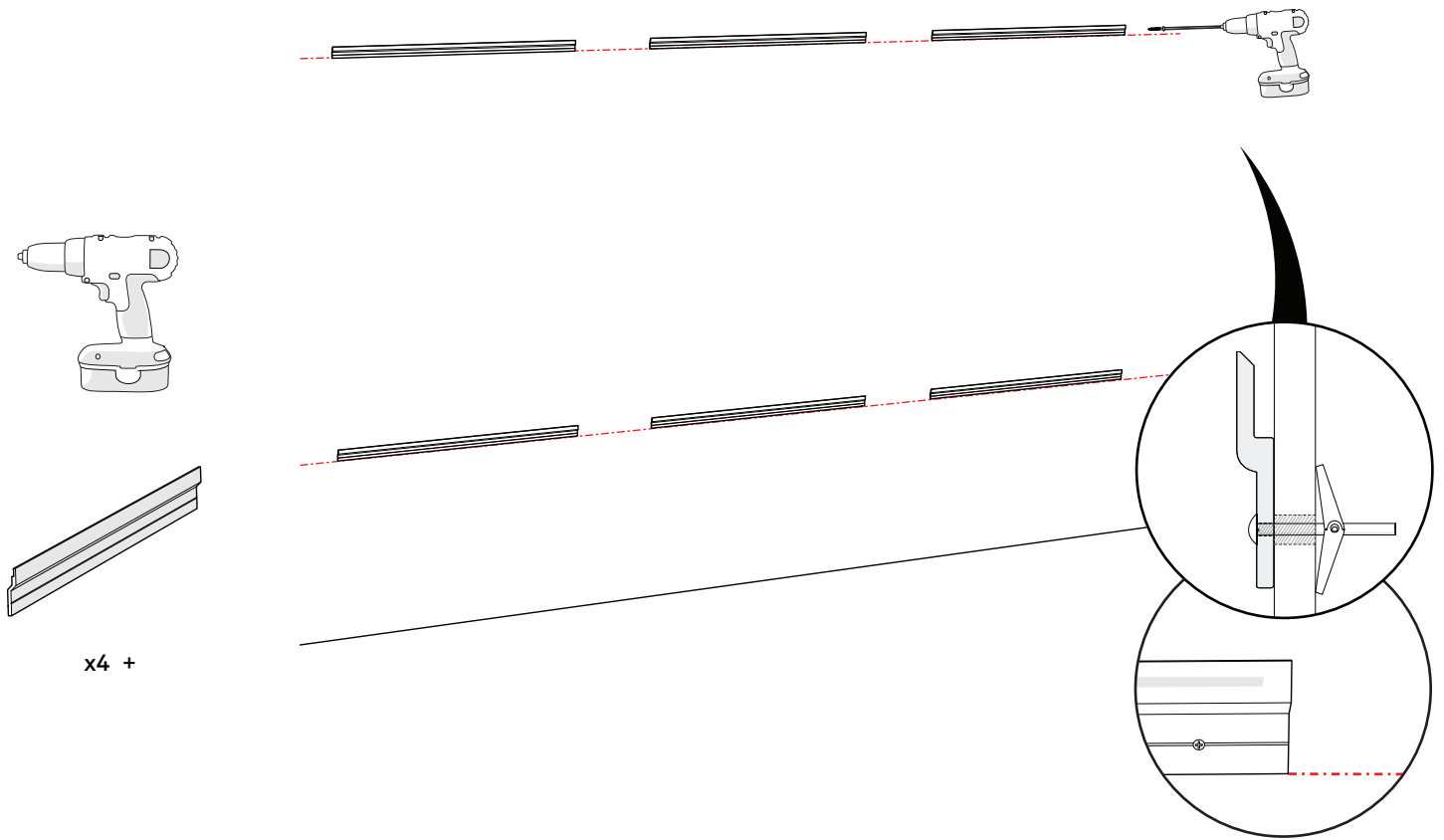


Assembly & Installation

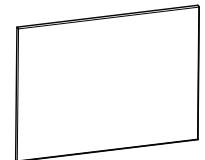
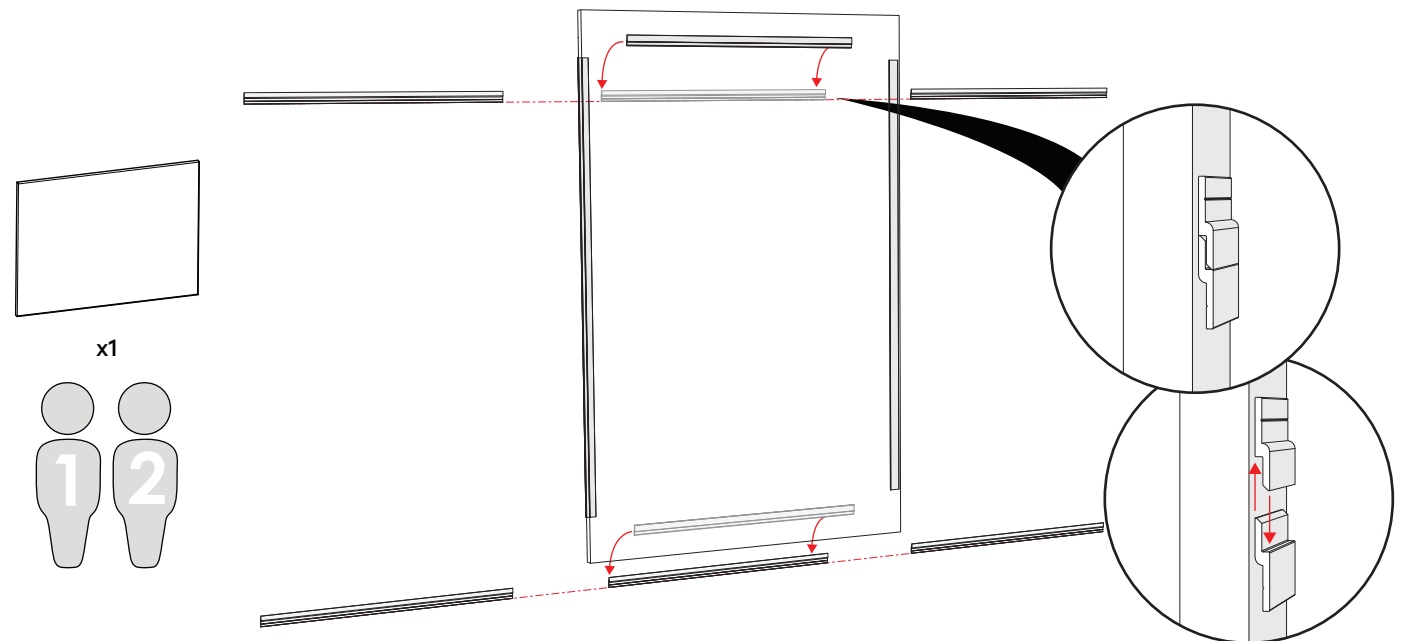


$$(B) = (A) - 13 \frac{7}{16} "$$

Assembly & Installation



x4 +



x1

