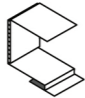
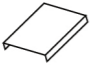
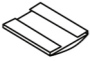






TOP MOUNT MARKERBOARD INCLUDED HARDWARE

- 2 Brackets 
- 2 Locking Clips 
- 2 Spacers 

WALL MOUNT MARKERBOARD INCLUDED HARDWARE




- 1 Wall Mounting Strip 

SYSTEM MOUNT MARKERBOARD INCLUDED HARDWARE

- 4 Hooks 
- 4 Screws 

MOUNTING HARDWARE OPTIONS

ALL MODELS INCLUDE THE FOLLOWING:

- 4 Markers 
- 1 Egan Cloth 
- 1 Pen Tray 

REQUIREMENTS :

- Drill, 1/8" Bit
- Slot Screw Driver

5-YEAR LIMITED WARRANTY

Egan warrants the frame construction and the finish of all its products for normal and reasonable use for a period of five years from the date of invoice. This warranty does not apply to components not manufactured by Egan. Egan offers a lifetime warranty for the proper cleaning of the porcelain writing surface, provided proper care has been maintained. No warranties other than those contained herein shall be implied. All decisions of workmanship, failure, misuses, and abuse remain with Egan. Items may only be returned with prepaid shipping, and with Egan's prior written consent. This warranty does not apply to defects resulting from negligence, lack of normal maintenance, or improper cleaning.

Warning: Please consult a professional installer for appropriate mounting hardware and fasteners.

Checked by:

Print Name

Signature

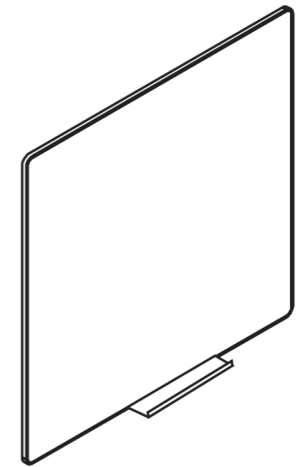
Print Name

Signature



Egan Visual Inc.
 North America
 1-800-263-2387
 International
 +1-905-851-2826
 www.egan.com

#024H219_R9 10/07:PDF ©2013 Egan Visual Inc. Printed in Canada.



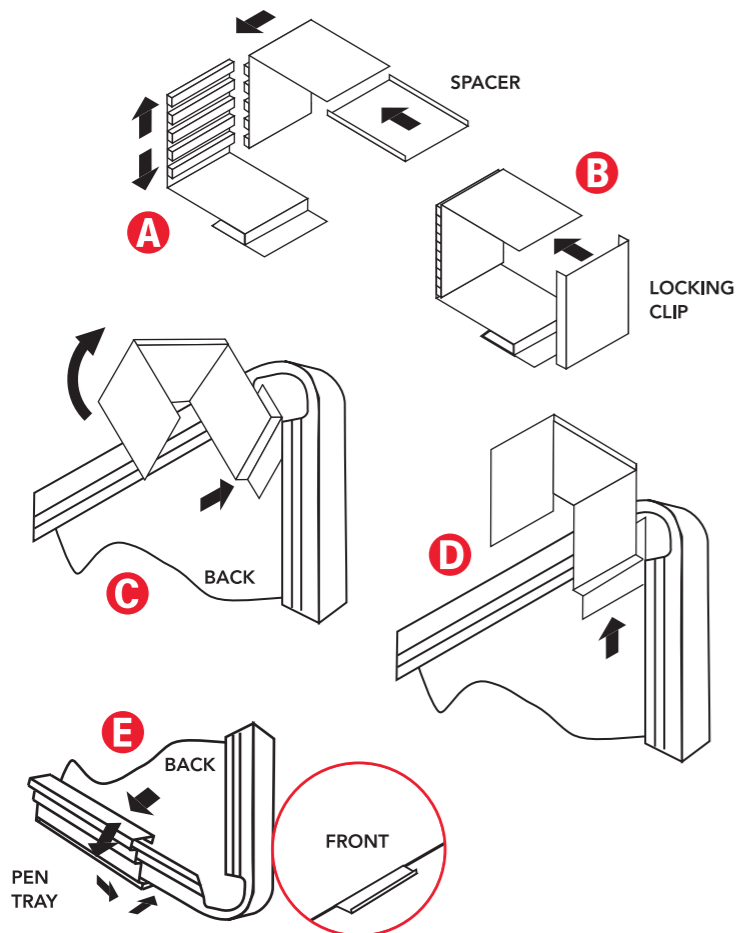
MARKERBOARDS

ALUMINUM FRAME

ASSEMBLY INSTRUCTIONS

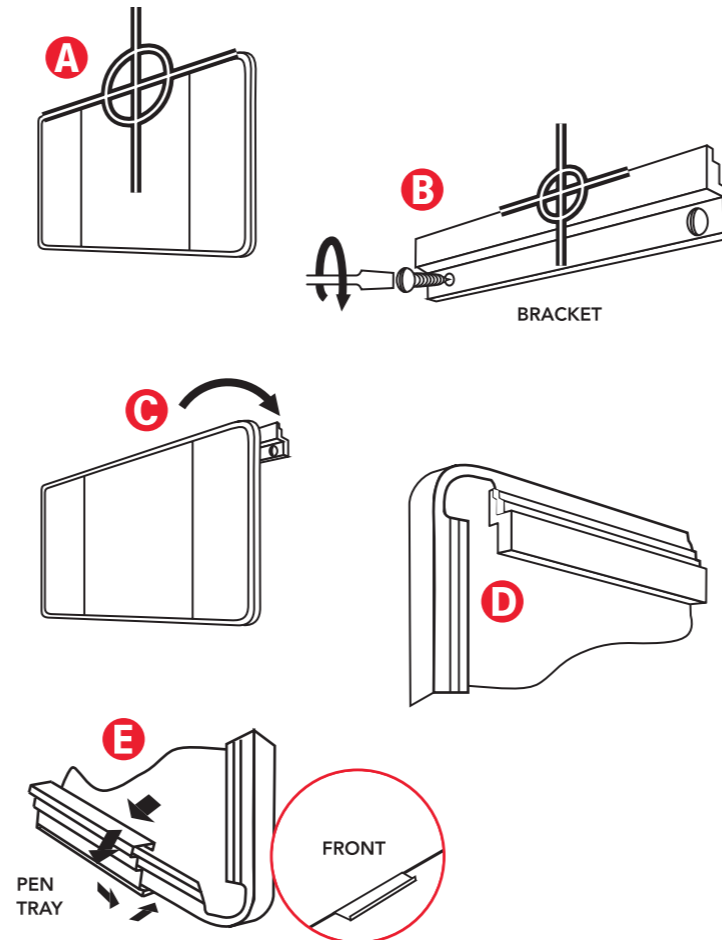
HOW TO INSTALL A TOP MOUNT MARKERBOARD

- 1 Adjust bracket to match screen and join with appropriate dovetail slot, as shown in picture **A**.
- 2 When the bracket is assembled, attach the Locking Clip (thinner of the two pieces provided), as in picture **B**.
- 3 Slide the edge of bracket under frame on the back of the board, as shown in picture **C**, and lock by twisting towards corner, as shown in picture **D**.
- 4 Hook the inside edge of the Pen Tray to the inside edge of the frame on the back of the board, as shown in picture **E**. Rotate the Pen Tray forward so that it clips to the bottom of the frame. You will feel it snap into place.



HOW TO INSTALL A WALL MOUNT MARKERBOARD

- 1 Remove bracket taped to back of markerboard, and line up with center of mounting area as shown in picture **A**.
- 2 Fasten bracket to wall using two suitable fasteners as in picture **B**.
- 3 Hang the markerboard over the bracket, picture **C** with its corresponding angle, picture **D**.
- 4 Double-sided tape on the back in bottom corners ensures complete stability.
- 5 Hook the inside edge of the Pen Tray to the inside edge of the frame on the back of the board, as shown in picture **E**. Rotate the Pen Tray forward so that it clips to the bottom of the frame. You will feel it snap into place.



HOW TO INSTALL A SYSTEM MOUNT MARKERBOARD

- 1 All markerboards come with four hooks which you attach to the back of the frame, near each corner with the screws provided, picture **A**.
- 2 To ease installation position hooks so they align with the hole pattern on the slotted track.
- 3 To insure hooks are completely seated you can extend the hooks as shown in picture **B**. Warning: Hooks must be completely seated for safe installation.
- 4 Hook the inside edge of the Pen Tray to the inside of the frame on the back of the board, as shown in picture **C**. Rotate the Pen Tray forward so that it clips to the bottom of the frame. You will feel it snap into place.

