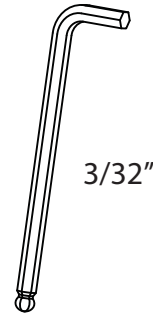
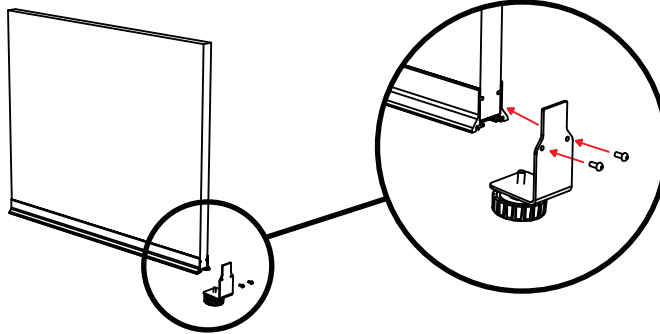
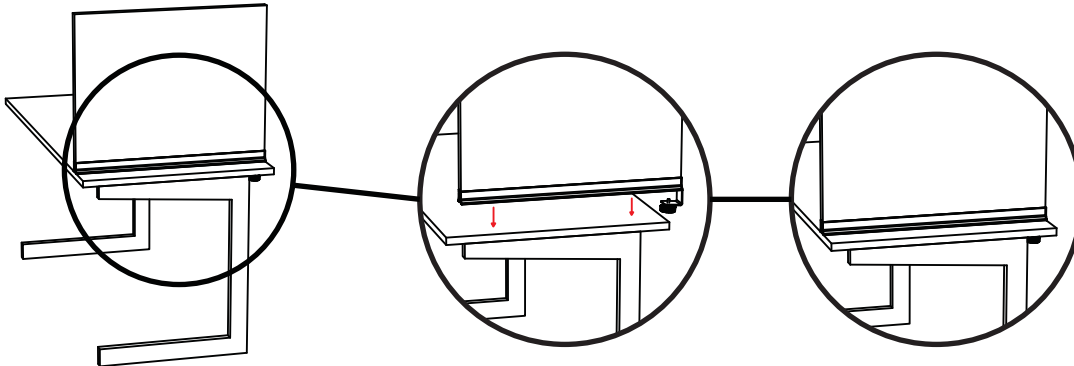


1

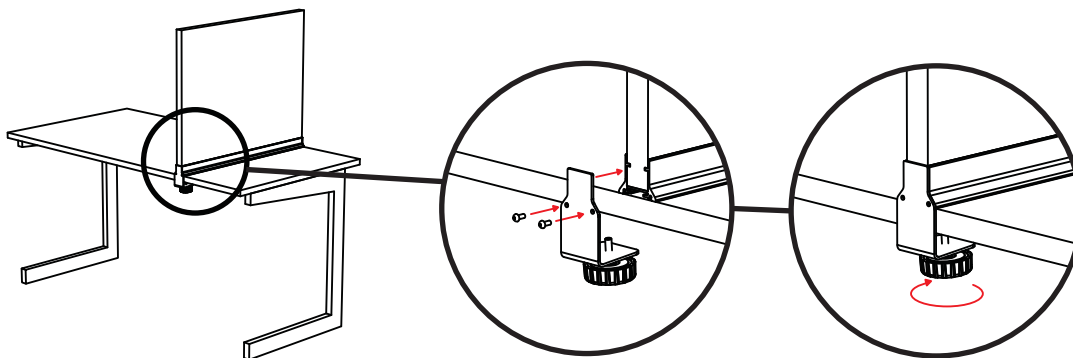


3/32"

2



3



3/32"

PROPRIETARY AND CONFIDENTIAL:
THE INFORMATION CONTAINED IN THIS DRAWING IS THE SOLE PROPERTY OF
EGAN VISUAL INC. ANY REPRODUCTION IN PART OR AS A WHOLE WITHOUT
THE WRITTEN PERMISSION OF EGAN VISUAL INC IS PROHIBITED.

Dimension Divider (Clamp Mount Option) FORM-0384 Rev1

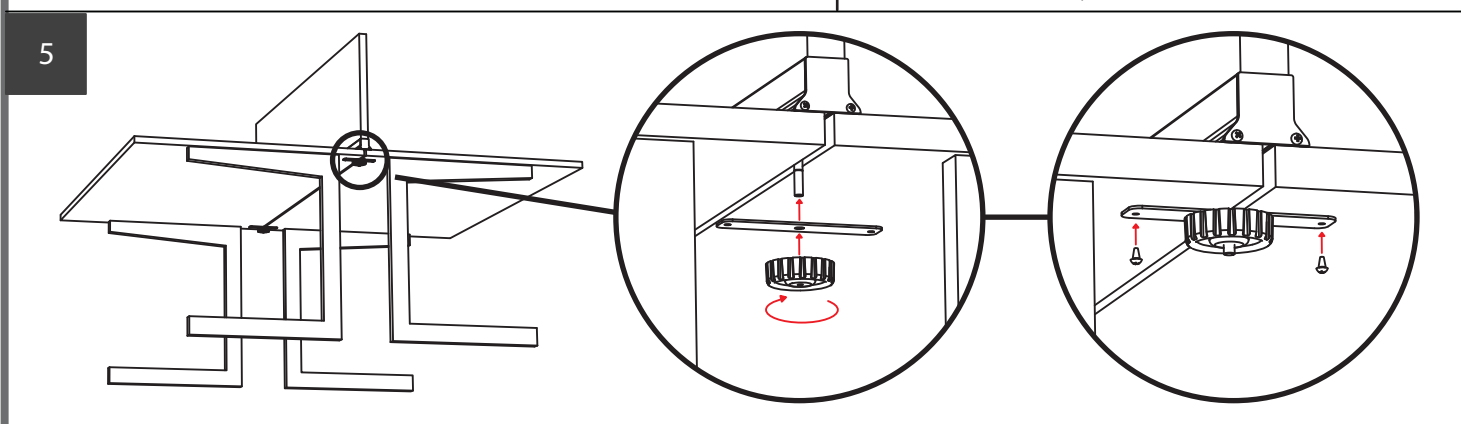
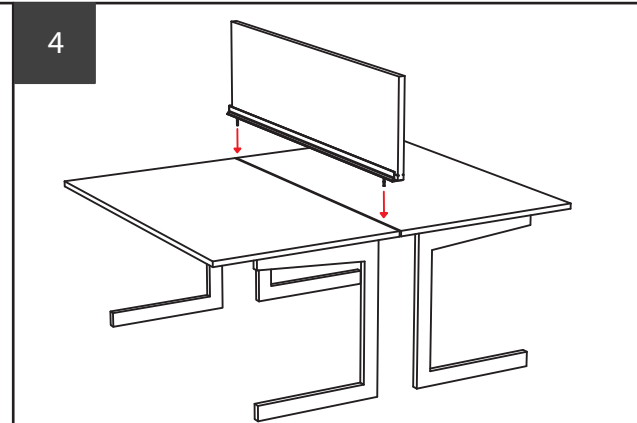
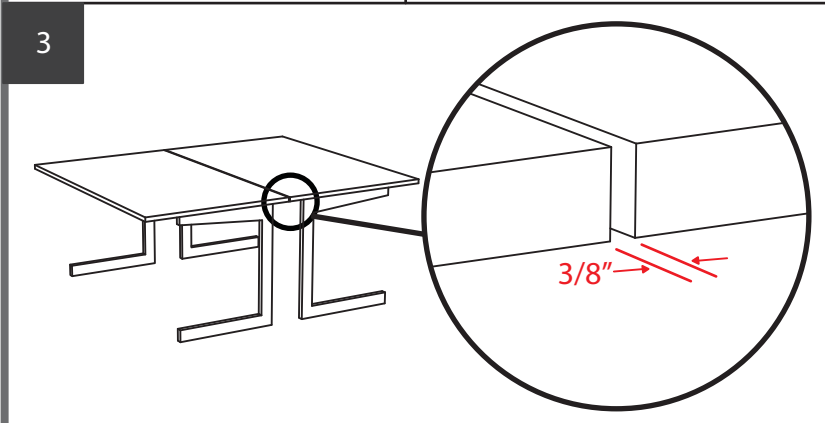
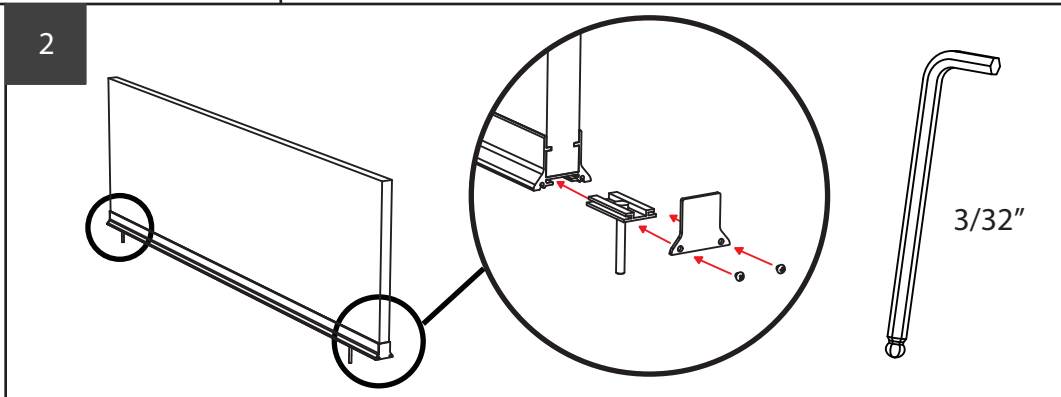
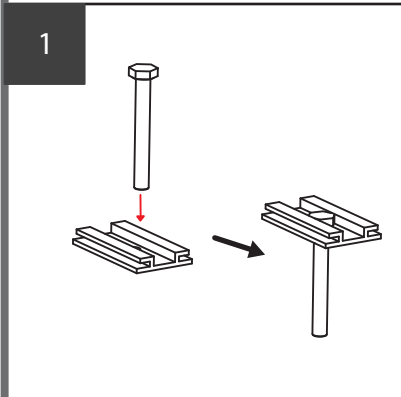
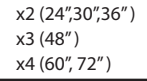
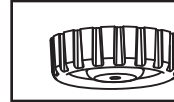
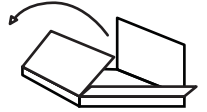
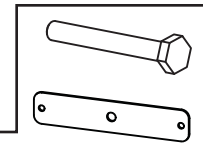
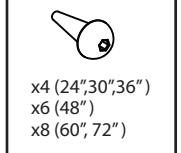
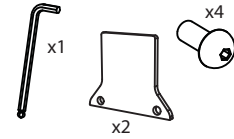
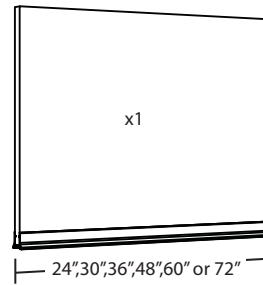
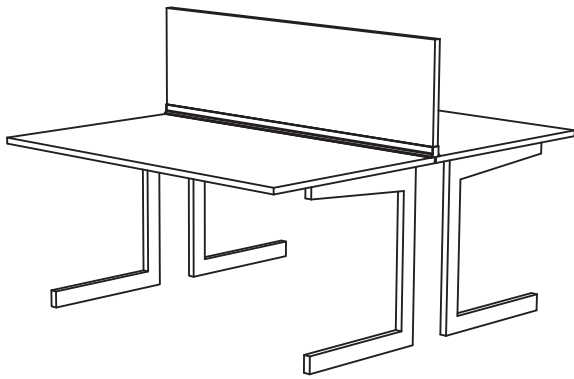


EGAN VISUAL INC.
300 Hanlan Road
Woodbridge, ON L4L 3P6

Tel: (905) 851-2826 Fax: (905) 851-3426
(800) 263-2316 Email: evc@egan.com



PRODUCT CODE: --	MATERIAL: --	DRAWN BY: YB	DATE DRAWN: 04 MAY 2012
RMC: --	FINISH: --	APPROVED BY: JW	DATE APPROVED: 04 MAY 2012
NC CODE: --	DO NOT SCALE DRAWING	SCALE: NTS	UNITS: --
GENERAL TOLERANCE: UNLESS SPECIFIED OTHERWISE		DRAWING NO: 024H106_R1	SHEET: 1 OF 1



PROPRIETARY AND CONFIDENTIAL:
 THE INFORMATION CONTAINED IN THIS DRAWING IS THE SOLE PROPERTY OF
 EGAN VISUAL INC. ANY REPRODUCTION IN PART OR AS A WHOLE WITHOUT
 THE WRITTEN PERMISSION OF EGAN VISUAL INC IS PROHIBITED.

Dimension Divider (Joiner Mount Option)

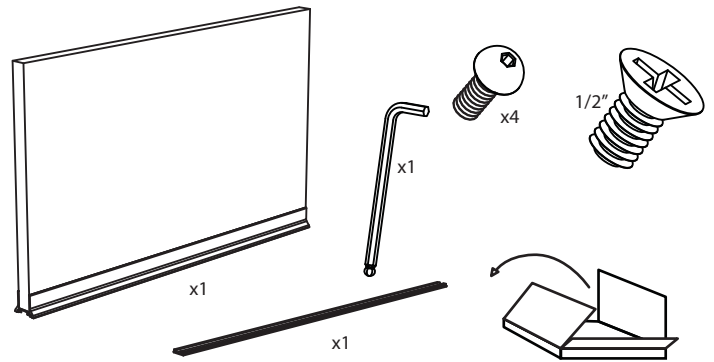
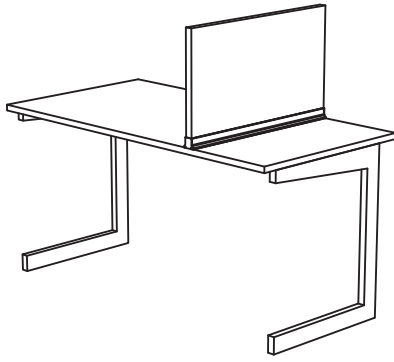


EGAN VISUAL INC.
 300 Hanlan Road
 Woodbridge, ON L4L 3P6

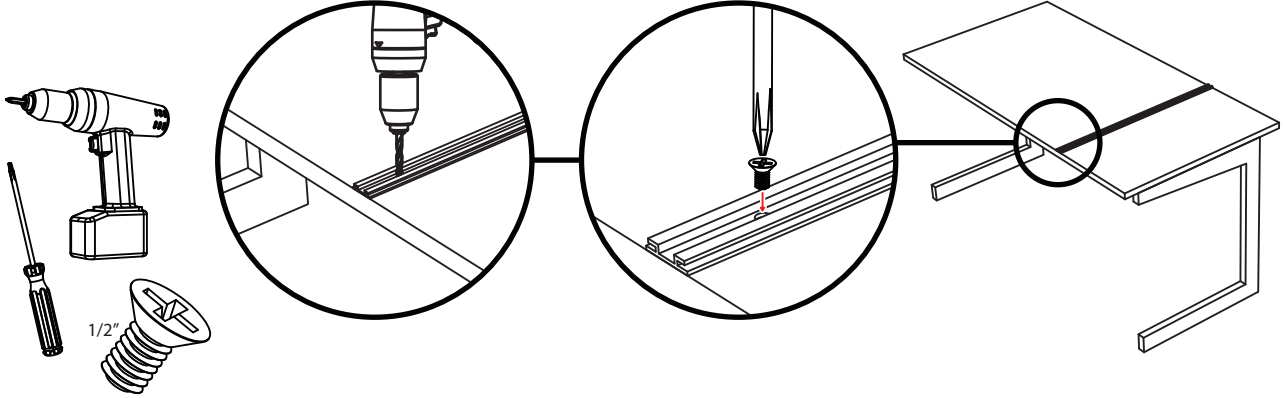
Tel: (905) 851-2826 Fax: (905) 851-3426
 (800) 263-2316 Email: evc@egan.com



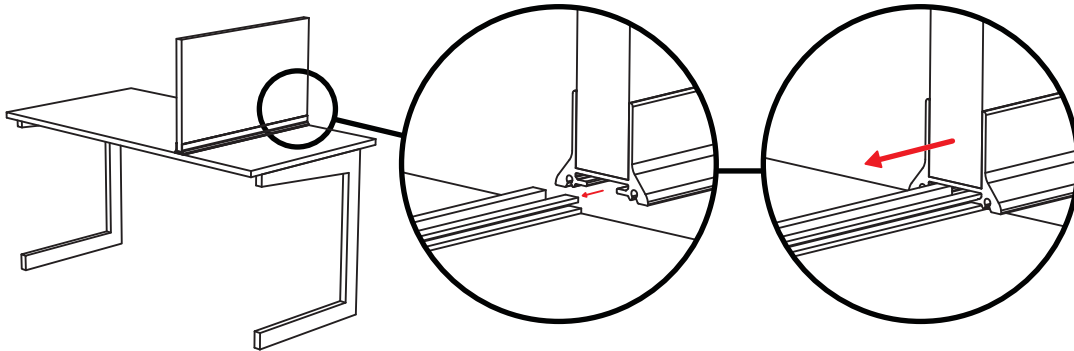
PRODUCT CODE: --	MATERIAL: --	DRAWN BY: YB	DATE DRAWN: 17 JULY 2012
RMC: --	FINISH: --	APPROVED BY: JW	DATE APPROVED: 17 JULY 2012
NC CODE: --	DO NOT SCALE DRAWING	SCALE: NTS	UNITS: --
GENERAL TOLERANCE: -- UNLESS SPECIFIED OTHERWISE		DRAWING NO: 024H113_R1	SHEET: 1 OF 1



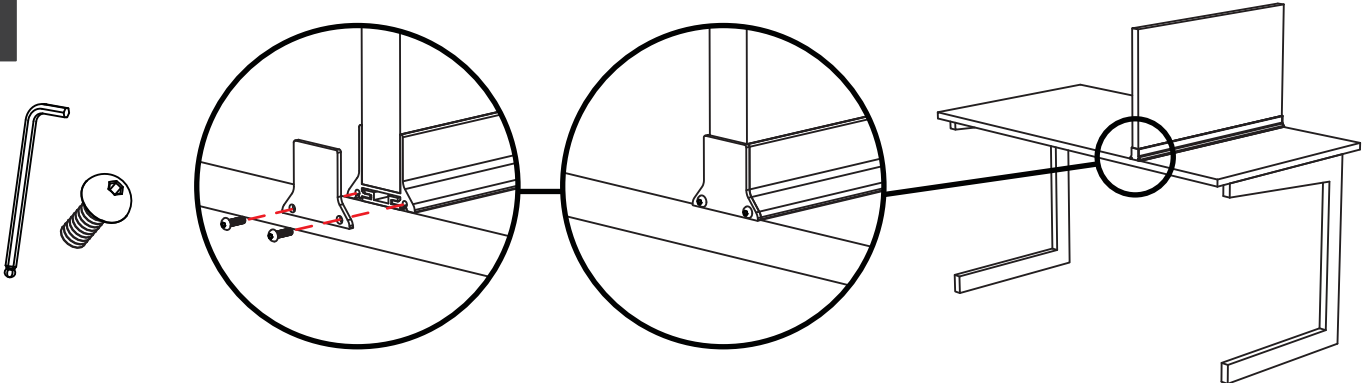
1



2



3



PROPRIETARY AND CONFIDENTIAL:
THE INFORMATION CONTAINED IN THIS DRAWING IS THE SOLE PROPERTY OF
EGAN VISUAL INC. ANY REPRODUCTION IN PART OR AS A WHOLE WITHOUT
THE WRITTEN PERMISSION OF EGAN VISUAL INC IS PROHIBITED.



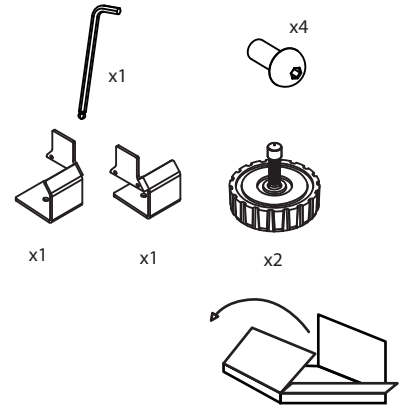
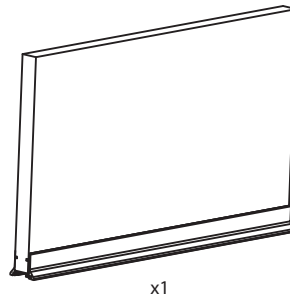
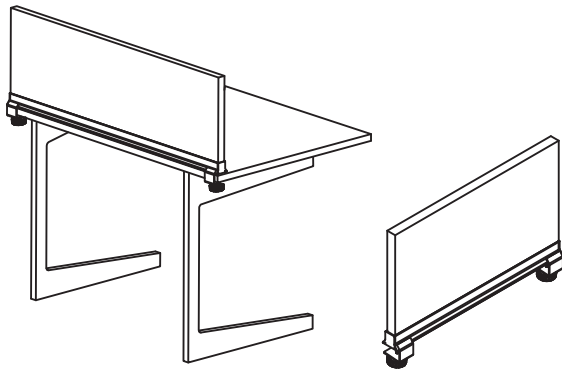
EGAN VISUAL INC.
300 Hanlan Road
Woodbridge, ON L4L 3P6

Tel: (905) 851-2826 Fax: (905) 851-3426
(800) 263-2316 Email: evc@egan.com

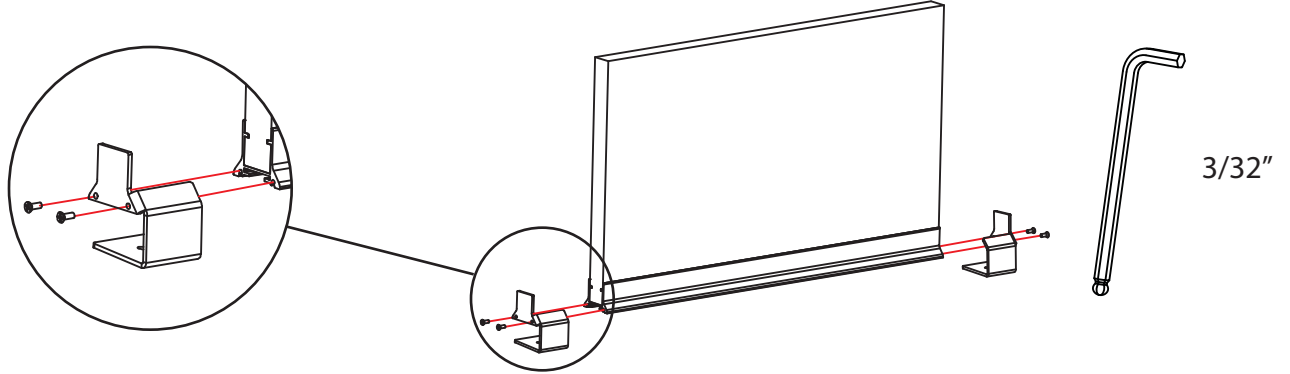


Dimension Divider (Surface Mount) FORM-0383 Rev1

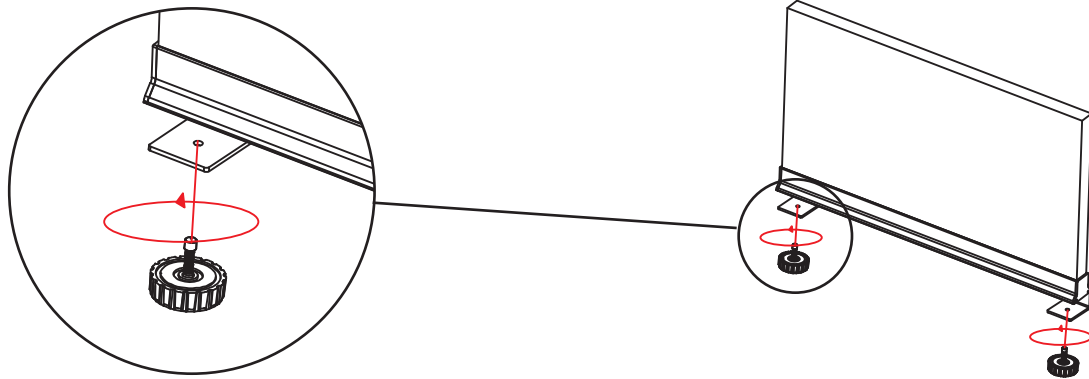
PRODUCT CODE: --	MATERIAL: --	DRAWN BY: YB	DATE DRAWN: 17 DEC 2012
RMC: --	FINISH: --	APPROVED BY: --	DATE APPROVED: DD/MON/YY
NC CODE: --	DO NOT SCALE DRAWING	SCALE: NTS	UNITS: --
GENERAL TOLERANCE: ±-- UNLESS SPECIFIED OTHERWISE		DRAWING NO: 024H116_R2	SHEET: 1 OF 1





1





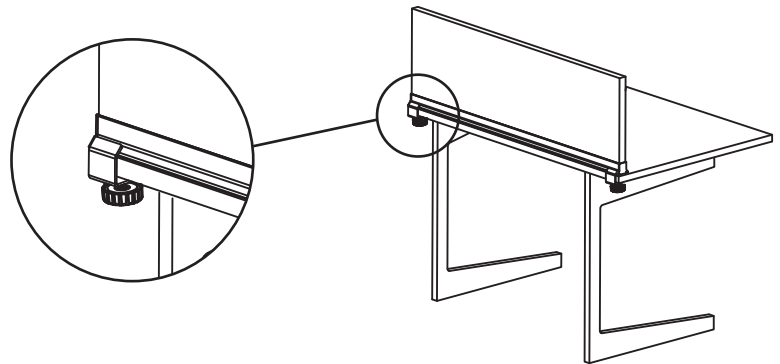
2



3

- E1  002T387L-EM
-  002T387R-EM

- E2  002T389L-EM
-  002T389R-EM



PROPRIETARY AND CONFIDENTIAL:
THE INFORMATION CONTAINED IN THIS DRAWING IS THE SOLE PROPERTY OF
EGAN VISUAL INC. ANY REPRODUCTION IN PART OR AS A WHOLE WITHOUT
THE WRITTEN PERMISSION OF EGAN VISUAL INC IS PROHIBITED.

Dimension Divider (Edge Mount Option) Form 0386 Rev 1



EGAN VISUAL INC.
300 Hanlan Road
Woodbridge, ON L4L 3P6

Tel: (905) 851-2826 Fax: (905) 851-3426
(800) 263-2316 Email: evc@egan.com



PRODUCT CODE: --	MATERIAL: --	DRAWN BY: JD	DATE DRAWN: 01/05/2013
RMC: --	FINISH: --	APPROVED BY:	DATE APPROVED:
NC CODE: --	DO NOT SCALE DRAWING	SCALE: NTS	UNITS: --
GENERAL TOLERANCE: UNLESS SPECIFIED OTHERWISE		DRAWING NO: 024H125	SHEET: 1 OF 1