

1

2

3

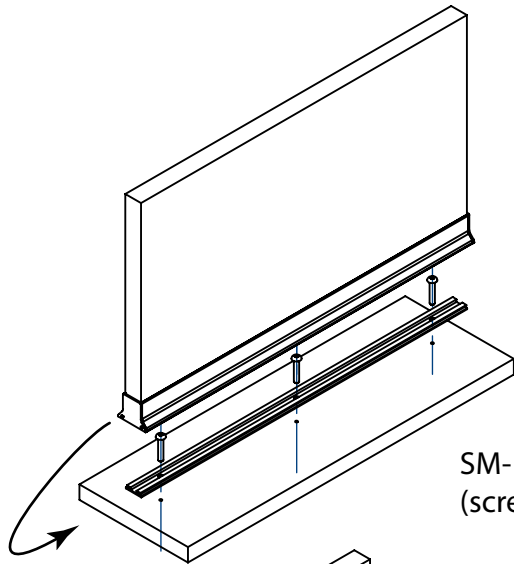
4

5

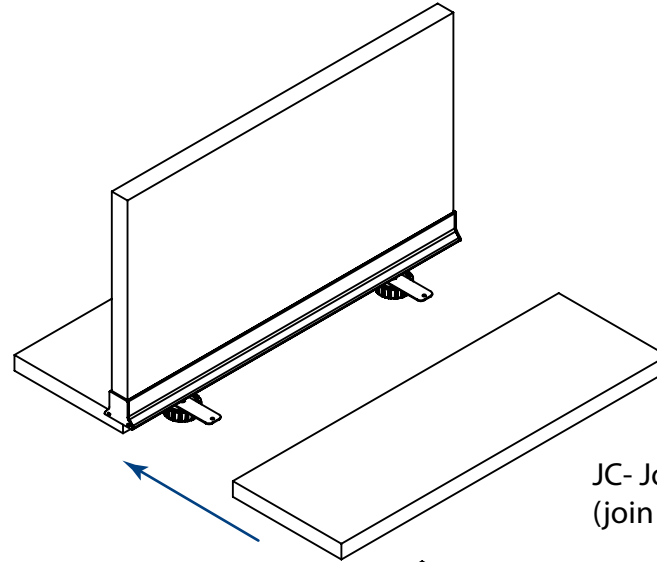
C

B

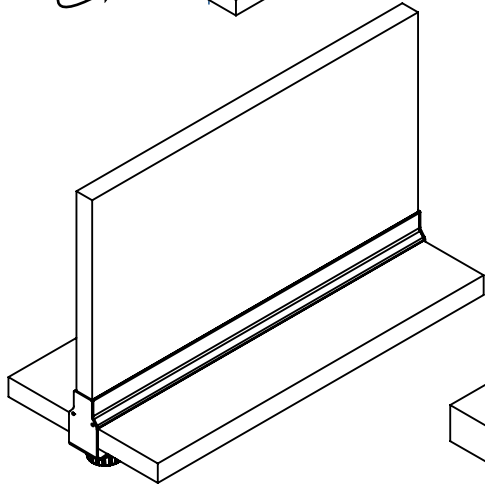
A



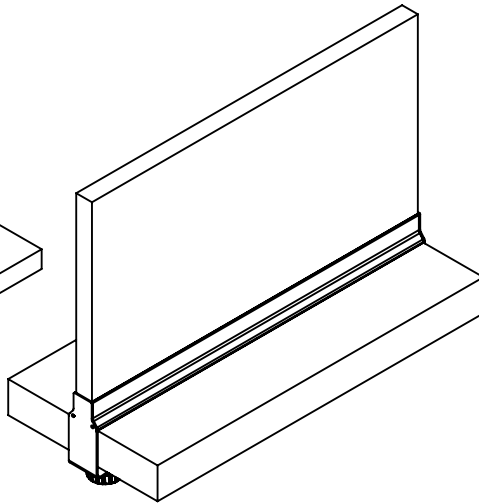
SM- Surface Mount  
(screw on bracket, slide divider on)



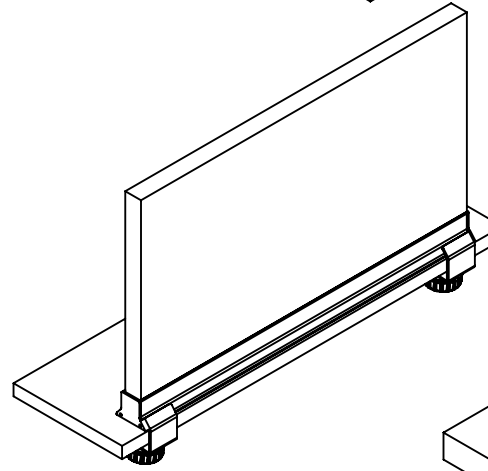
JC- Joiner Clamp  
(join 2 tables)



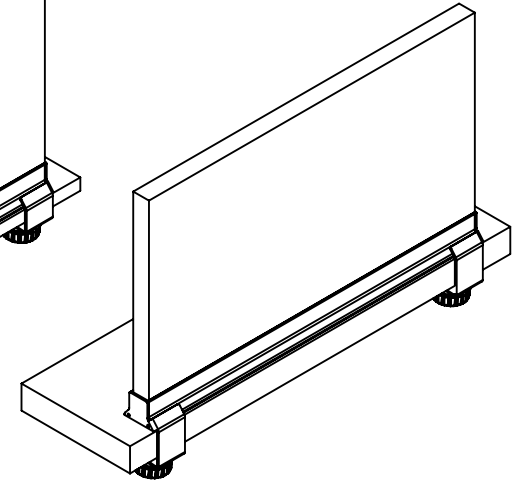
C1- Cross Table Clamp  
(7/8"- 1 1/8" table thickness)



C2- Cross Table Clamp  
(1 1/8"- 1 1/2" table thickness)



E1 - Edge Mount Table Clamp  
(7/8"- 1 1/8" table thickness)



E2- Edge Mount Table Clamp  
(1 1/8"- 1 1/2" table thickness)

--	--	DD/MON/YY	--
R1	YB	21/11/2013	Changed table thickness
REVISION	INITIALS	DATE	REVISION DESCRIPTION

PROPRIETARY AND CONFIDENTIAL:  
THE INFORMATION CONTAINED IN THIS DRAWING IS THE SOLE PROPERTY  
OF EGAN VISUAL INC. ANY REPRODUCTION IN PART OR AS A WHOLE  
WITHOUT THE WRITTEN PERMISSION OF EGAN VISUAL INC IS PROHIBITED.

Dimension TableScreens- Mounting Options



EGAN VISUAL INC.  
300 Hanlan Road  
Woodbridge, ON L4L 3P6

Tel: (905) 851-2826 Fax: (905) 851-3426  
(800) 263-2316 Email: evc@egan.com



PRODUCT CODE: --	MATERIAL: --	DRAWN BY: mc	DATE DRAWN: 07/12/12
RMIC: --	FINISH: --	APPROVED BY: --	DATE APPROVED: DD/MON/YY
NC CODE: --	DO NOT SCALE DRAWING	SCALE: 1:10	UNITS: INCHES
GENERAL TOLERANCE: ± 0.010 UNLESS SPECIFIED OTHERWISE	DRAWING NO: Dimension Divider Mount Options	SHEET: 1 OF 1	