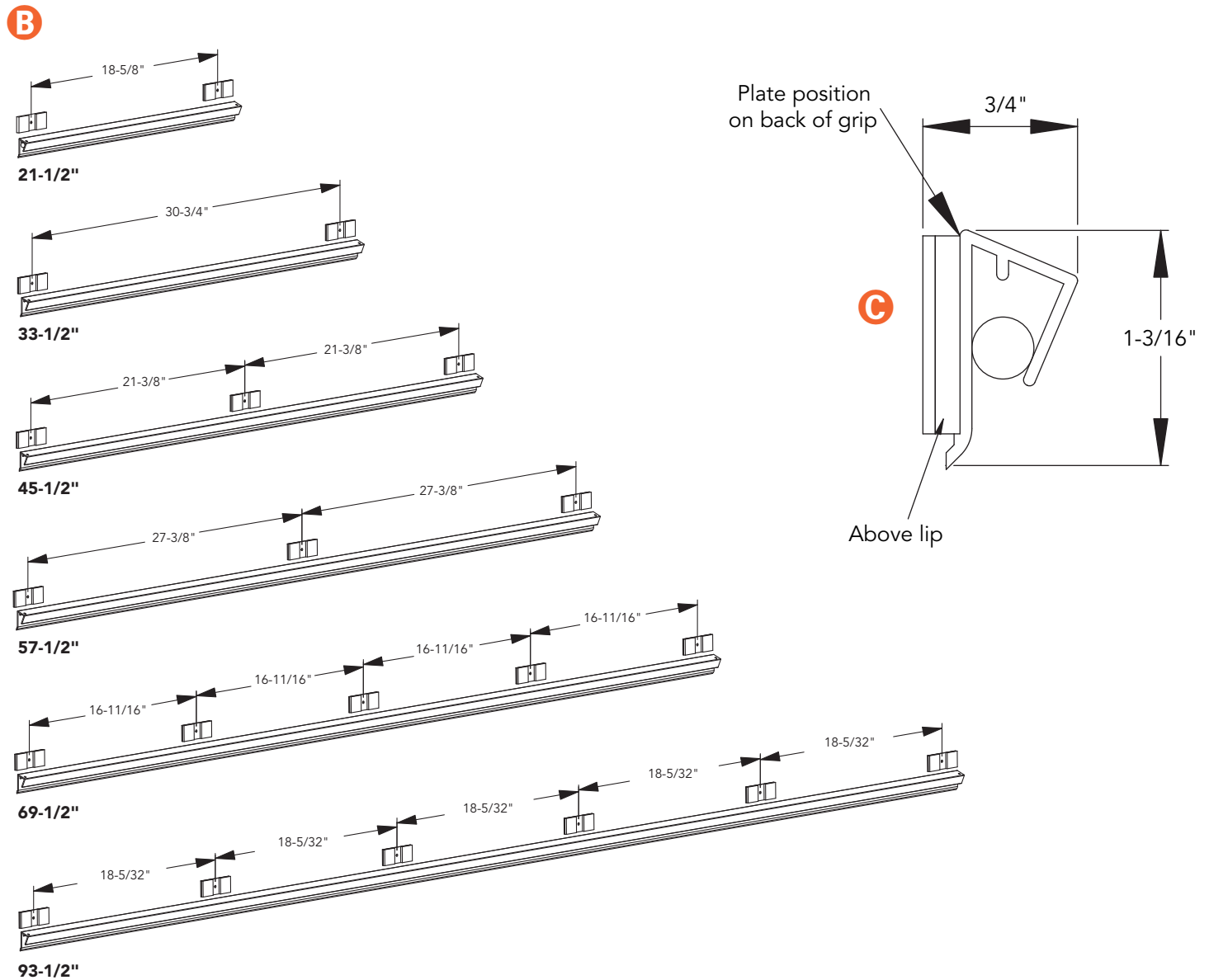
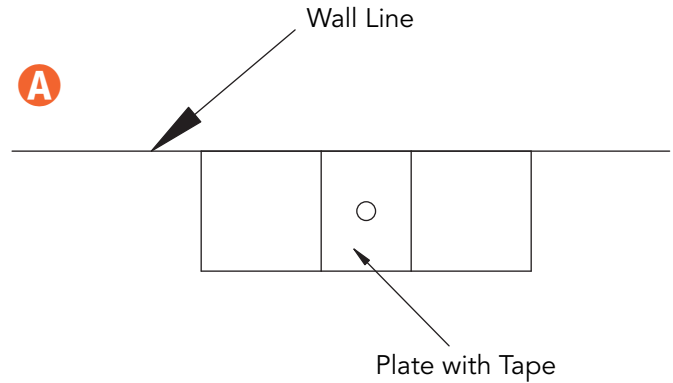


**Please note: for drywall installation, use toggles provided**

1. Place grip on wall at desired position.
2. Use a pencil to draw a line across the top of entire grip. Use the line as a guide to position the mounting plates (see diagram **A**). Ensure that the double-sided adhesive is on the surface away from the wall. (See diagram **B** for recommended plate position based on length of Grip.)
3. Remove protective tape from double-sided adhesive.
4. Press grip to plates. Refer to diagram **C** for plate position on back of grip.



Egan Visual Inc.  
 North America  
 1-800-263-2387  
 International  
 +1-905-851-2826

email: support@egan.com  
 www.egan.com

#024H550 03/04:PDF © 2004 Egan Visual Inc. Printed in Canada.  
 All Rights Reserved. Specifications are subject to change without notice.  
 This document is available online at [www.egan.com/docs/024H550\\_G-PM.pdf](http://www.egan.com/docs/024H550_G-PM.pdf)