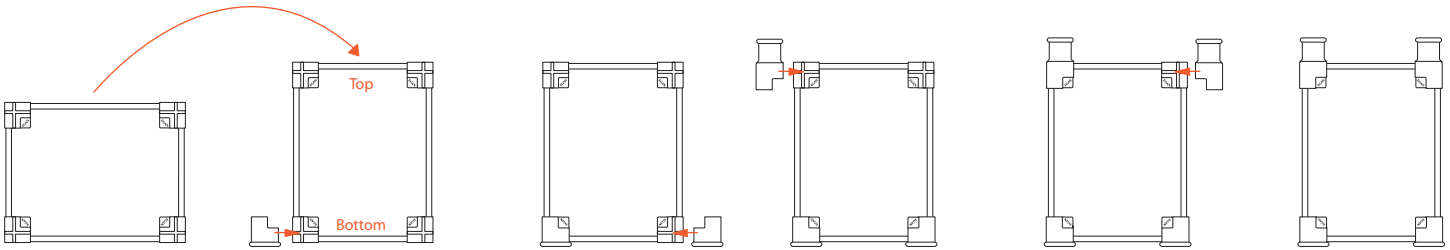


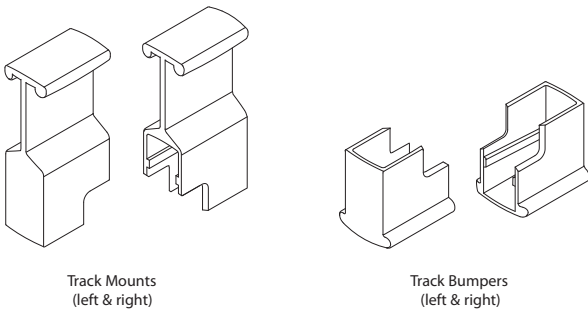
EganSystem 202 (EMTB & EETB) Corner Mounting Instructions



Corner Mount Assembly: attach the track bumpers and track corner mounts, as shown above, before mounting on track.
Switch from a horizontal for mat to a vertical format in a snap!

Each EganSystem 202 Track Kit includes:

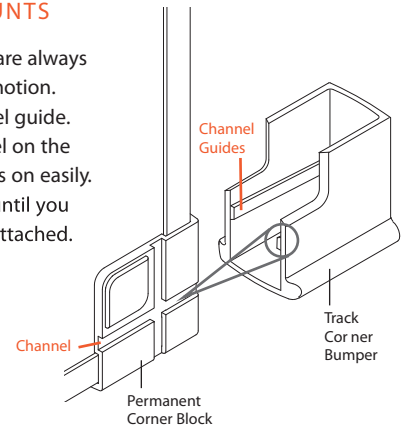
2 Track Mounts, 2 Track Bumpers



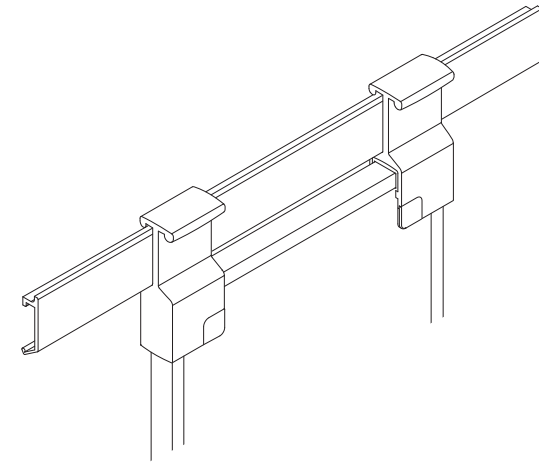
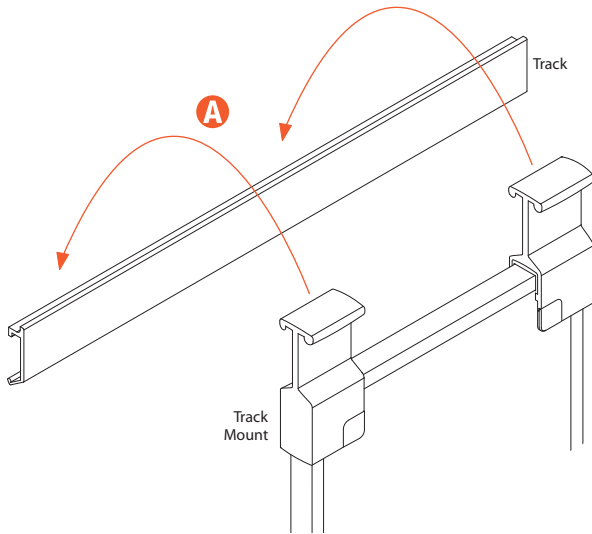
HOW TO INSTALL CORNER MOUNTS

Corner track mounts and track bumpers are always installed onto the board in a horizontal motion. Each corner mount/bumper has a channel guide. When the guide lines up with the channel on the permanent corner block, the corner slides on easily. They are designed to fit snugly, so push until you feel the mount lock, to ensure it's firmly attached.

To remove, grip corner mount firmly and pull it away from the board, again horizontally. Wiggling the mount up and down as you pull will assist in removing the snug-fitting mounts.



Track Mounting:



A With the corner track mounts and track bumpers installed, place the EganBoard onto the EganSystem T rack.

For track installation, refer to the Track Assembly Instructions.

Egan Visual Inc.

North America: 1-800-263-2387

International: + 1-905-851-2826

email: support@egan.com www .egan.com

#024H250_R4 08/07:2M © 200 7 Egan Visual Inc. Printed in Canada.
All Rights Reserved. Specifications are subject to change without notice.

This document is available online at www.egan.com/docs/024H250_R4.pdf

10-YEAR LIMITED WARRANTY ON EVS

Egan warrants the frame construction and the finish of all its products for normal and reasonable use for a period of five years from the date of invoice. This warranty does not apply to components not manufactured by Egan. Egan offers a lifetime warranty for the proper cleaning of the porcelain writing surface, provided proper care has been maintained. No warranties other than those contained herein shall be implied. All decisions of workmanship, failure, misuse, and abuse remain with Egan. Items may only be returned with prepaid shipping, and with Egan's prior written consent. This warranty does not apply to defects resulting from negligence, lack of normal maintenance, or improper cleaning.