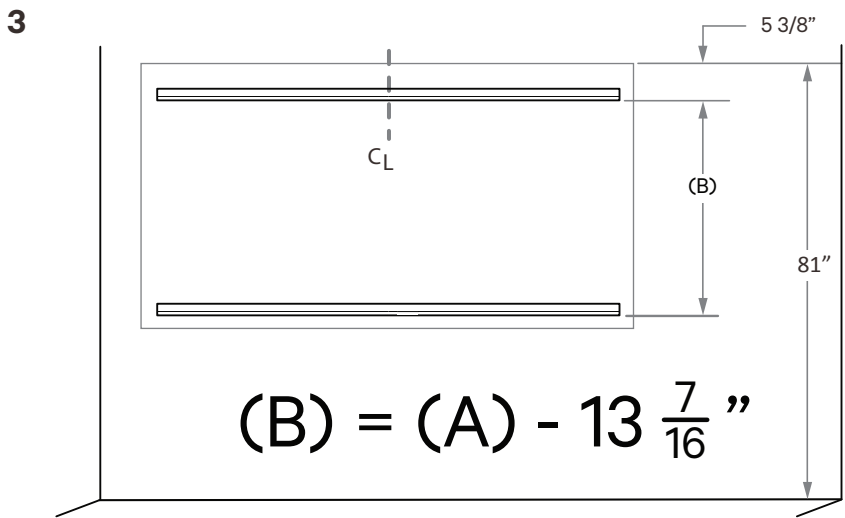
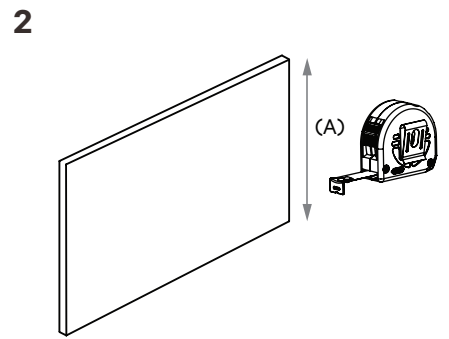
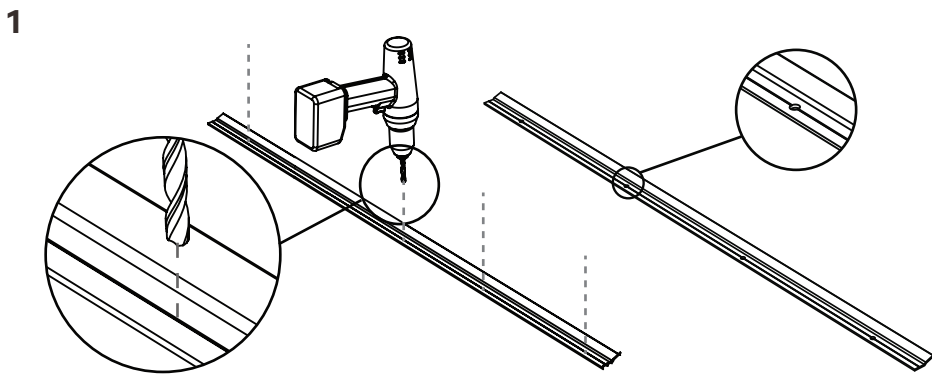
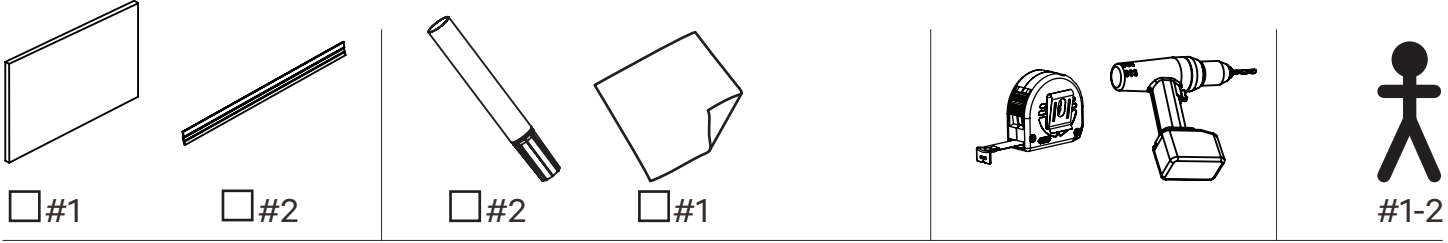


GlassWrite Colors Cleat Markerboard

Installation Instructions
DG Cleat



Production/Quality Control Sign-Off

Name: _____ Signature: _____

Name: _____ Signature: _____

025H038 Egan GlassWrite Colors Cleat Markerboard Installation Instructions 10/17/17 PDF Printed in Canada © Egan Visual Corp., 2017. All Rights Reserved. Specifications subject to change without notice.