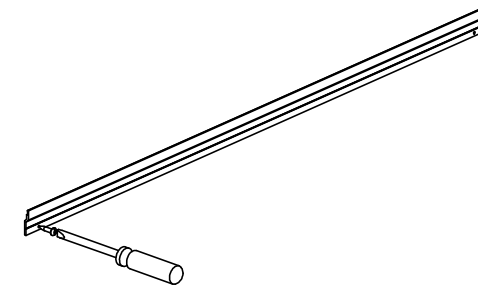
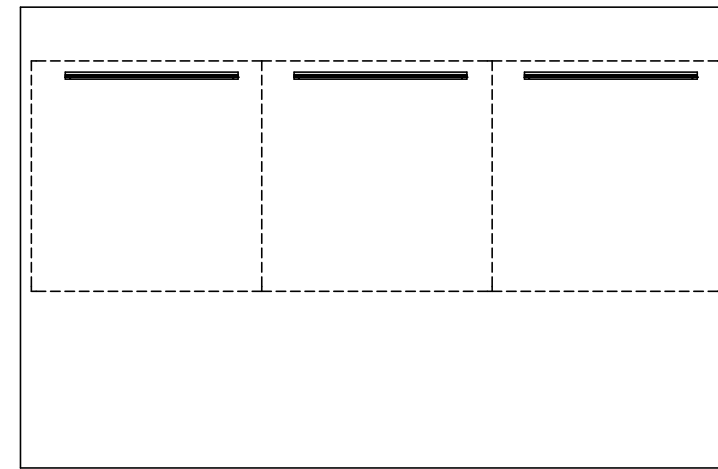
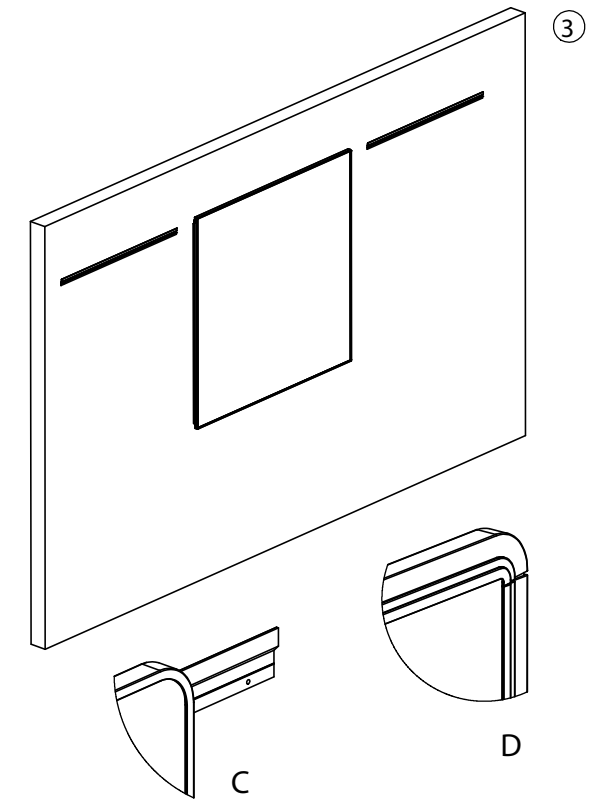


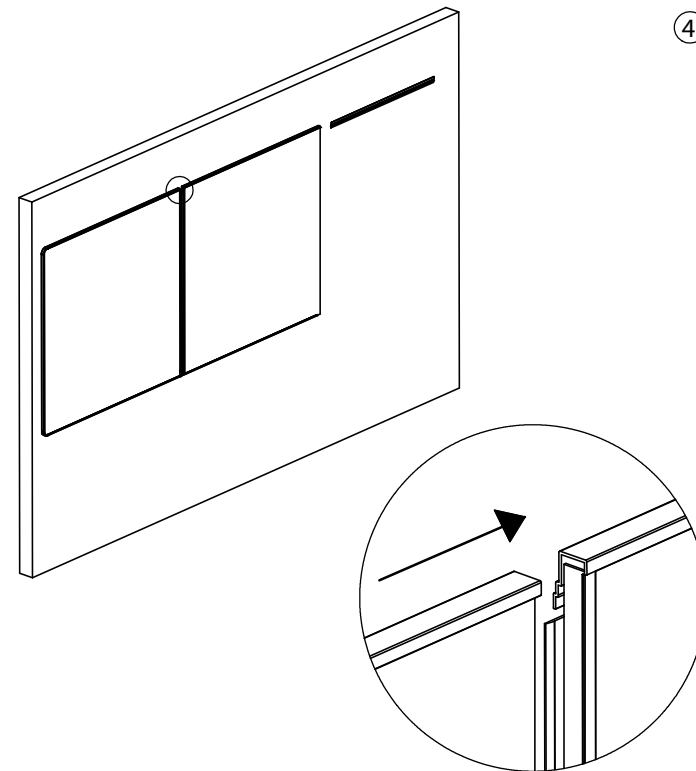
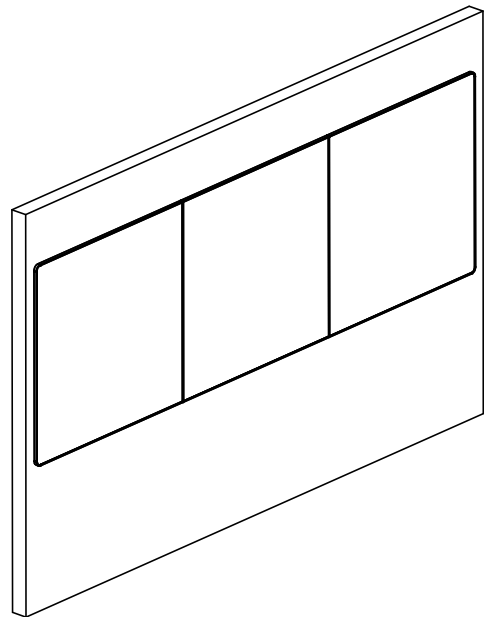
Draw a level line the total length of the linked boards
2 1/8" below of the desired finished height of the boards



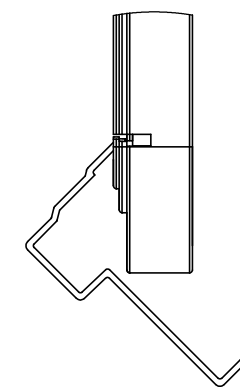
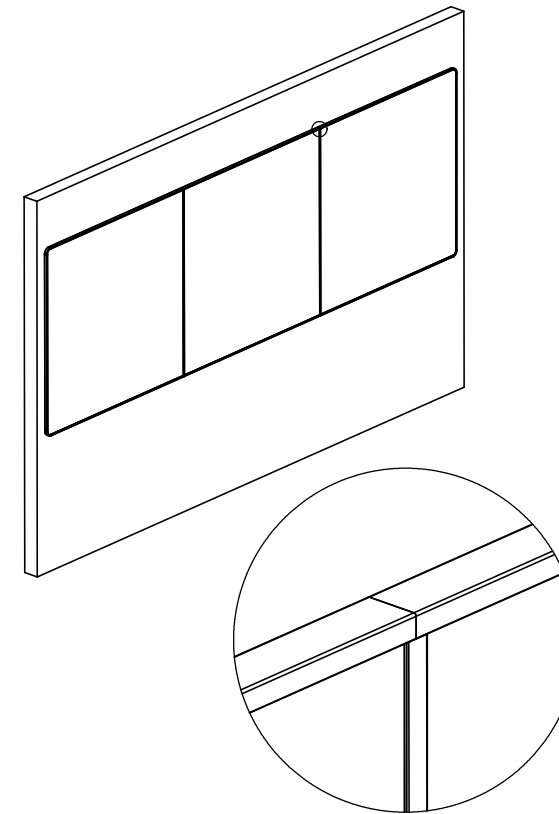
Remove mounting brackets from the back of boards.
Center and fasten brackets to wall using two suitable
fasteners per bracket



Hang middle EganBoard over the bracket, picture C
with its corresponding angle, picture D. double-
sided tape on back in bottom corners ensures
complete stability



Hang left side board onto bracket and slide into middle
board. Repeat with right side board. Double-sided tape
on the back in bottom corners ensures complete stability.



Hook the inside edge of the Pen Tray to the inside
edge of the frame on the back of board, as shown
in picture E. Rotate the Pen Tray forward so that
it clips to the bottom of the frame. You will feel it
snap into place

Comments
or
Questions?
Call US!

USA : 1-800-263-2387
&
Canada