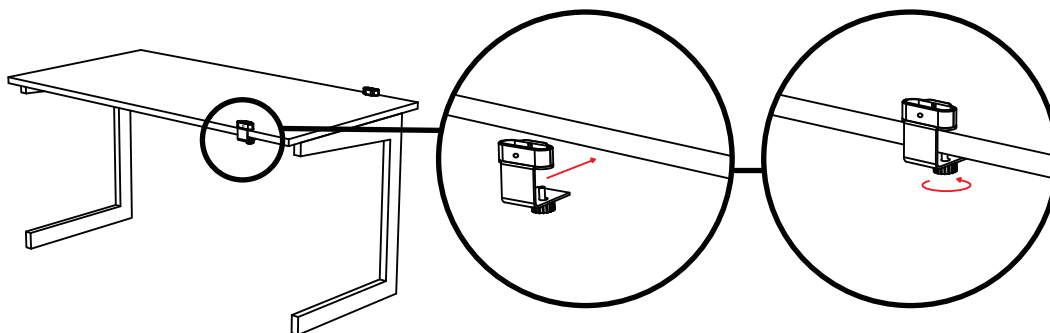
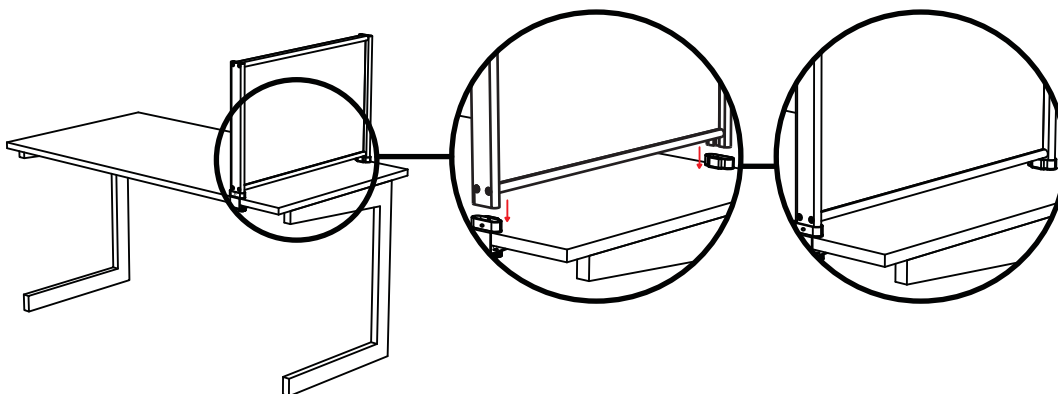


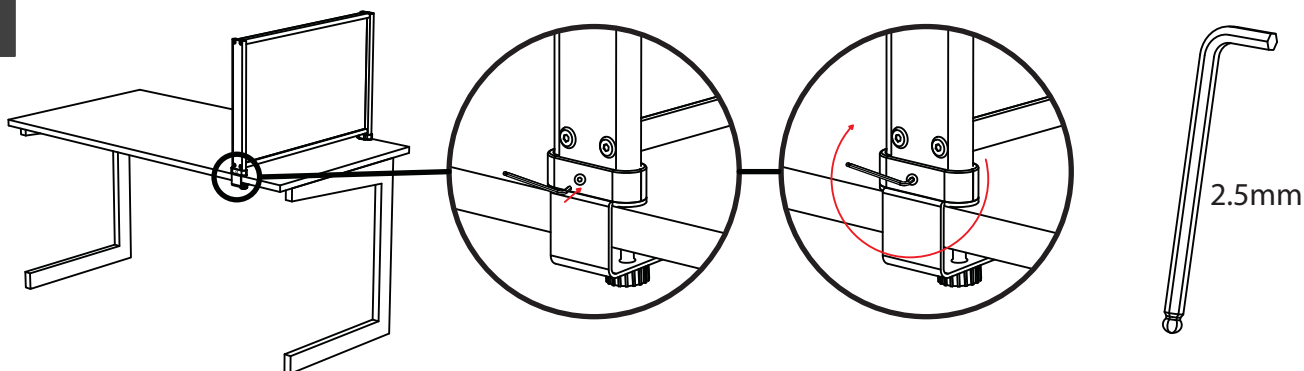
1



2



3



PROPRIETARY AND CONFIDENTIAL:
THE INFORMATION CONTAINED IN THIS DRAWING IS THE SOLE PROPERTY OF
EGAN VISUAL INC. ANY REPRODUCTION IN PART OR AS A WHOLE WITHOUT
THE WRITTEN PERMISSION OF EGAN VISUAL INC IS PROHIBITED.

TSM-CLAMPMOUNT W-0312 Rev1

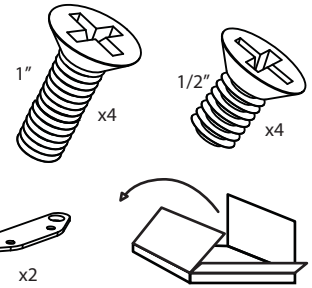
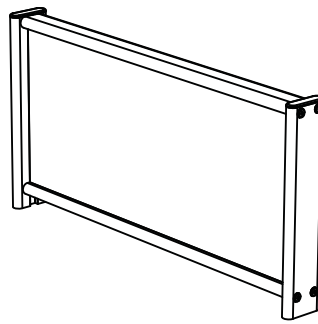
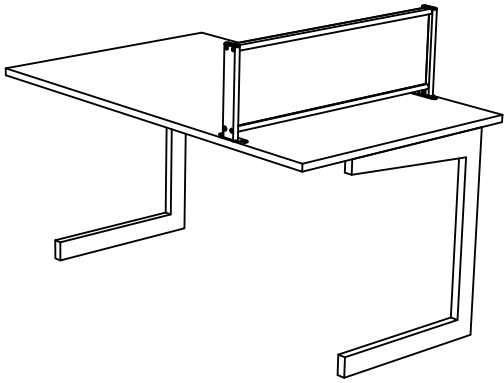


EGAN VISUAL INC.
300 Hanlan Road
Woodbridge, ON L4L 3P6

Tel: (905) 851-2826 Fax: (905) 851-3426
(800) 263-2316 Email: evc@egan.com

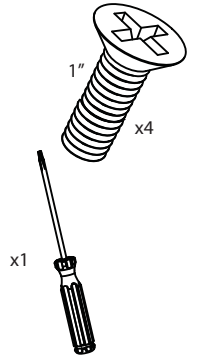
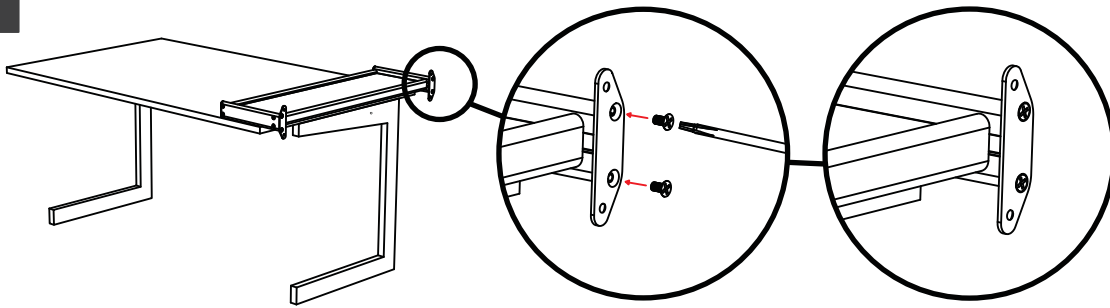


PRODUCT CODE: --	MATERIAL: --	DRAWN BY: YB	DATE DRAWN: 16/03/2012
RMC: --	FINISH: --	APPROVED BY: JW	DATE APPROVED: DD/MON/YY
NC CODE: --	DO NOT SCALE DRAWING	SCALE: NTS	UNITS: -- SHEET: 1 OF 1
GENERAL TOLERANCE: UNLESS SPECIFIED OTHERWISE		DRAWING NO: 024H103	

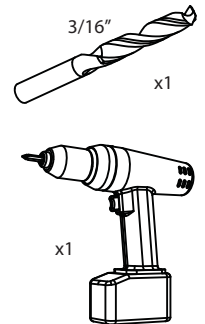
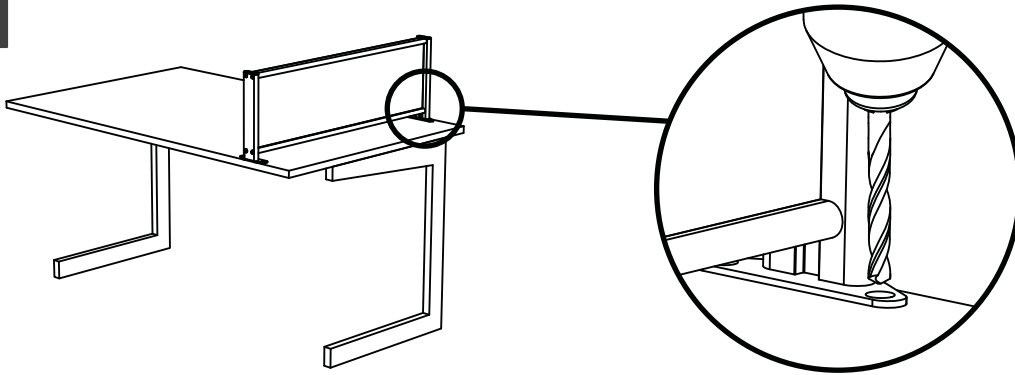


x1

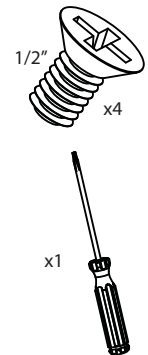
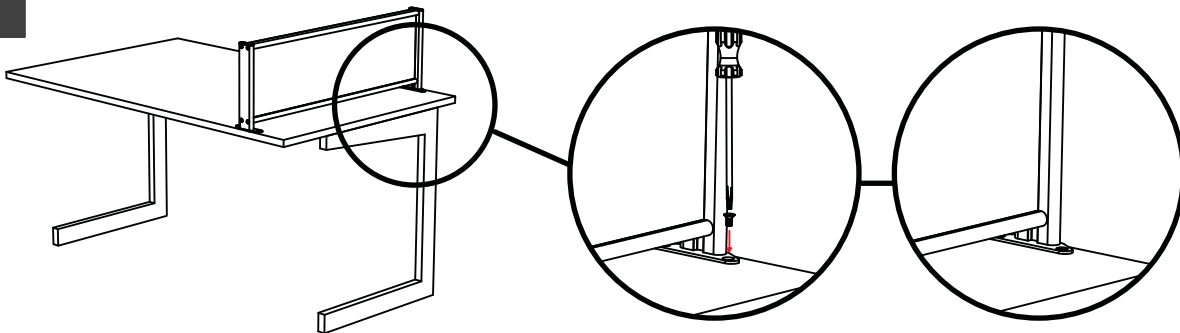
1



2



3



PROPRIETARY AND CONFIDENTIAL:
THE INFORMATION CONTAINED IN THIS DRAWING IS THE SOLE PROPERTY OF
EGAN VISUAL INC. ANY REPRODUCTION IN PART OR AS A WHOLE WITHOUT
THE WRITTEN PERMISSION OF EGAN VISUAL INC IS PROHIBITED.

TSM-SURFACEMOUNT W-0312 Rev1

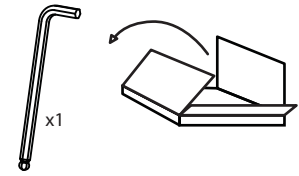
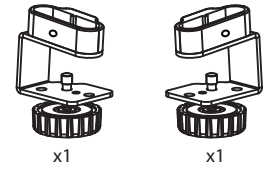
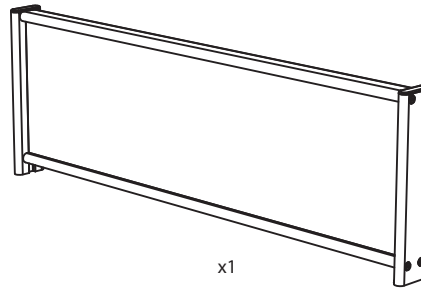
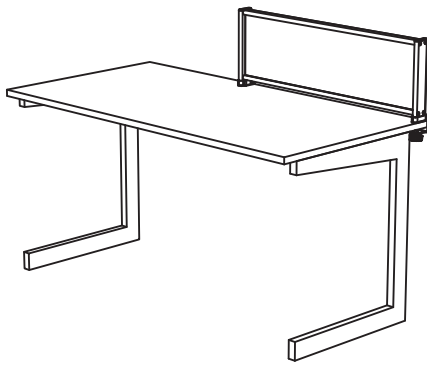


EGAN VISUAL INC.
300 Hanlan Road
Woodbridge, ON L4L 3P6

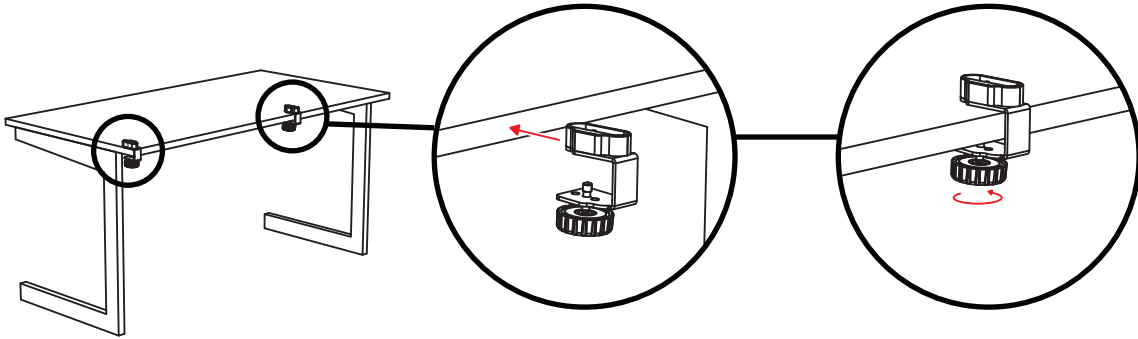
Tel: (905) 851-2826 Fax: (905) 851-3426
(800) 263-2316 Email: evc@egan.com



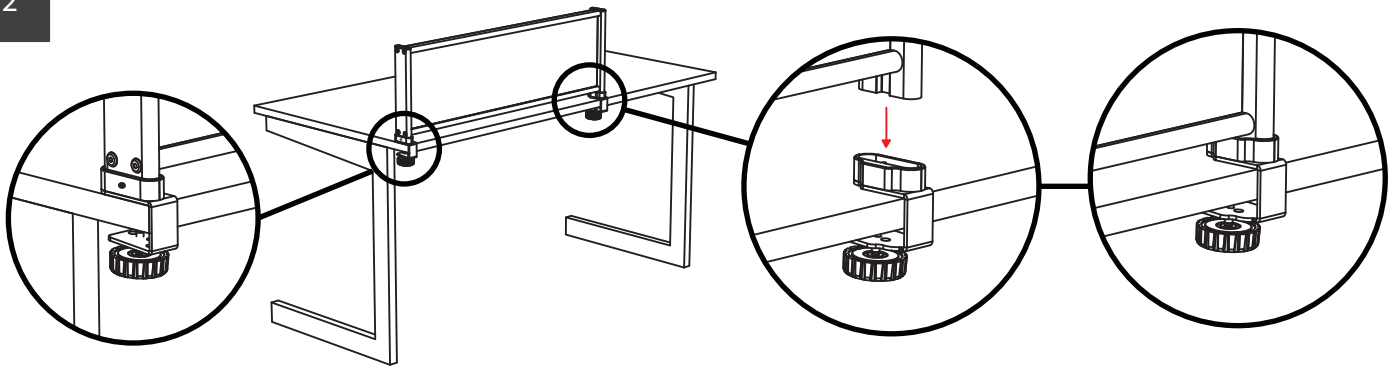
PRODUCT CODE: --	MATERIAL: --	DRAWN BY: YB	DATE DRAWN: 18/05/2012
RMC: --	FINISH: --	APPROVED BY: JW	DATE APPROVED: DD/MON/YY
NC CODE: --	DO NOT SCALE DRAWING	SCALE: NTS	UNITS: --
GENERAL TOLERANCE: UNLESS SPECIFIED OTHERWISE		DRAWING NO: TSM-SURFACEMOUNT	SHEET: 1 OF 1



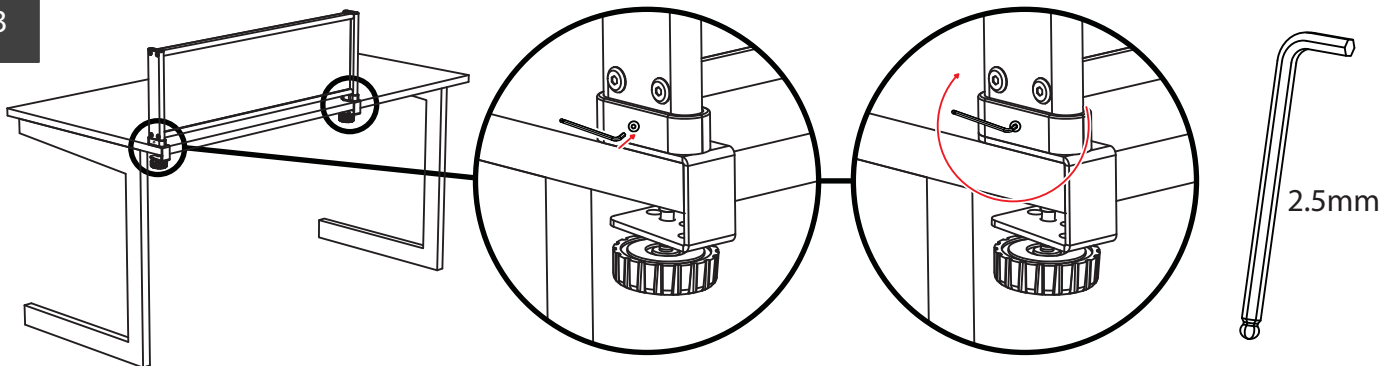
1



2



3



PROPRIETARY AND CONFIDENTIAL:
THE INFORMATION CONTAINED IN THIS DRAWING IS THE SOLE PROPERTY OF
EGAN VISUAL INC. ANY REPRODUCTION IN PART OR AS A WHOLE WITHOUT
THE WRITTEN PERMISSION OF EGAN VISUAL INC IS PROHIBITED.

TSM-EDGEMOUNT W-0312 Rev1

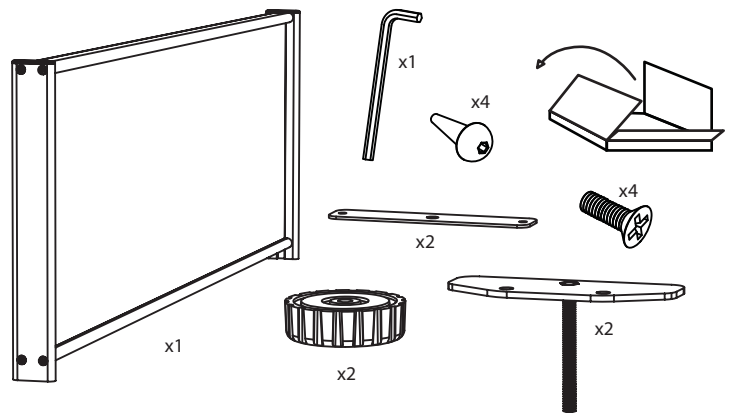
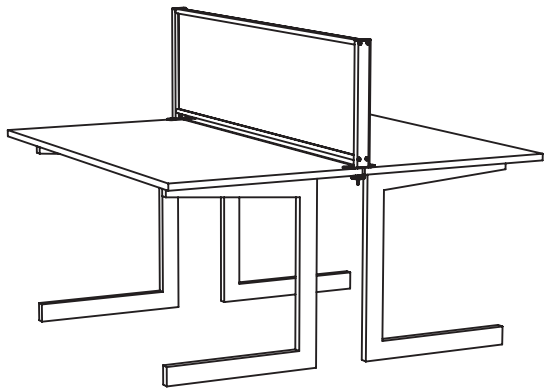


EGAN VISUAL INC.
300 Hanlan Road
Woodbridge, ON L4L 3P6

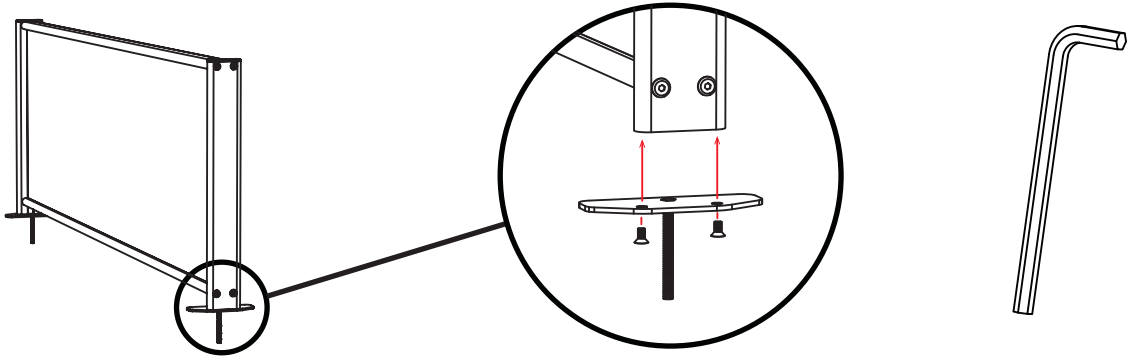
Tel: (905) 851-2826 Fax: (905) 851-3426
(800) 263-2316 Email: evc@egan.com



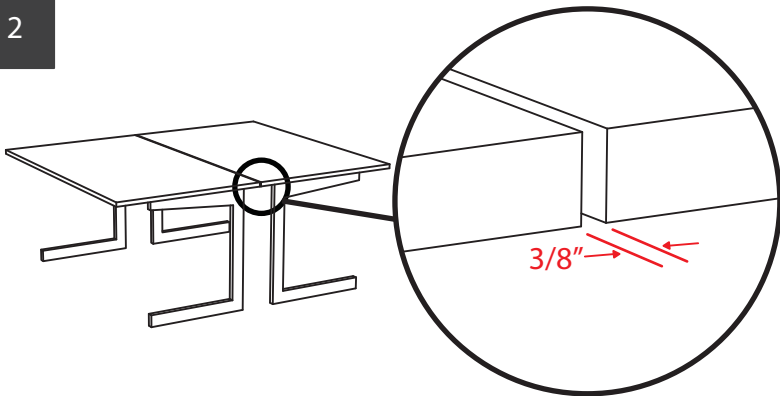
PRODUCT CODE: --	MATERIAL: --	DRAWN BY: YB	DATE DRAWN: 31 JULY 2012
RMC: --	FINISH: --	APPROVED BY: --	DATE APPROVED: DD/MON/YY
NC CODE: --	DO NOT SCALE DRAWING	SCALE: NTS	UNITS: --
GENERAL TOLERANCE: ± -- UNLESS SPECIFIED OTHERWISE		DRAWING NO: 024H117	SHEET: 1 OF 1



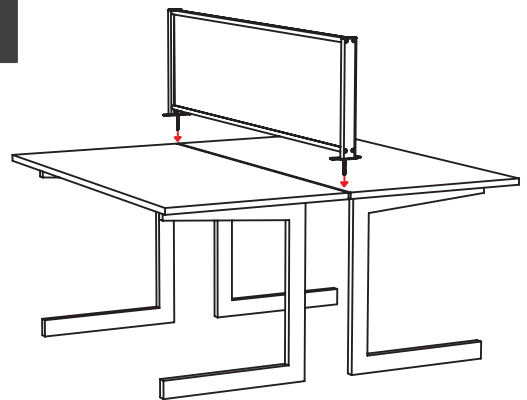
1



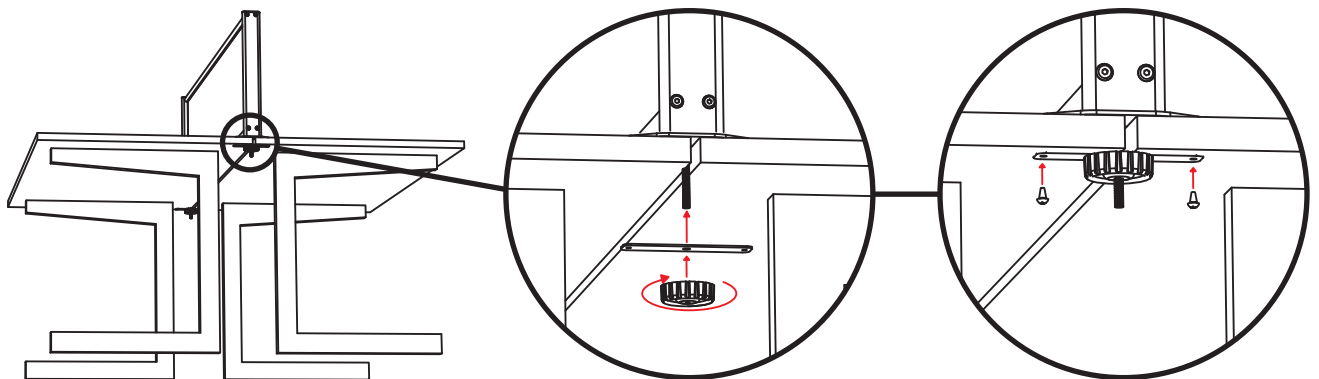
2



3



4



PROPRIETARY AND CONFIDENTIAL:
THE INFORMATION CONTAINED IN THIS DRAWING IS THE SOLE PROPERTY OF
EGAN VISUAL INC. ANY REPRODUCTION IN PART OR AS A WHOLE WITHOUT
THE WRITTEN PERMISSION OF EGAN VISUAL INC IS PROHIBITED.

M-Series Divider (Joiner Mount Option) Rev 1



EGAN VISUAL INC.
300 Hanlan Road
Woodbridge, ON L4L 3P6

Tel: (905) 851-2826 Fax: (905) 851-3426
(800) 263-2316 Email: evc@egan.com



PRODUCT CODE: --	MATERIAL: --	DRAWN BY: YB	DATE DRAWN: 28 JUNE 2013
RMC: --	FINISH: --	APPROVED BY: RJ	DATE APPROVED: 28 JUNE 2013
NC CODE: --	DO NOT SCALE DRAWING	SCALE: NTS	UNITS: --
GENERAL TOLERANCE: UNLESS SPECIFIED OTHERWISE		DRAWING NO: 024H135_R1	SHEET: 1 OF 1

024H135_R1 28/06/PDF © 2013 Egan Teamboard Inc. Printed in Canada. Specifications are subject to change without notice.