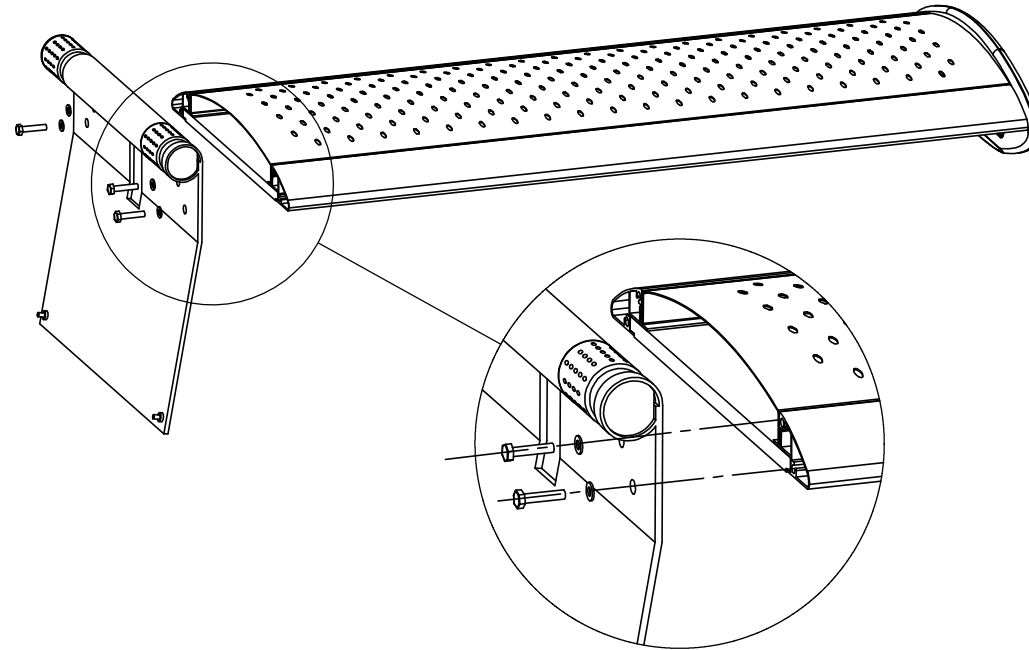
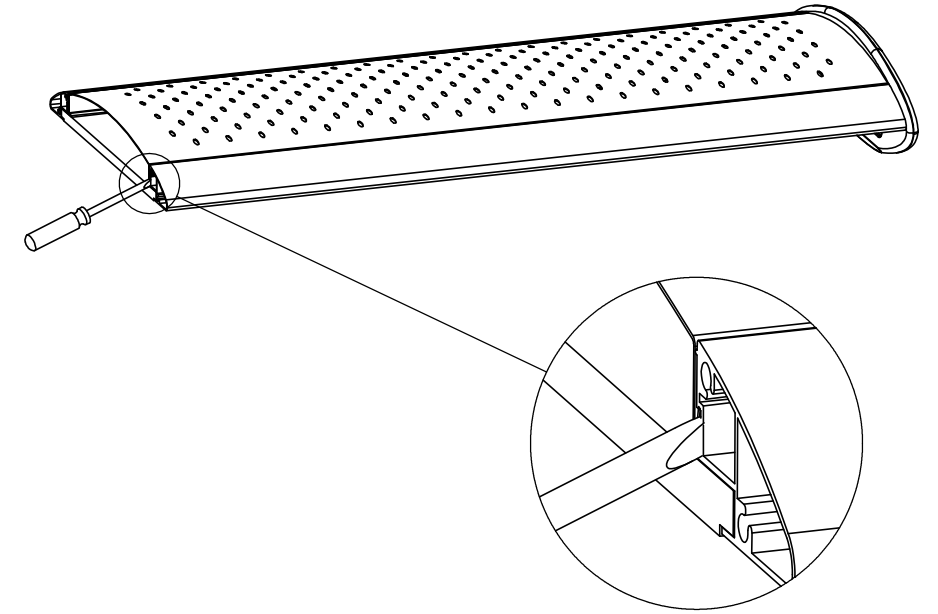


1



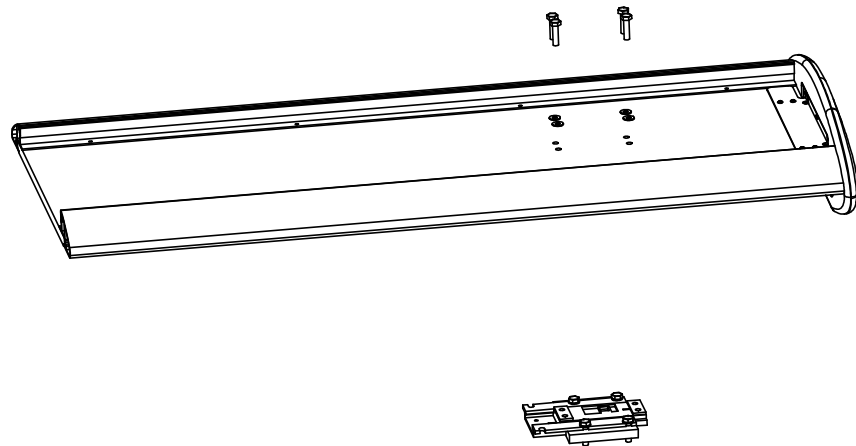
Lay lectern down on its side.  
Remove the 4 bolts that attach the base to the legs  
using 7/16" wrench.

2



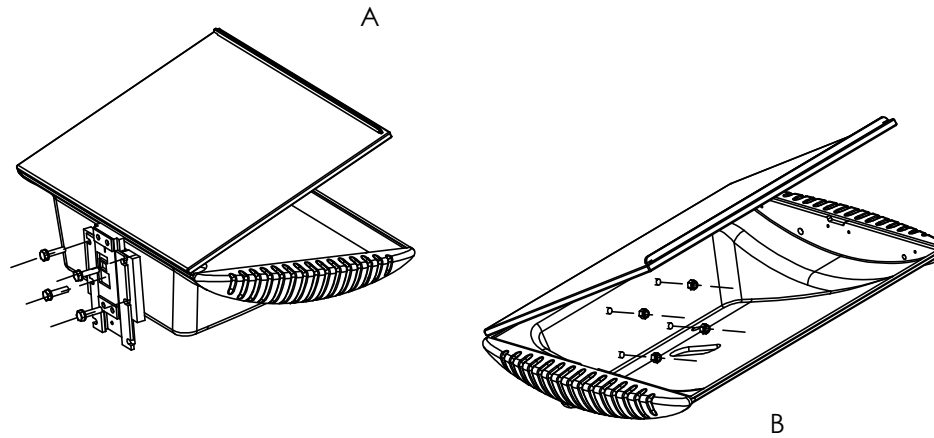
Remove front panel by using a screwdriver to pry it up.

3



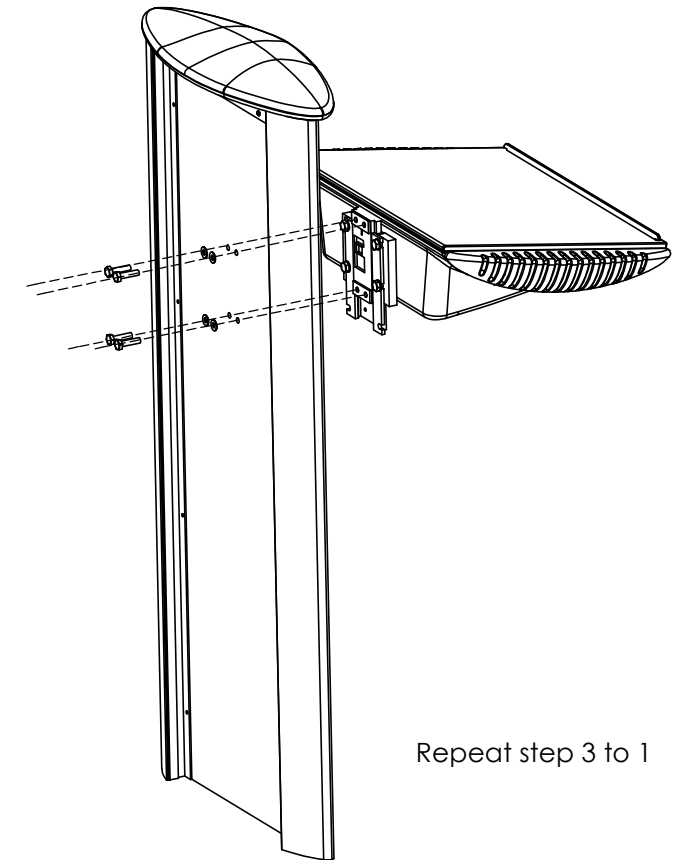
Remove the 4 bolts that connect ratchet.

4



Attach the ratchet following dia. A & B

5



Repeat step 3 to 1

Comments  
or  
Questions?

CALL US!

USA  
&  
CANADA : 1-800-263-2387