

**INCLUDED HARDWARE:**

**4** *Minifix bolt.* 

**4** *Minifix housings* 

**6** *Rafix bolt.* 

**WARRANTY**

Egan Visual Inc. warrants the construction and finish of this product for normal and reasonable use for the period of five (5) years from the date of invoice. This warranty does not apply to defects resulting from lack of normal maintenance, improper cleaning or negligence.

Comments  
— or —  
Questions?

**CALL US!**

CANADA: 1-800-263-2316  
USA EAST: 1-800-263-2387  
USA WEST: 1-800-826-1778

email: [installations@egan.com](mailto:installations@egan.com)  
[www.egan.com](http://www.egan.com)

Reference #024H001 12/99:10M

Egan  
Shelving Unit

**INSTALLATION**

36" Track Shelf - 1  
ESSH361



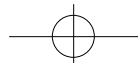
The Leader in Visual Systems  
...and more



The Leader in Visual Systems  
...and more



The Leader in Visual Systems  
...and more

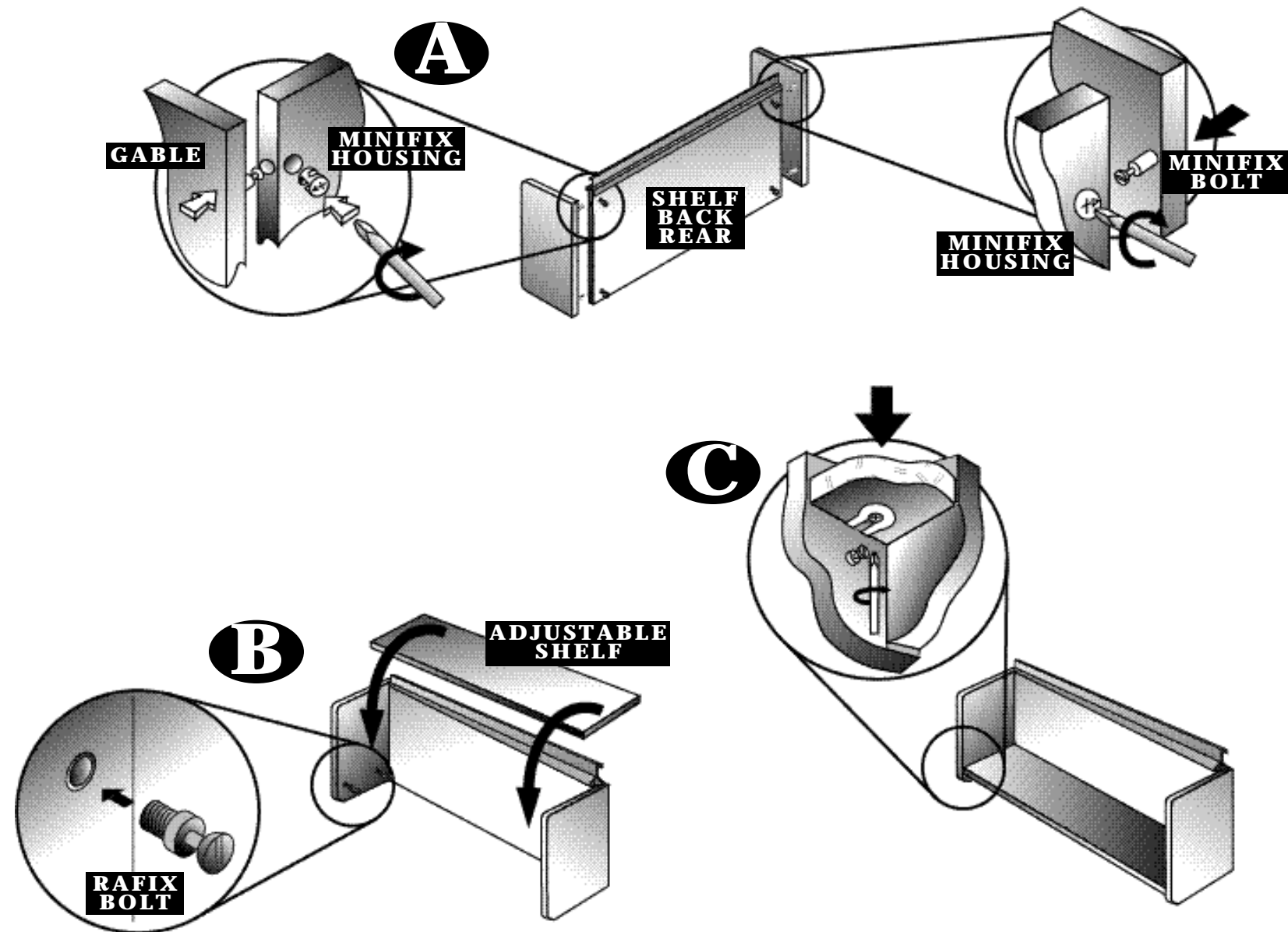


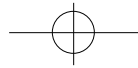
**TOOLS REQUIRED:**

# Philips Screwdriver

**ASSEMBLY**

1. Locate the two gables and insert Minifix bolts on the gable edge, then insert Minifix housings in the rear side. Now attach gables to back and lock as shown in picture **A**
2. Insert the Rafx screws at the bottom of the gables. Place adjustable shelf onto Rafx bolts as shown in **B**
3. Lock shelf in place as shown in **C**





**INCLUDED HARDWARE:**

**6** *Minifix bolt.* 

**6** *Minifix housings* 

**12** *Rafix bolt.* 

**WARRANTY**

Egan Visual Inc. warrants the construction and finish of this product for normal and reasonable use for the period of five (5) years from the date of invoice. This warranty does not apply to defects resulting from lack of normal maintenance, improper cleaning or negligence.

Comments  
— or —  
Questions?

**CALL US!**

CANADA: 1-800-263-2316  
USA EAST: 1-800-263-2387  
USA WEST: 1-800-826-1778

email: [installations@egan.com](mailto:installations@egan.com)  
[www.egan.com](http://www.egan.com)

Reference #024H002 12/99:10M

Egan  
Shelving Unit

**INSTALLATION**

36" Track Shelf - 2  
ESSH362



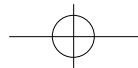
The Leader in Visual Systems  
...and more



The Leader in Visual Systems  
...and more



The Leader in Visual Systems  
...and more

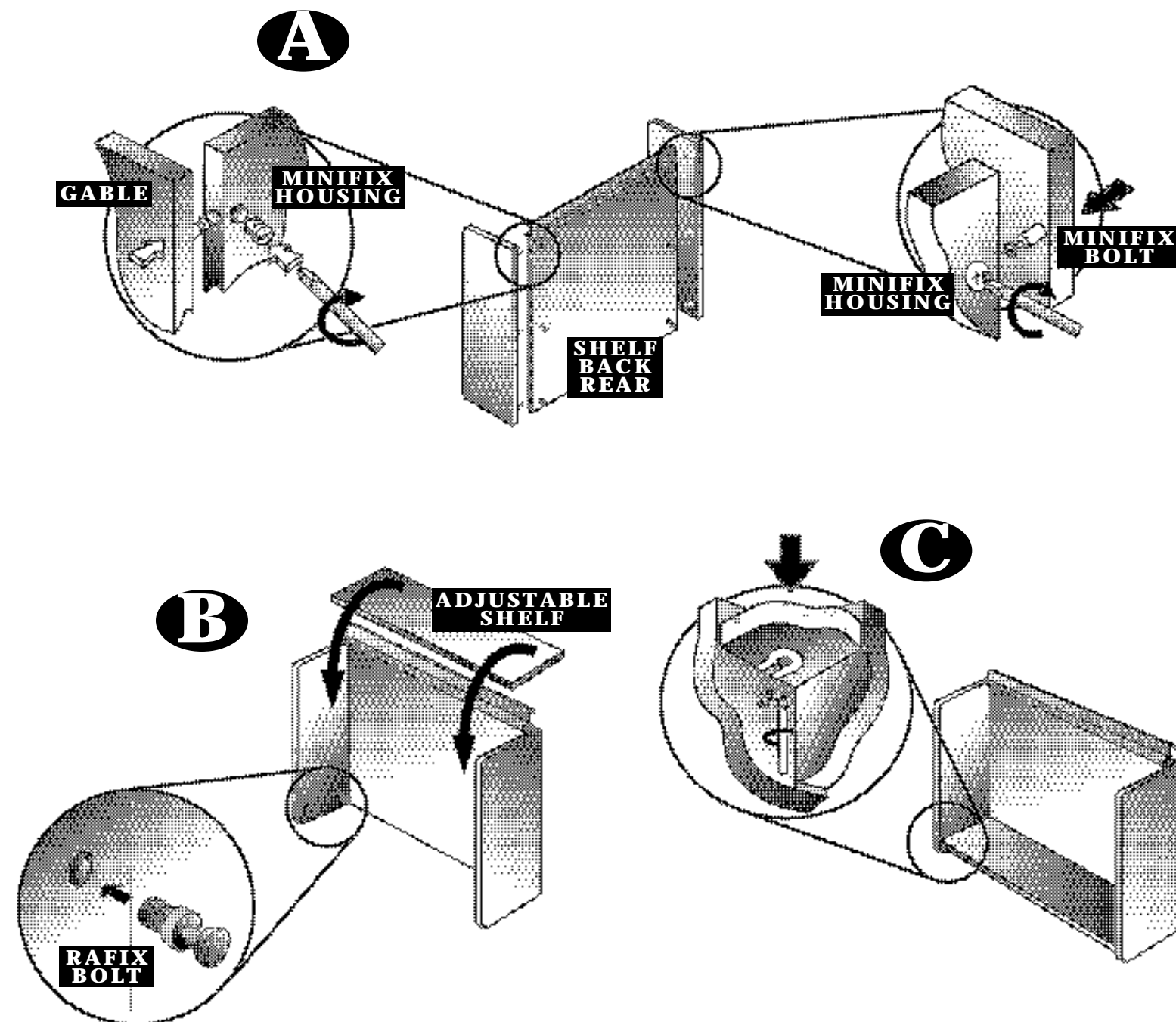


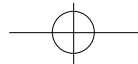
**TOOLS REQUIRED:**

# Philips Screwdriver

**ASSEMBLY**

1. Locate the two gables and insert Minifix bolts on the gable edge, then insert Minifix housings in the rear side. Now attach gables to back and lock as shown in picture **A**
2. Insert the Rafx screws at the bottom of the gables. Place adjustable shelf onto Rafx bolts as shown in **B**
3. Lock shelf in place as shown in **C**
4. Repeat steps 2 + 3 for the remaining shelf.





**INCLUDED HARDWARE:**

**8** *Minifix bolt.* 

**8** *Minifix housings* 

**18** *Rafix bolt.* 

**WARRANTY**

Egan Visual Inc. warrants the construction and finish of this product for normal and reasonable use for the period of five (5) years from the date of invoice. This warranty does not apply to defects resulting from lack of normal maintenance, improper cleaning or negligence.

Comments  
— or —  
Questions?

**CALL US!**

CANADA: 1-800-263-2316  
USA EAST: 1-800-263-2387  
USA WEST: 1-800-826-1778

email: [installations@egan.com](mailto:installations@egan.com)  
[www.egan.com](http://www.egan.com)

Reference #024H003 12/99:10M

Egan  
Shelving Unit

**INSTALLATION**

36" Track Shelf - 3  
ESSH363



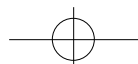
The Leader in Visual Systems  
...and more



The Leader in Visual Systems  
...and more



The Leader in Visual Systems  
...and more

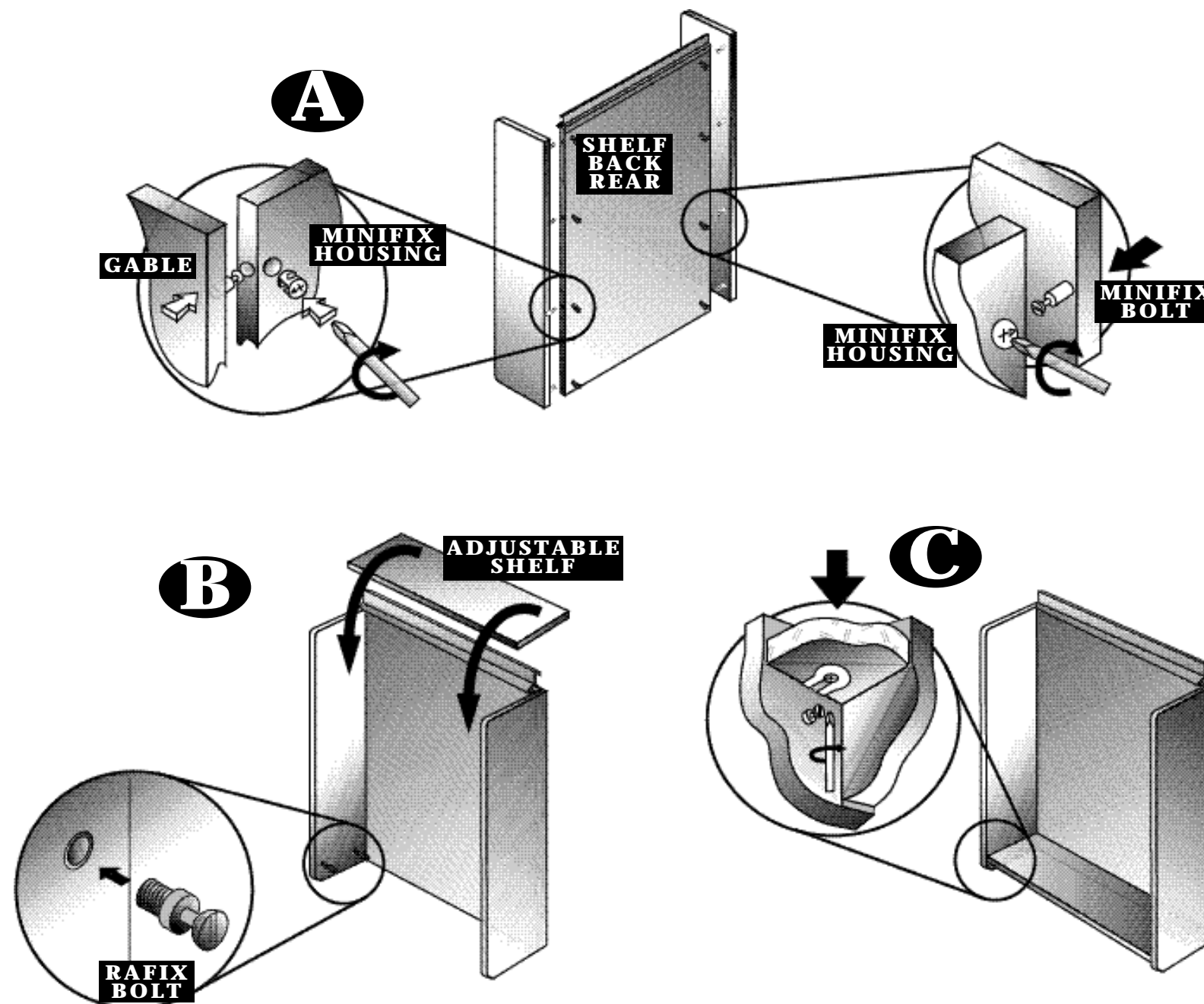


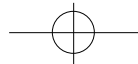
**TOOLS REQUIRED:**

# Philips Screwdriver

**ASSEMBLY**

1. Locate the two gables and insert Minifix bolts on the gable edge, then insert Minifix housings in the rear side. Now attach gables to back and lock as shown in picture **A**
2. Insert the Rafx screws at the bottom of the gables. Place adjustable shelf onto Rafx bolts as shown in **B**
3. Lock shelf in place as shown in **C**
4. Repeat step 2 + 3 for the remaining shelves.





**INCLUDED HARDWARE:**

**4** *Minifix bolt.* 

**4** *Minifix housing* 

**6** *Rafix bolt.* 

**WARRANTY**

Egan Visual Inc. warrants the construction and finish of this product for normal and reasonable use for the period of five (5) years from the date of invoice. This warranty does not apply to defects resulting from lack of normal maintenance, improper cleaning or negligence.

Comments  
— or —  
Questions?

**CALL US!**

CANADA: 1-800-263-2316  
USA EAST: 1-800-263-2387  
USA WEST: 1-800-826-1778

email: [installations@egan.com](mailto:installations@egan.com)  
[www.egan.com](http://www.egan.com)

Reference #024H004 12/99:10M

Egan  
Shelving Unit

**INSTALLATION**

42" Track Shelf - 1  
ESSH421



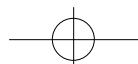
The Leader in Visual Systems  
...and more



The Leader in Visual Systems  
...and more



The Leader in Visual Systems  
...and more

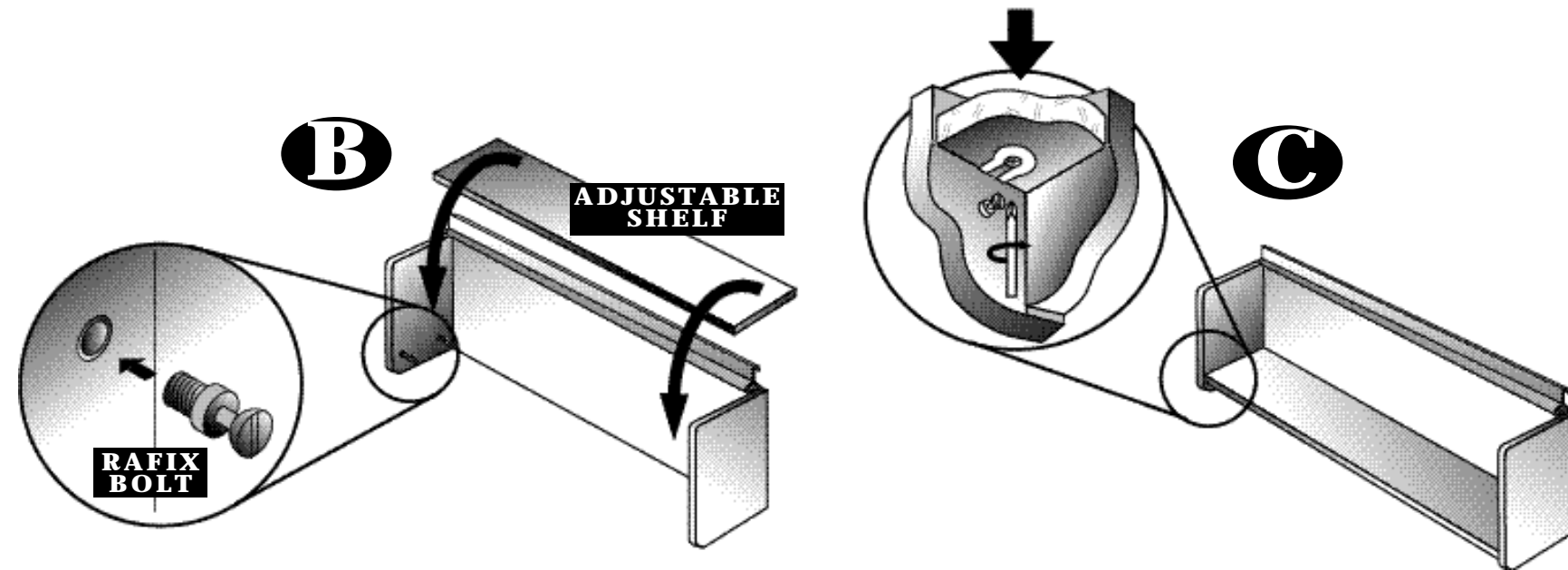
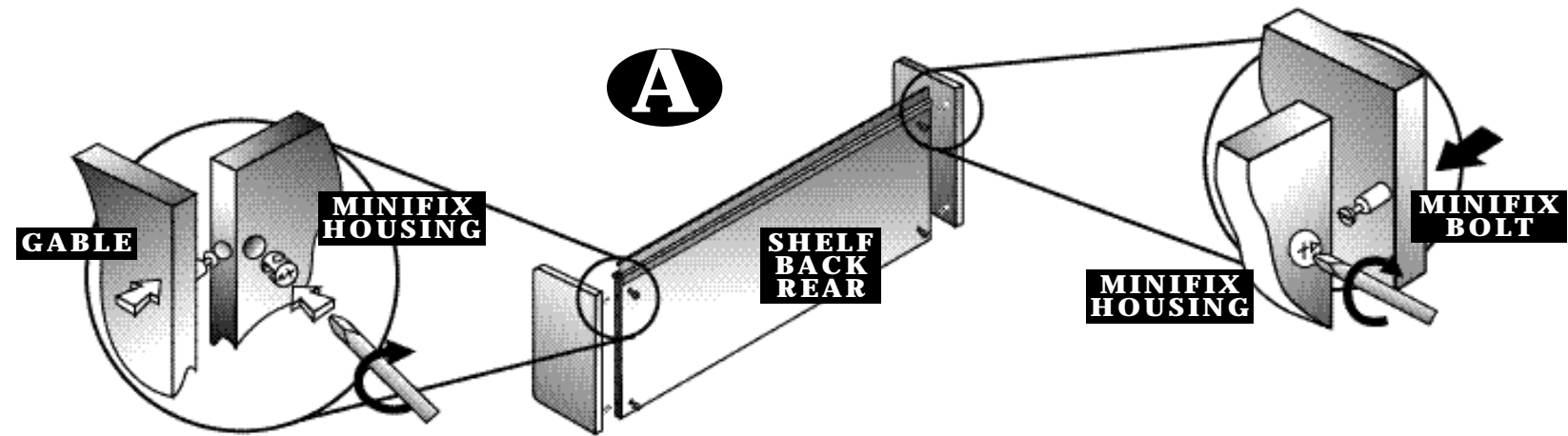


**TOOLS REQUIRED:**

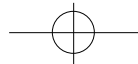
# Philips Screwdriver

**ASSEMBLY**

1. Locate the two gables and insert Minifix bolts on the gable edge, then insert Minifix housings in the rear side. Now attach gables to back and lock as shown in picture **A**
2. Insert the Rafx screws at the bottom of the gables. Place adjustable shelf onto Rafx bolts as shown in **B**
3. Lock shelf in place as shown in **C**







**INCLUDED HARDWARE:**

**6** *Minifix bolt.* 

**6** *Minifix housing* 

**12** *Rafix bolt.* 

**WARRANTY**

Egan Visual Inc. warrants the construction and finish of this product for normal and reasonable use for the period of five (5) years from the date of invoice. This warranty does not apply to defects resulting from lack of normal maintenance, improper cleaning or negligence.

Comments  
— or —  
Questions?

**CALL US!**

CANADA: 1-800-263-2316  
USA EAST: 1-800-263-2387  
USA WEST: 1-800-826-1778

email: [installations@egan.com](mailto:installations@egan.com)  
[www.egan.com](http://www.egan.com)

Reference #024H005 12/99:10M

Egan  
Shelving Unit

**INSTALLATION**

42" Track Shelf - 2  
ESSH422



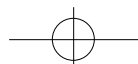
The Leader in Visual Systems  
...and more



The Leader in Visual Systems  
...and more



The Leader in Visual Systems  
...and more

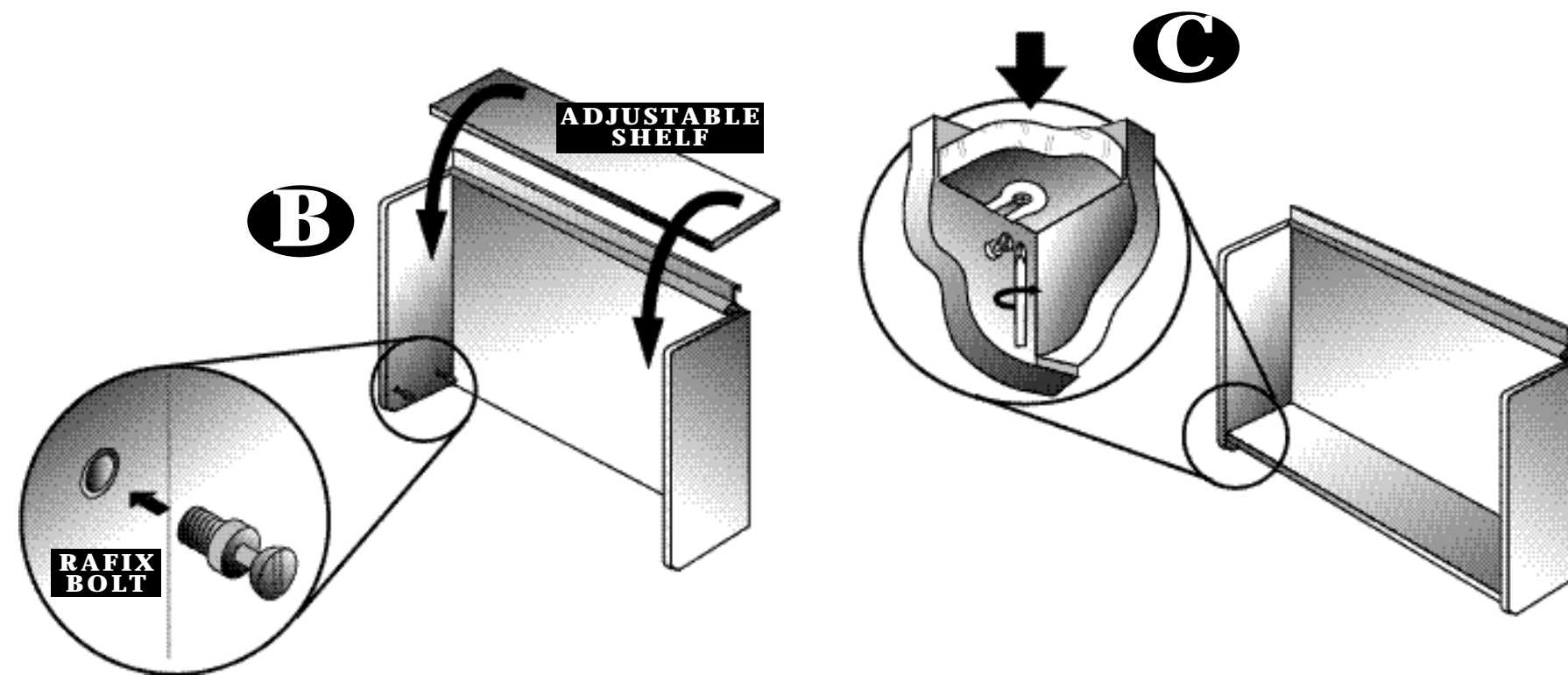
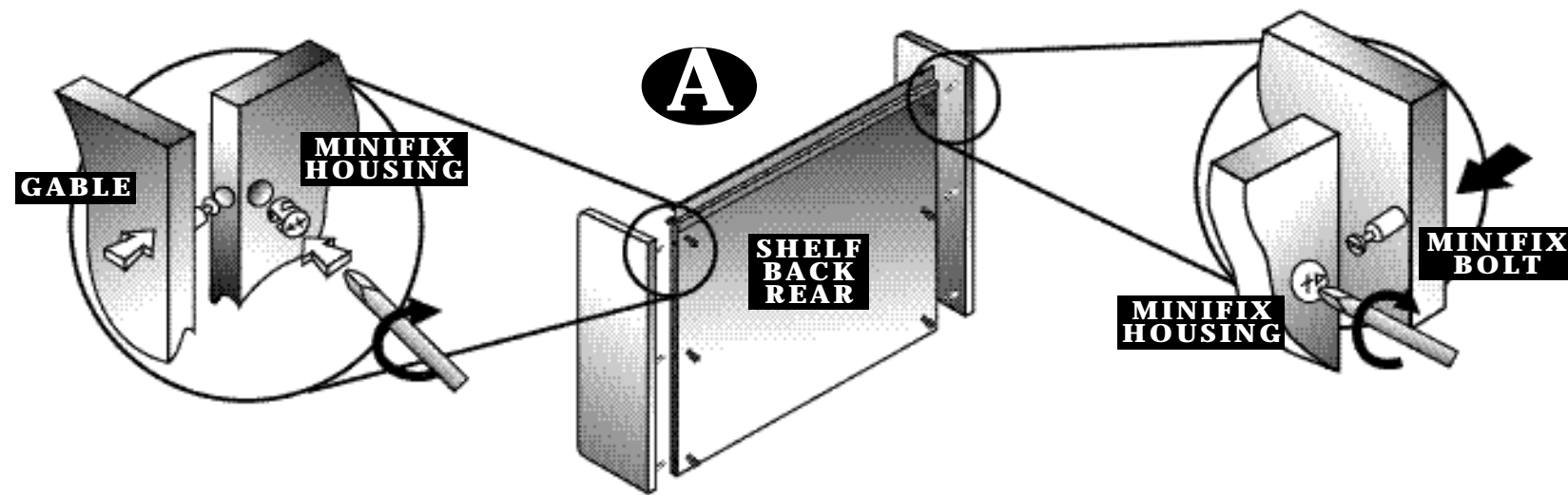


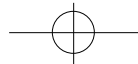
**TOOLS REQUIRED:**

# Philips Screwdriver

**ASSEMBLY**

1. Locate the two gables and insert Minifix bolts on the gable edge, then insert Minifix housings in the rear side. Now attach gables to back and lock as shown in picture **A**
2. Insert the Rafx screws at the bottom of the gables. Place adjustable shelf onto Rafx bolts as shown in **B**
3. Lock shelf in place as shown in **C**
4. Repeat steps 2 + 3 for the remaining shelf.






**INCLUDED HARDWARE:**

**8** *Minifix bolt.* 

**8** *Minifix housings* 

**18** *Rafix bolt.* 

Comments  
— or —  
Questions?

**CALL US!**

CANADA: 1-800-263-2316  
USA EAST: 1-800-263-2387  
USA WEST: 1-800-826-1778

email: [installations@egan.com](mailto:installations@egan.com)  
[www.egan.com](http://www.egan.com)

Reference #024H006 12/99:10M

Egan  
Shelving Unit

**INSTALLATION**

42" Track Shelf - 3  
ESSH423

**WARRANTY**

Egan Visual Inc. warrants the construction and finish of this product for normal and reasonable use for the period of five (5) years from the date of invoice. This warranty does not apply to defects resulting from lack of normal maintenance, improper cleaning or negligence.



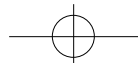
The Leader in Visual Systems  
...and more



The Leader in Visual Systems  
...and more



The Leader in Visual Systems  
...and more

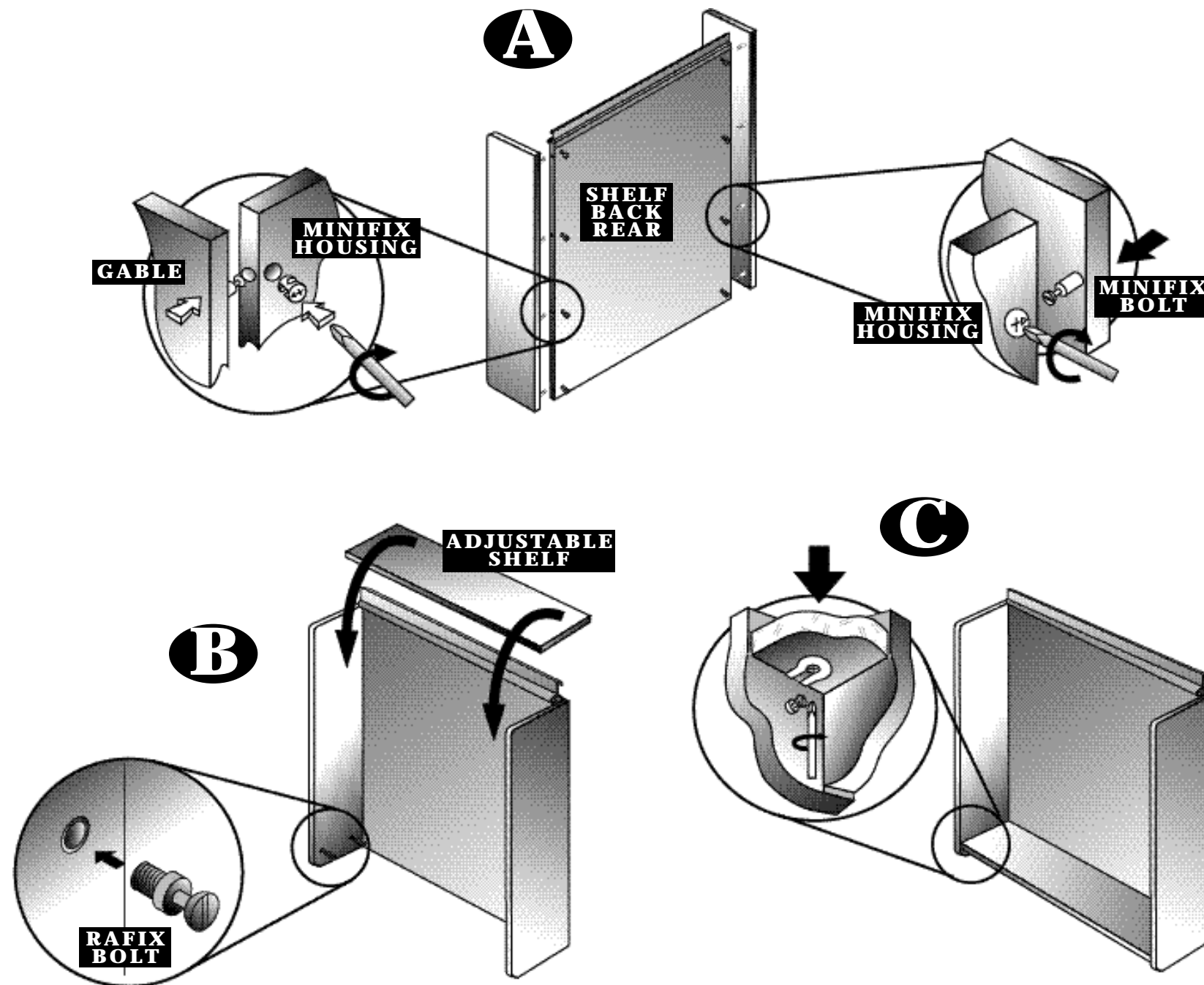


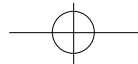
**TOOLS REQUIRED:**

# Philips Screwdriver

**ASSEMBLY**

1. Locate the two gables and insert Minifix bolts on the gable edge, then insert Minifix housings in the rear side. Now attach gables to back and lock as shown in picture **A**
2. Insert the Rafx screws at the bottom of the gables. Place adjustable shelf onto Rafx bolts as shown in **B**
3. Lock shelf in place as shown in **C**
4. Repeat step 2 + 3 for the remaining shelves.





**INCLUDED HARDWARE:**

**6** *Minifix bolt.* 

**6** *Minifix housing* 

**10** *Rafix bolt.* 

**WARRANTY**

Egan Visual Inc. warrants the construction and finish of this product for normal and reasonable use for the period of five (5) years from the date of invoice. This warranty does not apply to defects resulting from lack of normal maintenance, improper cleaning or negligence.

Comments  
— or —  
Questions?

**CALL US!**

CANADA: 1-800-263-2316  
USA EAST: 1-800-263-2387  
USA WEST: 1-800-826-1778

email: [installations@egan.com](mailto:installations@egan.com)  
[www.egan.com](http://www.egan.com)

Reference #024H007 12/99:10M

Egan  
Shelving Unit

**INSTALLATION**

48" Track Shelf - 1  
ESSH481



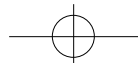
The Leader in Visual Systems  
...and more

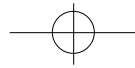


The Leader in Visual Systems  
...and more



The Leader in Visual Systems  
...and more



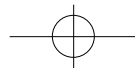
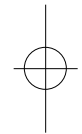
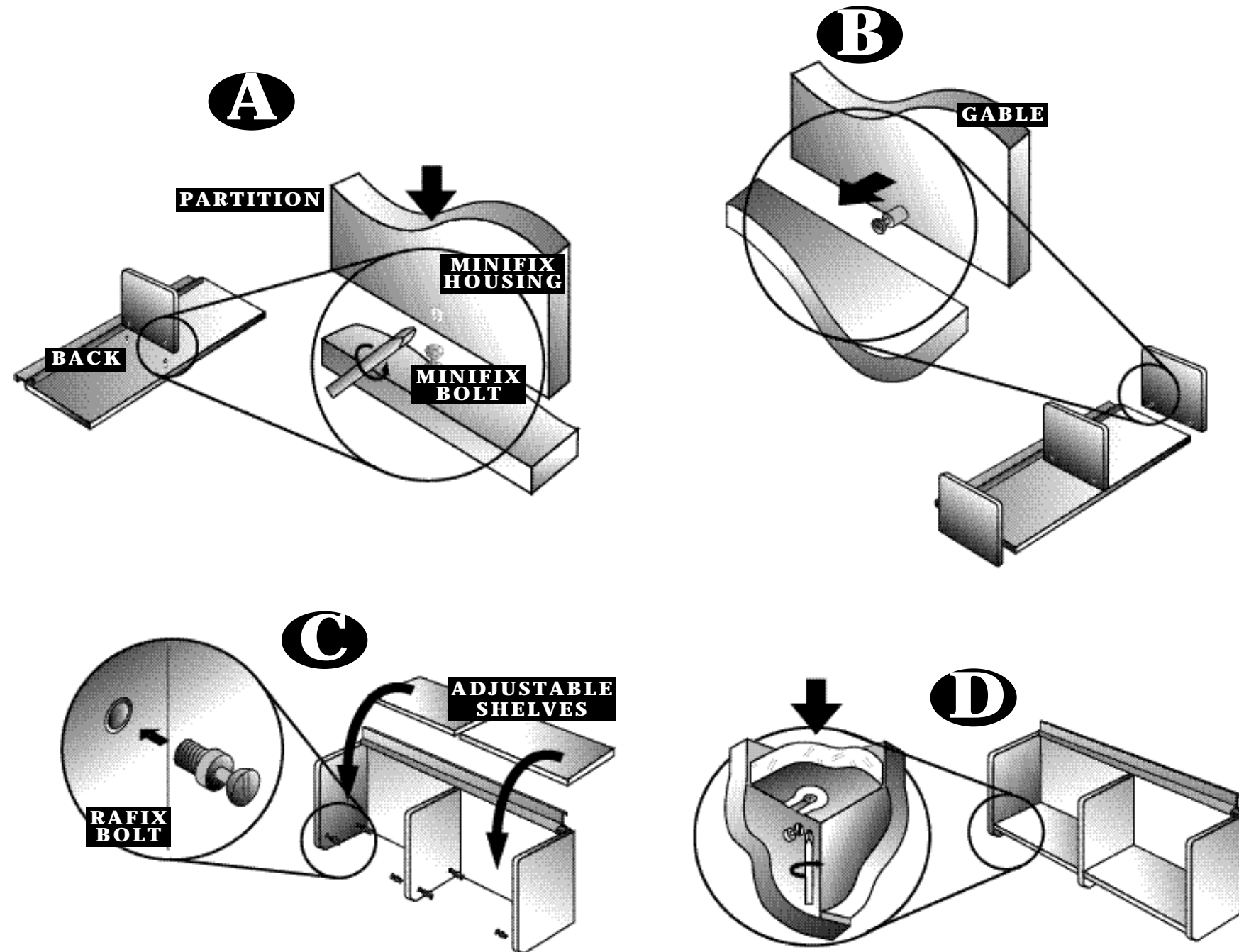


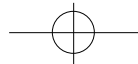
**TOOLS REQUIRED:**

# Philips Screwdriver

**ASSEMBLY**

1. Locate the partition and the back. Insert Minifix bolts in the back and Minifix housings in partition and assemble as shown in picture **A**
2. Insert Minifix bolts into the gables and attach to the back as shown in picture **B**
3. Insert Rafix bolts into the gables and partition, then place adjustable shelves onto bolts as shown in picture **C**
4. Lock shelves in place as shown in **D**





**INCLUDED HARDWARE:**

**9** *Minifix bolt.* 

**9** *Minifix housing* 

**20** *Rafix bolt.* 

Comments  
— or —  
Questions?

**CALL US!**

CANADA: 1-800-263-2316  
USA EAST: 1-800-263-2387  
USA WEST: 1-800-826-1778

email: [installations@egan.com](mailto:installations@egan.com)  
[www.egan.com](http://www.egan.com)

Reference #024H008 12/99:10M

Egan  
Shelving Unit

**INSTALLATION**

48" Track Shelf - 2  
ESSH482

**WARRANTY**

Egan Visual Inc. warrants the construction and finish of this product for normal and reasonable use for the period of five (5) years from the date of invoice. This warranty does not apply to defects resulting from lack of normal maintenance, improper cleaning or negligence.



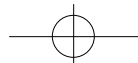
The Leader in Visual Systems  
...and more



The Leader in Visual Systems  
...and more



The Leader in Visual Systems  
...and more

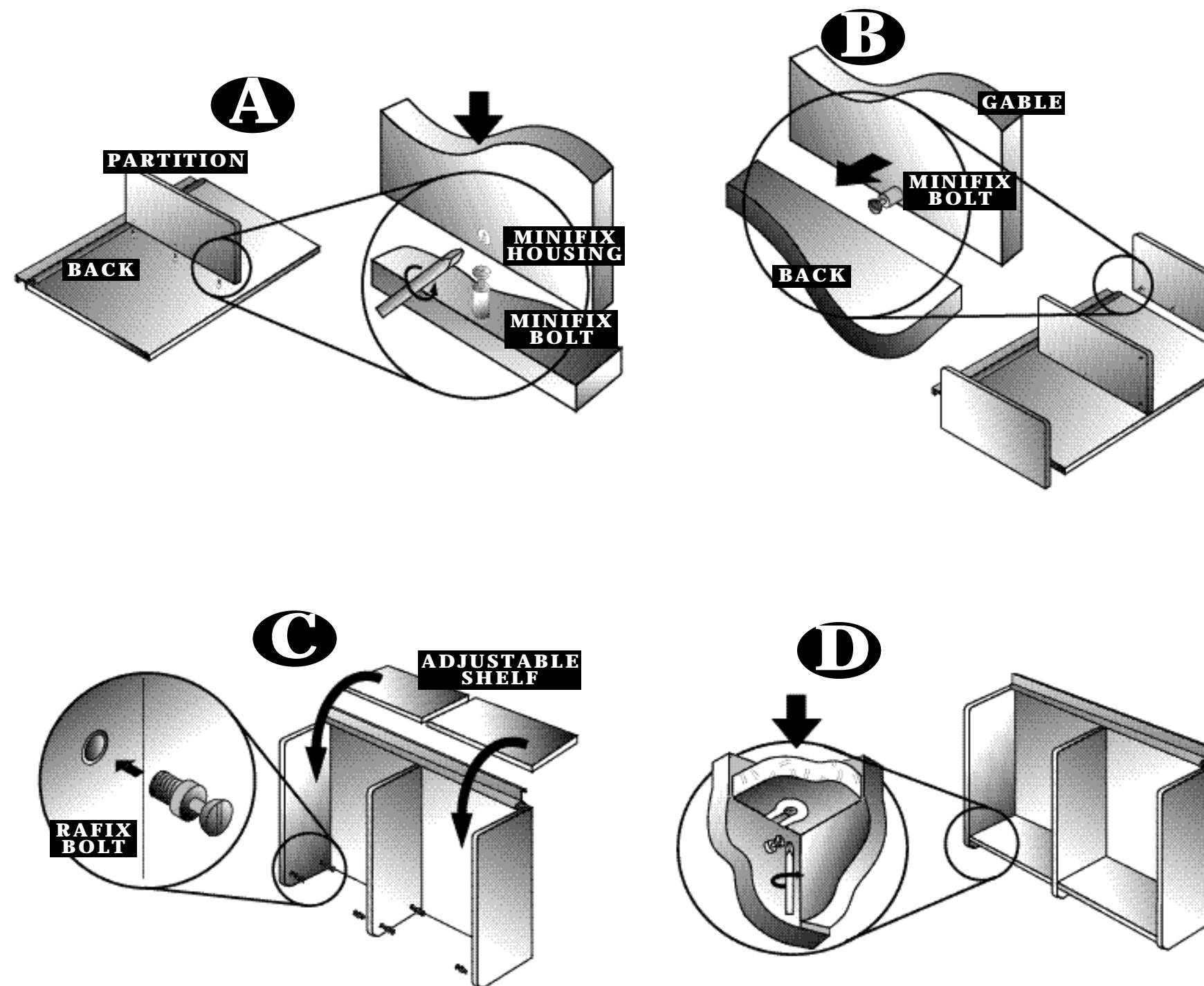


**TOOLS REQUIRED:**

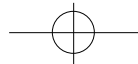
# Philips Screwdriver

**ASSEMBLY**

1. Locate the partition and the back. Insert Minifix bolts in the back and Minifix housings in partition and assemble as shown in picture **A**
2. Insert Minifix bolts into the gables and attach to the back as shown in picture **B**
3. Insert Rafix bolts into the gables and partition, then place adjustable shelves onto bolts as shown in picture **C**
4. Lock shelves in place shown in **D**
5. Complete the assembly by installing remaining shelves following steps 3+4.







**INCLUDED HARDWARE:**

**12** *Minifix bolt.* 

**12** *Minifix housing* 

**30** *Rafix bolt.* 

**WARRANTY**

Egan Visual Inc. warrants the construction and finish of this product for normal and reasonable use for the period of five (5) years from the date of invoice. This warranty does not apply to defects resulting from lack of normal maintenance, improper cleaning or negligence.

Comments  
— or —  
Questions?

**CALL US!**

CANADA: 1-800-263-2316  
USA EAST: 1-800-263-2387  
USA WEST: 1-800-826-1778

email: [installations@egan.com](mailto:installations@egan.com)  
[www.egan.com](http://www.egan.com)

Reference #024H009 12/99:10M

Egan  
Shelving Unit

**INSTALLATION**

48" Track Shelf - 3  
ESSH483



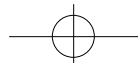
The Leader in Visual Systems  
...and more



The Leader in Visual Systems  
...and more



The Leader in Visual Systems  
...and more



**TOOLS REQUIRED:**

# Philips Screwdriver

**ASSEMBLY**

1. Locate the partition and the back. Insert Minifix bolts in the back and Minifix housings in partition and assemble as shown in picture **A**
2. Insert Minifix bolts into the gables and attach to the back as shown in picture **B**
3. Insert Rafix bolts into the gables and partition, then place adjustable shelves onto bolts as shown in picture **C**
4. Lock shelves in place as shown in **D**
5. Complete the assembly by installing remaining shelves following steps 3+4.

