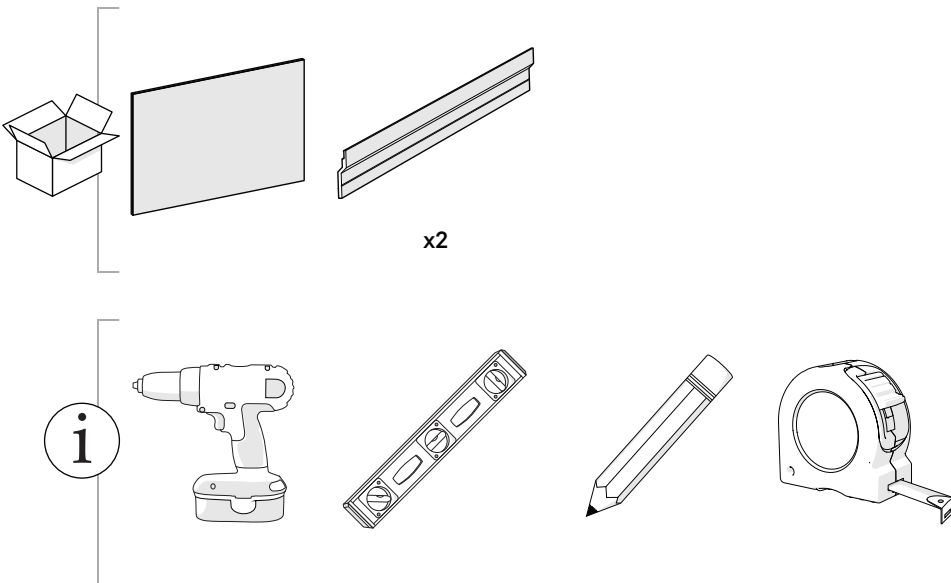
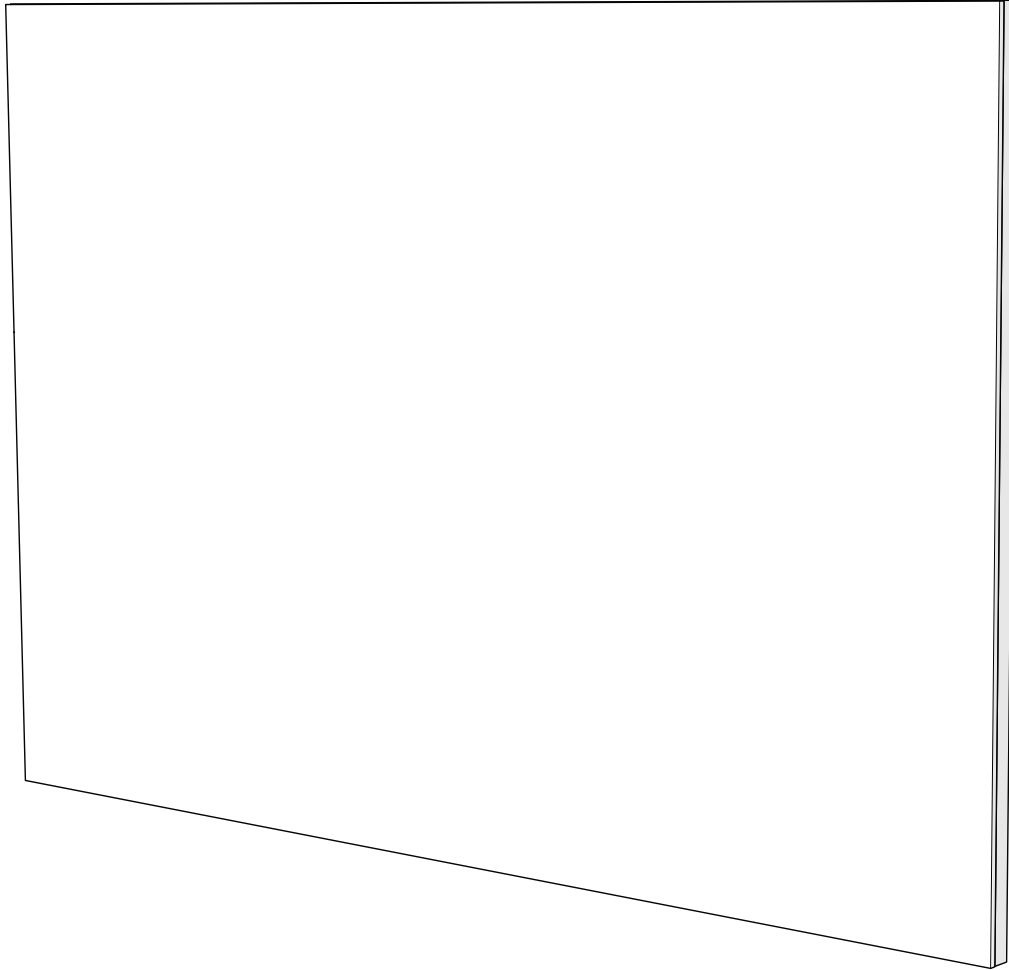


Assembly & Installation

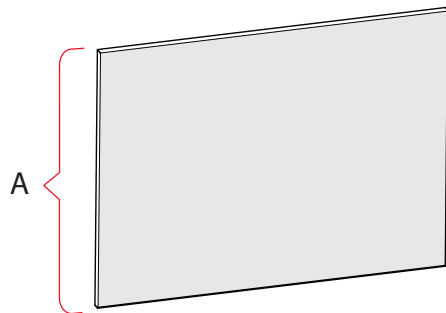
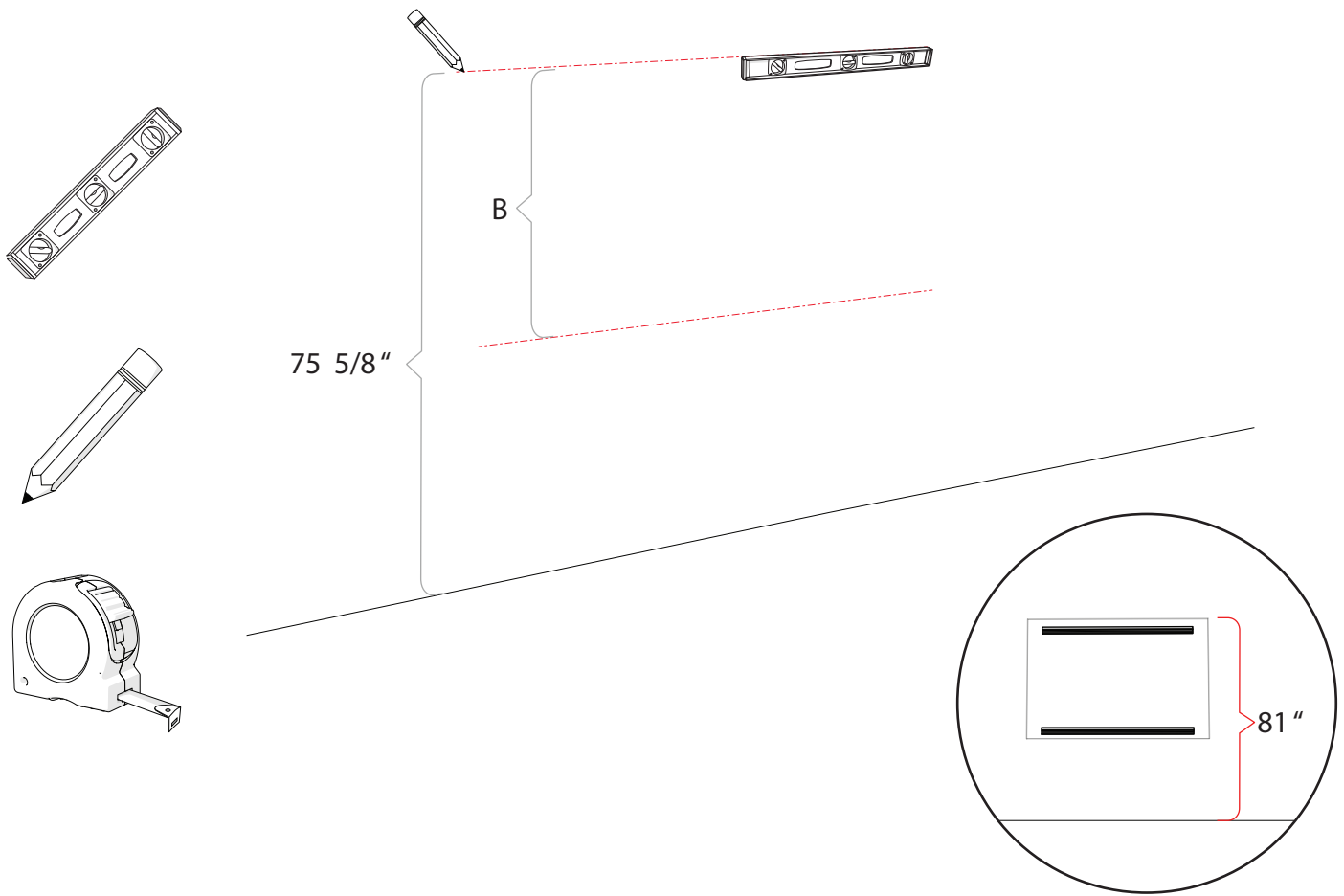
Tackable Wings



DT



Assembly & Installation



$$(B) = (A) - 13 \frac{7}{16}''$$

Assembly & Installation

