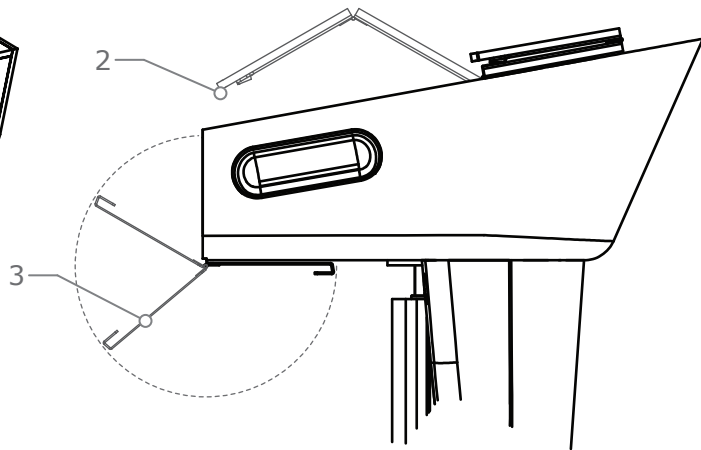
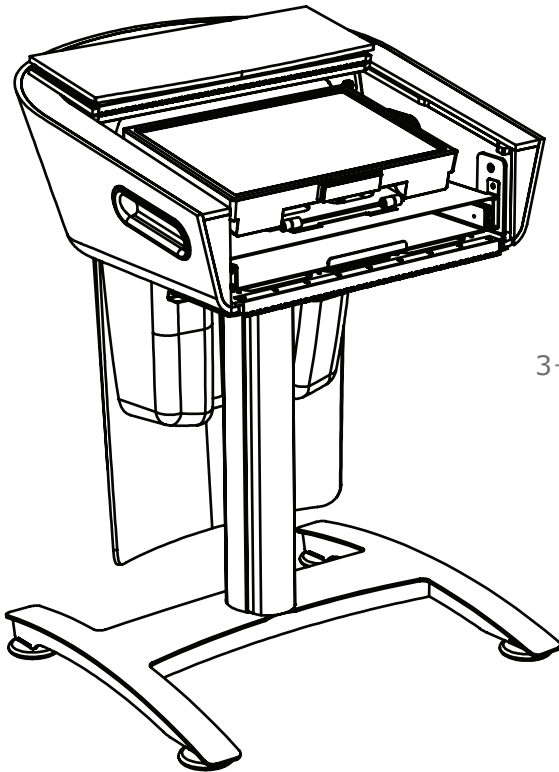
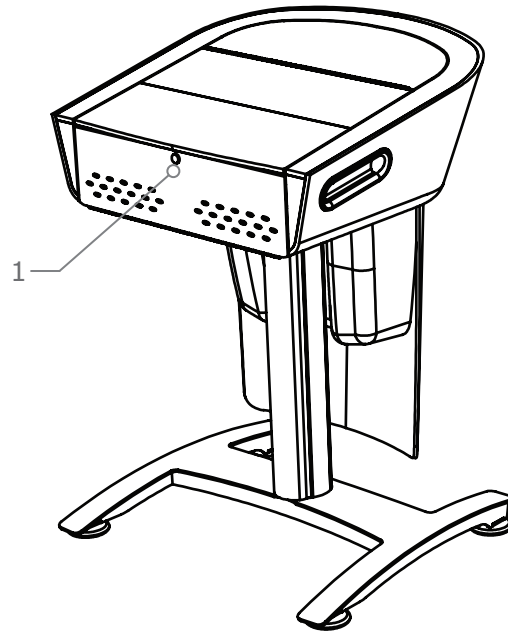


THE TecTern WILL ARRIVE IN ITS LOWERED AND LOCKED POSITION. INCLUDED IN THE BAG, ATTACHED TO THE TOP, ARE A CD WITH DRIVERS FOR THE TOUCH DISPLAY MONITOR AND KEYS TO ACCESS THE UNIT.

TO OPEN THE **TecTern**:

1. Unlock the front door using the included keys.
2. Open the top door by lifting it from the front edge, then folding it back to rest on the top surface.
3. Pull the front door from its closed position and rotate it under the bottom of the TecTern . It will be held in place magnetically.



TO LOCK THE **TecTern** FOLLOW THE ABOVE STEPS IN REVERSE ORDER.

024H090 17/06/PDF © 2011 Egan Teambord Inc. Printed in Canada. Specifications are subject to change without notice.

PROPRIETARY AND CONFIDENTIAL:
THE INFORMATION CONTAINED IN THIS DRAWING IS THE SOLE PROPERTY OF EGAN VISUAL INC. ANY REPRODUCTION IN PART OR AS A WHOLE WITHOUT THE WRITTEN PERMISSION OF EGAN VISUAL INC IS PROHIBITED.



EGAN VISUAL INC.
300 Hanlan Road
Woodbridge, ON L4L 3P6

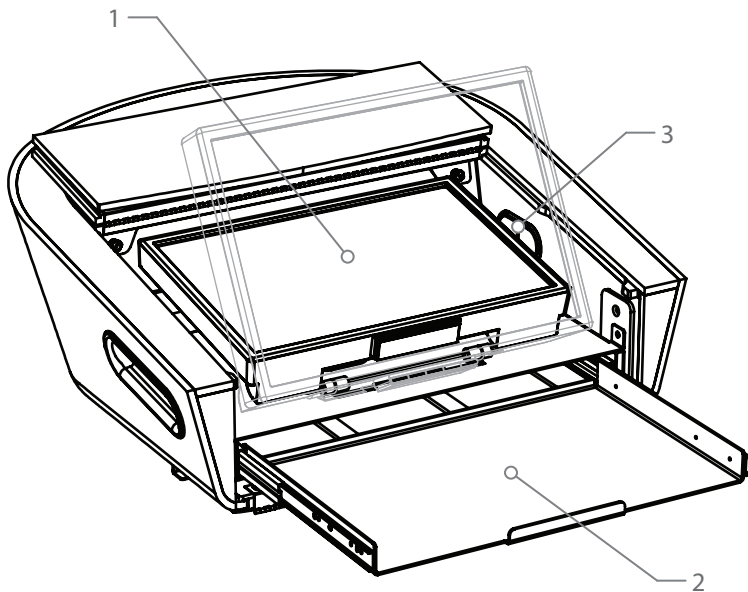
Tel: (905) 851-2826 Fax: (905) 851-3426
(800) 263-2316 Email: evc@egan.com



EGAN TecTern

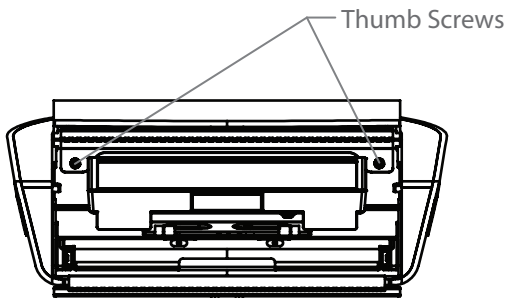
PRODUCT CODE: TMTM	MATERIAL: --	DRAWN BY: G.H	DATE DRAWN: 17/06/2011
RMC: --	FINISH: --	APPROVED BY: J.W	DATE APPROVED: 17/06/2011
NC CODE: --	DO NOT SCALE DRAWING	SCALE: NTS	UNITS: INCHES
GENERAL TOLERANCE: ± 0.010 UNLESS SPECIFIED OTHERWISE	DRAWING NO:	SHEET: 1 OF 3	





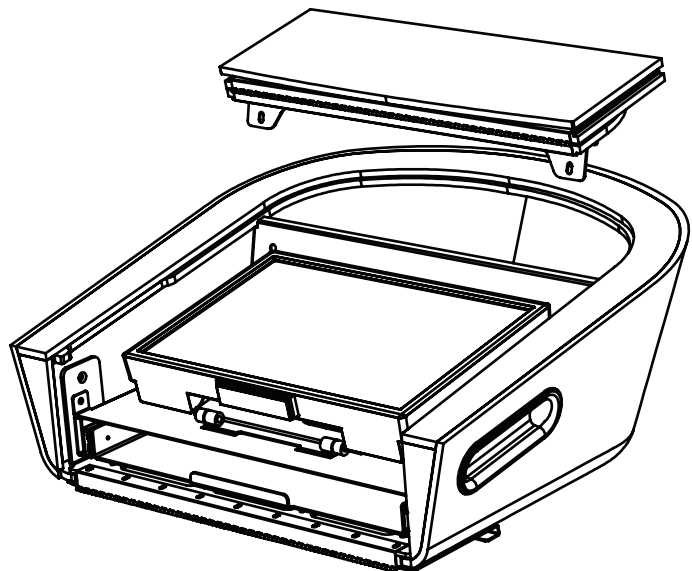
INSIDE THE **TecTern** ARE:

1. Touch Screen Display - with a tilt that can be adjusted by grabbing the two sides of the monitor and moving it to the desired angle.
2. Pull-Out Laptop Tray - can accommodate devices up to 1.8"(h)x19"(w)x12.25"(d)
3. Height Adjustment Switch - which only functions when the TecTern is powered (see pg.3)



TO GAIN ACCESS TO THE INTERNAL STORAGE AND COMPONENTS, THE TOP DOOR ASSEMBLY NEEDS TO BE REMOVED.

1. Remove the 2 thumb screws which lock the door assembly in position.
2. Slide the door assembly approx. 1"- 2" forward and lift up, off of the *TecTern* crown.



PROPRIETARY AND CONFIDENTIAL:
THE INFORMATION CONTAINED IN THIS DRAWING IS THE SOLE PROPERTY OF EGAN VISUAL INC. ANY REPRODUCTION IN PART OR AS A WHOLE WITHOUT THE WRITTEN PERMISSION OF EGAN VISUAL INC IS PROHIBITED.



EGAN VISUAL INC.
300 Hanlan Road
Woodbridge, ON L4L 3P6

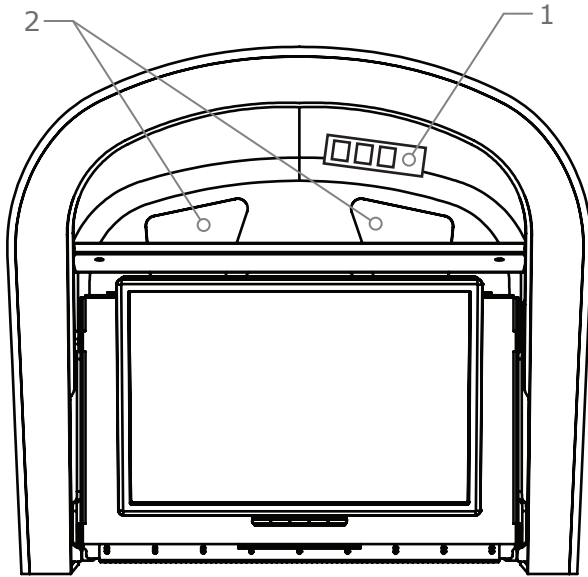
Tel: (905) 851-2826 Fax: (905) 851-3426
(800) 263-2316 Email: evc@egan.com



EGAN TecTern

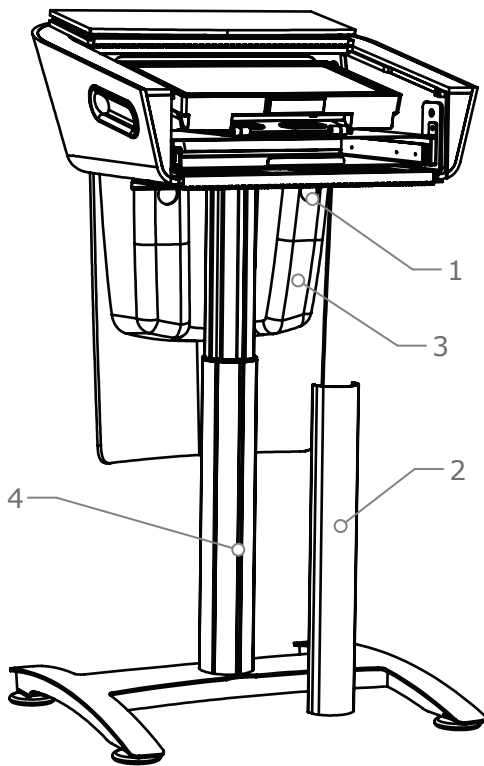
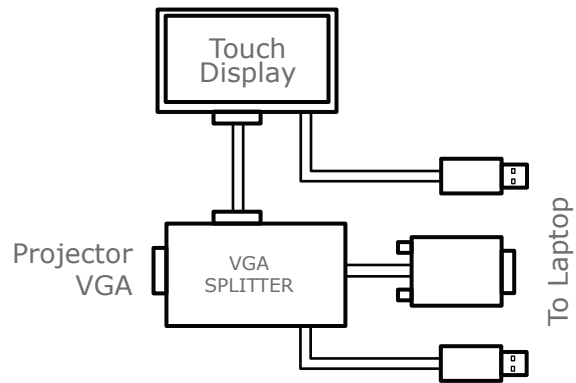
PRODUCT CODE: TMTM	MATERIAL: --	DRAWN BY: G.H	DATE DRAWN: 17/06/2011
RMC: --	FINISH: --	APPROVED BY: J.W	DATE APPROVED: 17/06/2011
NC CODE: --	DO NOT SCALE DRAWING	SCALE: NTS	UNITS: INCHES
GENERAL TOLERANCE: ± 0.010 UNLESS SPECIFIED OTHERWISE	DRAWING NO:	SHEET: 2 OF 3	





INSIDE THE BACK STORAGE ARE:

1. Electrical Power Bar
2. Pass Through Holes - to access the lower storage bucket
3. VGA Video Splitter - see diagram below



EXTERNAL WIRING:

1. Run the a powered extension cord into one of the lower bucket openings and connect it to the power bar.
2. Bring *TecTern* to its full height and remove the cable retaining panel.
3. Pass cables (ie: Projector VGA, Network + Audio) through the lower bucket opening and position within *TecTern* as required. Leave any excess wire in the lower bucket.
4. Run the exposed cables along the presenter side of the post and replace the cable retaining panel.

PROPRIETARY AND CONFIDENTIAL:
THE INFORMATION CONTAINED IN THIS DRAWING IS THE SOLE PROPERTY OF EGAN VISUAL INC. ANY REPRODUCTION IN PART OR AS A WHOLE WITHOUT THE WRITTEN PERMISSION OF EGAN VISUAL INC IS PROHIBITED.

EGAN TecTern



EGAN VISUAL INC.
300 Hanlan Road
Woodbridge, ON L4L 3P6

Tel: (905) 851-2826 Fax: (905) 851-3426
(800) 263-2316 Email: evc@egan.com



PRODUCT CODE: TMTM	MATERIAL: --	DRAWN BY: G.H	DATE DRAWN: 17/06/2011
RMC: --	FINISH: --	APPROVED BY: J.W	DATE APPROVED: 17/06/2011
NC CODE: --	DO NOT SCALE DRAWING	SCALE: NTS	UNITS: INCHES
GENERAL TOLERANCE: ± 0.010 UNLESS SPECIFIED OTHERWISE	DRAWING NO:	SHEET: 3 OF 3	

