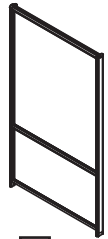


V-Series Mobile & V-Series GlassWrite Mobile

Installation Instructions
VPF, VSF, VCF, VGC, VGS

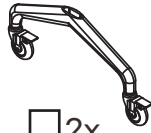


□ 1x



1/4" - 20 x 1 1/2"

□ 2x

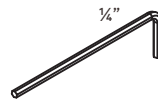


□ 2x



1/4"

□ 2x

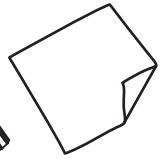


1/4"

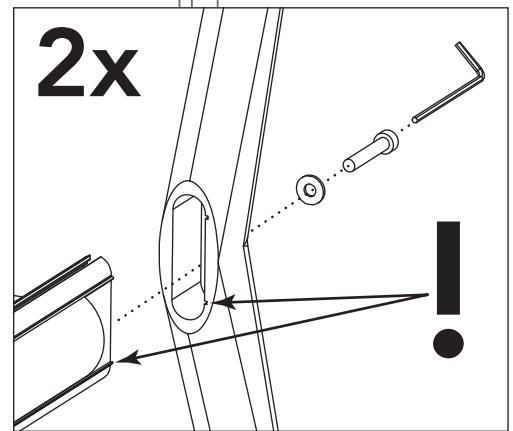
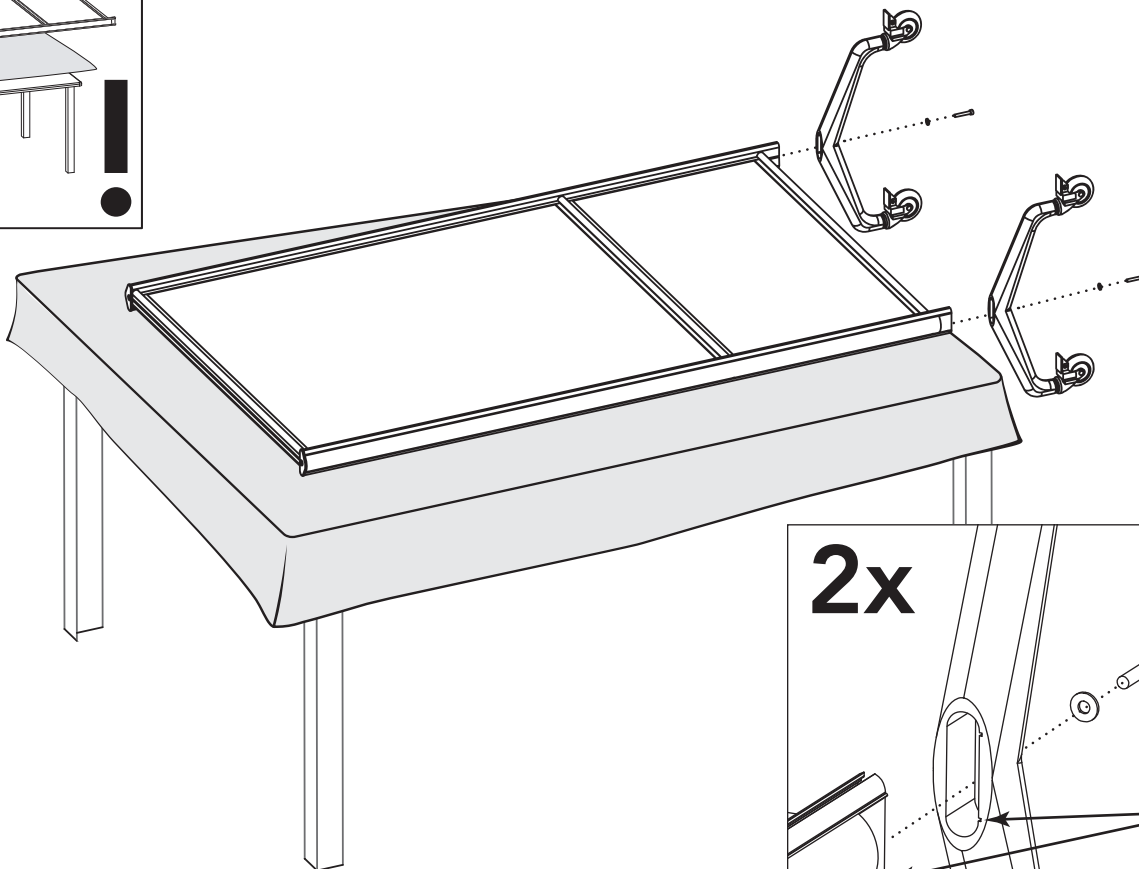
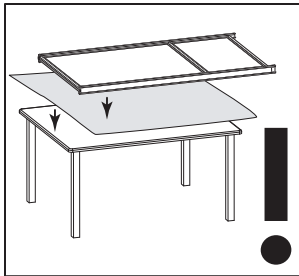
□ 1x



□ 2x



□ 1x



Production/Quality Control Sign-Off

Name: _____

Signature: _____

Name: _____

Signature: _____



<http://goo.gl/ABFyK>