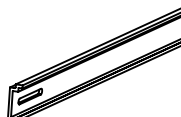
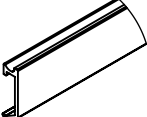
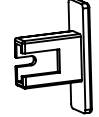

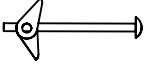
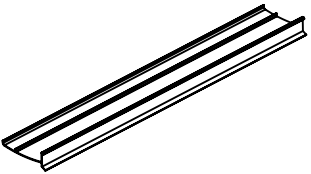
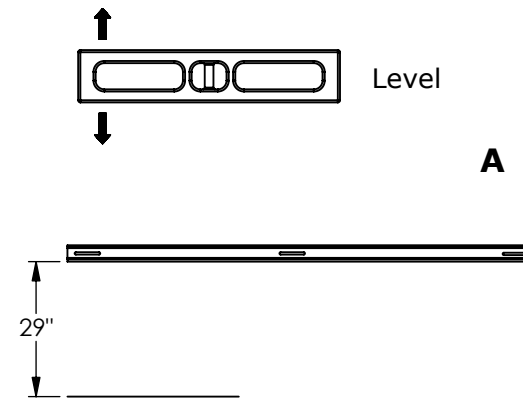


Tools Required

- Phillips Screw Driver
- 1/2" Speed Bore Drill Bit
- Tape Measure
- Electric Drill
- Level
- Pencil

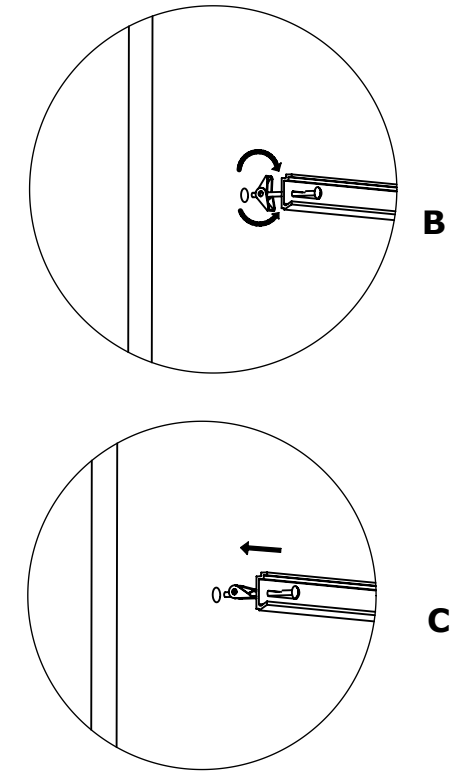
Assembly Components

- 1 Aluminum Track 
- 1 Plastic Facing 
- 2 Safety End Caps 
- 2 Securing Screws 
- Toggles 
- 1 Rail 

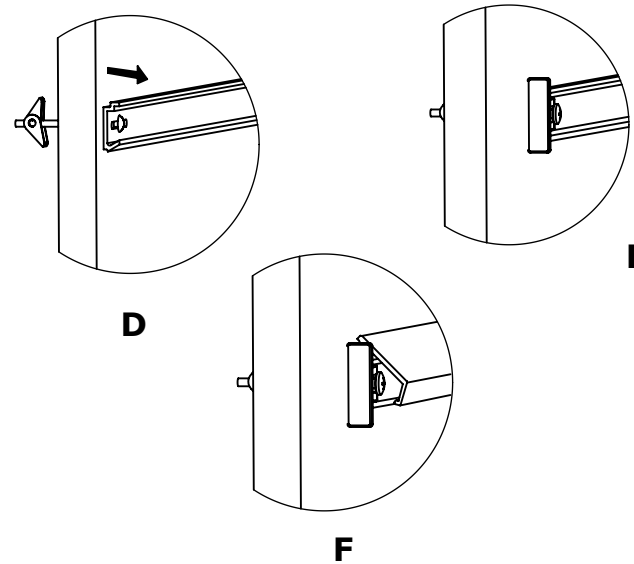


1. To install track, first mark wall 29" or desired height from the floor with your pencil as shown in **A**.
2. Next hold track so bottom edge is on pencil mark and adjust leveling of track as required. Then mark all mounting slots with your pencil as shown.

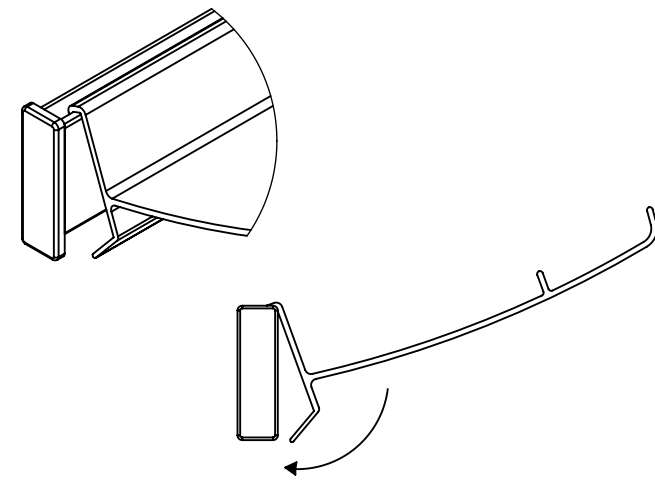
CAUTION: Ceilings and floors may not always be completely parallel, so adjust track level accordingly if necessary.



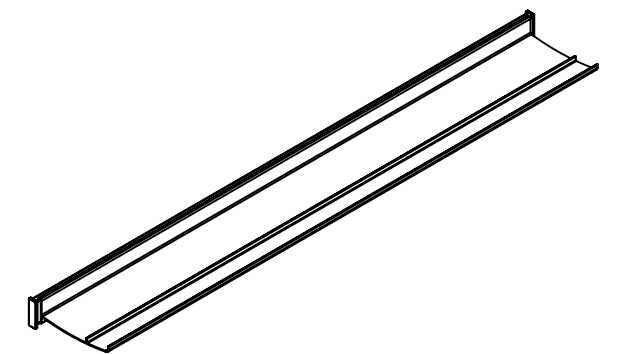
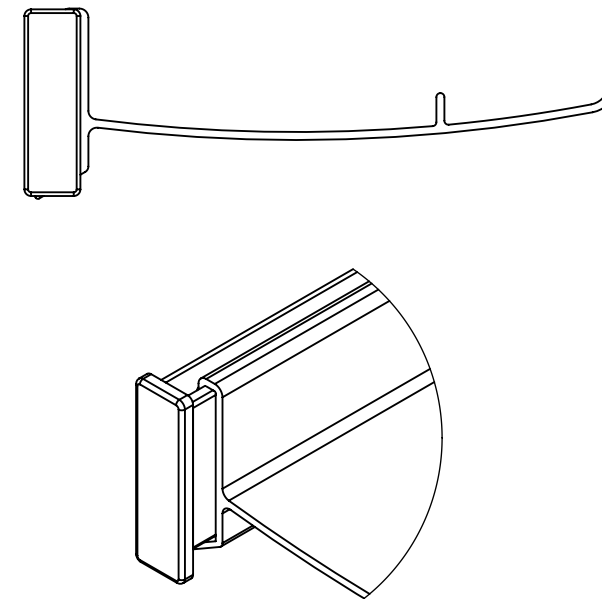
3. Drill 1/2" holes in wall at marks and fit toggle bolts through track and dry wall, see **B** and **C**.



4. Ensure toggle is fully open and tighten as you pull track out to as shown in **D** to keep toggle bolt from spinning.
5. Install plastic safety end cap in each end and fasten with supplied screw as shown in **E** before installing the plastic facing.
6. Place plastic facing onto track then snap down firmly into position as shown in **F**.



Hang Rail onto the System track.



Comments
or
Questions?

CALL US!

USA
&
CANADA : 1-800-263-2387